

BB Edition

HILL'S

THUNDERBIRDCENTER

"Everything you need .. to make your vision come true!"



Illustrated
1955-1957 Thunderbird Parts Catalog



Hills Thunderbird Center & Hill's Classic Cars Restoration

Hill's Thunderbird Center along with Hill's Automotive are very pleased to be a part of your restoration, whether it is an automotive part, technical support from our experts in the restoration field, or a partial or complete restoration of your automobile.

Marvin Hill and his staff offer you, the customer, a variety of top of the line parts which include a complete line of reproductions, NOS, and used parts for 1955, 1956, and 1957 Thunderbirds. Also, Hill's offers a new power window setup. Whether doing your own restoration or having our shop restore your car, you can be assured that years of experience and knowledge help to make your vision a reality. Marvin has made a very much loved hobby, which started in 1978 with building his first Thunderbird, into a nationally known and respected business which always aims to put the customer first.

Our shops are open from Monday -Friday from 7:00am to 5:00 pm and Saturdays by appointment. Reaching us may be done by emailing us at tbird1957@frontier.com, calling 740-949-1956 or 740-949-2217, or visiting us on our website at www.hillsresto.com. Please let us know if we can help you "Make Your Vision Come True".

On The Covers

Front

1957 Rare D/F Supercharged Thunderbird 1 of 15 built January 10, 1957 to be able to compete at the Daytona NASCAR race. After this car had a full body off restoration by Hill's Classic Cars it was shown at the CTCI show in San Antonio and received a Gold Medallion and Excellence in Authenticity Award.

Back

Hill's Automotive Classic Car Restorations & Thunderbird Center Parts Company
Grounds 2015

General Information

Hill's Thunderbird Center Parts Catalog 2023

PRICES ARE SUBJECT TO CHANGE WITHOUT NOTICE

ALL PRICES ARE CURRENT ONLINE AT www.hillsresto.com

Using our online ordering. Please use complete part numbers

When ordering and do not us part numbers from the illustrations.

Part descriptions state Sets. Pair or Kit, then the price is for Sets, Pair or Kit.

Prices are US dollars. Availability of parts can change day to day.

We use UPS, US Postal Service and Freight Trucks for shipping.

"Make your Dreams come True"

"Want to Join a Thunderbird Club - See Info Below"



www.ctci.org 55/57 Thunderbirds



www.intl-thunderbirdclub.com
1955-2005 Thunderbirds



www.vintagethunderbirdclub.net

GIFT CERTIFICATES ARE AVAILABLE

Order:866-949-1956 Tech:740-949-2217 Email:tbirdcenter@sprintmail.com	
	Gift Certificate Number _____
	Valid Through: ___/___/___
	Gift Certificate Value \$ _____
Presented To: _____	
Visit: www.hillsresto.com	Authorized By: _____
<small>"Redeemable for Full Face Value or Store Credit at "Hill's Automotive Classic Cars & Parts" "Not Redeemable for Shipping Charges"</small>	

Call Us at 866-949-1956

Table of Contents

1

6	Front Hub	61	Clutch Parts
7	Continental	62	Auto Gaskets/Cooler
8	Wheel Covers	63	Auto Trans Case
9	Spare Trunk	64	Trans Linkage
10	Brake Booster	65	Park Pawl-Servo Band
11	Booster Parts	66	Automatic Shifter
12	Front/Rear Brakes	67	Auto Shifter Parts
13	Brake Parts	68	Torque Convertor
14	Brake System	69	Auto Trans Gears
15	Emergency Brake	70	Radiator Install
16	Master Cylinder	71	Radiator Parts
17	Brake Lines	72	Grille
18	Brake/Clutch Pedal	73	Grille Parts
19	Disc Brakes-Parts	74	Water Pump / Parts
20	Front Suspension	75	Cooling Parts
21	Front Sus Parts	76	Elec / Fan / Belts
22	Steering Linkage	77	Heater Parts
23	Steering Parts	78	Fuel System
24	M-Steer Gearbox	79	Fuel Parts
25	Gearbox Parts	80	Fuel Lines / Filter
26	Steering Column	81	Fuel Pump / Intake
27	Column Parts	82	Carb 55-56 4BBL
28	Steering Pump	83	Carb Parts 55-56
29	Steer Pump Parts	84	Carb 57 4BBL
30	Steering Parts-Kit	85	Carb Parts 57
31	Steering Ram-Valve	86	Accelerator Linkage
32	Steering Ram-Valve	87	Accel Linkage Parts
33	PWR Steer Hoses	88	Air Cleaners
34	Rear Driveshaft	89	Choke Parts
35	Rear Carrier	90	Exhaust Man/Riser
36	Rear Axle	91	Generator/Alternator
37	Rear Axle Parts	92	Battery Grommets
38	Body Mounting	93	Battery Cables
39	Front Swaybar/Shocks	94	Battery Tray
40	Rear Suspension	95	Battery Tray Parts
41	Rear Sus Parts	96	Starter / Parts
42	Exhaust 55	97	Plug Wire Grommet
43	Exhaust 56	98	Ignition Parts
44	Exhaust 57	99	Dist/Wires/VacLines
45	Exhaust Parts	100	Distributor 55-56
46	Eng. Gaskets/Sender	101	Dist Parts 55-56
47	Camshaft/Pistons	102	Distributor 57
48	Crankshaft	103	Distributor Parts 57
49	Valve Covers	104	Headlight Assy
50	Oil Pump / Pan	105	Park Lamp 55-56
51	Oil Filter-PCV	106	Parking Lamp 57
52	Engine Mounts	107	Turn Signal Parts
53	Engine Steady Rest	108	Taillamp 55-56
54	STD Transmission	109	Taillamp 57
55	Standard Parts	110	License Lamp Parts
56	Standard Shifter	111	Horn Ring 55
57	STD Shifter Parts	112	Horn Ring 57
58	STD Trans Covers	113	Bulbs / Junctions
59	Overdrive Parts	114	Wiring 55
60	Clutch	115	Wiring 56

116	Wiring 57	171	Door Strikers
117	Relay/Breaker/Fuse	172	Door Outer Handle
118	Window Regulator	173	Door Inner Handle
119	PWR Window Parts	174	Window Scissors
120	Power Seat	175	Power Window Kits
121	Power Seat Parts	176	Interior Door Parts
122	Backup Lamp 55	177	QTR Panel / Skirts
123	Backup Lamp 56	178	Rear Hold Down
124	Fender Seal/Shield	179	Trunk Lid/Lock 55-56
125	Fender Seal/Shield	180	Trunk 57
126	Hood Parts	181	Trunk Mats/Boards
127	Hood Parts	182	Hardtop
128	Jacks	183	Porthole/Headliner
129	Speedometer Parts	184	Top Weatherstrips
130	Tachometer Parts	185	Top Clamps
131	Wiper Motor Parts	186	Top Rear Handles
132	Wipers / Blades	187	Back Glass / Trim
133	Wiper Parts	188	Soft Top
134	Washer Pedal/Mirrors	189	Soft Top Pins
135	Front Bumper 55-56	190	Soft Top Seals
136	Front Bumper 57	191	Soft Top Swingbar
137	Rear Bumper 55	192	Soft Top Covers
138	Rear Bumper 56	193	Seat Parts
139	Rear Bumper 57	194	Seat Hardware
140	Air Ducts	195	Interior Kits/Seat
141	Air Duct Parts	196	Int-Arm,Back,Carpet
142	Heater Blower	197	Int-Door, Dash
143	Heater Parts	198	Int-Drop, Kick, QTR
144	Defroster Parts	199	Int-Visor, Pad Dash
145	Heater Hose	200	Chrome Trim 55
146	Blower Motor Parts	201	Chrome Trim 56
147	Heater Control/Cable	202	Chrome Trim 57
148	Air Conditioning	203	Trim Packages
149	Firewall Pad/Grommet	204	Sheet Metal
150	Floor Covers/Plugs	205	Metal-Front
151	Side Air Vents	206	Metal-Fender, Door
152	Side Vent Parts	207	Metal-Door, QTR
153	Windshield / Frame	208	Metal-Floor, QTR
154	W/S Inside/Windwing	209	Metal-Rear Quarter
155	Visors/Padded Dash	210	Metal-Trunk / Rear
156	Dash Trim	211	Metal-Brace/Support
157	Glove Box	212	Repaint Kits
158	SPD Cluster 55-56	213	Decals
159	SPD Cluster 57	214	Decals
160	Dash 55-57	215	Glider/Hoist/Acc.
161	Dash Bezel Switches	216	Console/Cover/Belts
162	Dash Bezel Lighter	217	Mats/Trunk/Floor/Bags
163	Map Light/Knob Kit	218	Paint / Tools
164	Clocks / Radios	219	Books
165	Radio Parts	220	Books / CTCI
166	Door	221	Clips
167	Door Pillar/Seals	222	Fittings
168	Door Garnish/MLDG	223	Grommets / Studs
169	Door Trim/Channels	224	Screws/Nuts/Keys
170	Door Latch / Parts		

	- A -		BUSHING
AFRAME BUSHINGS	21		IDLER ARM 22-23
ACCELERATOR			MASTER CYL ROD 16
LINKAGE	86-87		REAR SPRINGS 40-41
PEDAL	86-87		SHIFTER 66-67
AIR			SHOCK MOUNTING 39-40
CLEANER	88		STARTER 96
CONDITIONER	148		STABILIZER 39
DUCTS	140		
SCOOP	140		- C -
VENTS	151-152		CABLE
ALTERNATOR KIT	91		BATTERY 92-93
ANTENNA	165		EMERGENCY BRAKE 14-15
	- B -		HEATER CONTROL 153
BACK GLASS HARDTOP	187		HOOD RELEASE 126-127
BALL JOINT	20-21		IGNITION 92-93
BATTERY			SPEEDOMETER 129
BOLTS & CLAMPS	94-95		STARTER 92-93
CABLES	92-93		TACHOMETER 130
TRAY	94-95		VENT CONTROL 140,147
QUICK DISCONNECT	92, 215		CAR COVERS 215
HOLDDOWN	94-95		CAP
HEAT SHIELD	94-95		BREATHER 49
BEARING			DISTRIBUTOR 100-103
CLUTCH	60-61		GASOLINE FILL 79
FRONT WHEEL	6		HUBCAPS 8
GENERATOR	91		MASTER CYLINDER 16
REAR END	34-37		POWER STEERING 28-29
STEERING	24-25		RADIATOR 71
BELT			CARBURETOR
AIR CONDITIONER	76		AIR CLEANER 88
FAN & PWR STEERING	76		FUEL SCREEN 80,83,85
SEAT SAFETY	216		GASKETS 82-85
BODY PANELS	204-211		LINKAGE 86-87
BODY SHIMS	38		MANUALS 219
BOOKS	219-220		NEW (1957) 85
BOOTS			REBUILD KITS 83,85
CLUTCH	60-61		CARPET 196
SHIFTER	57		CART HARDTOP (GLIDER) 215
TRANS OUTPUT SHAFT	63		CHOKE PARTS 89
BRAKE			CIGAR LIGHTER 162
BOOSTER	10-11		CLAMPS
CABLES	13-15		EXHAUST PIPES 42-45
CLIPS	15		HEATER HOSE 77
DISC KIT	19		HOSE KIT 77
DRUMS	6		POWER STEERING 30-33
EMERGENCY	14-15		RADIATOR HOSE 70-71
HOSES	15		TOP HOLDDOWN 185-186
LT SWITCH-MECHANICAL	19		CLIPS
LINES - STEEL & SS	17		BRAKE LINE 14-15,17
MASTER CYLINDER	16		MISC 221
PEDAL & PADS	18-19		WIRE HUBCAPS 8
SHOES	12-13		CLOCK 164
STOPLIGHT SWITCH	11,19,107		CLUTCH
WHEEL CYLINDER	12-13		DUST SHIELD 60-61
BULBS			DISC 61
COMPLETE LIST	113		LINKAGE 56-57
HEADLAMP	104		COCKPIT COVER 216
KITS	113		COIL
BUMPER			IGNITION 98
AXLE	40-41		RESISTOR 98
BRACES	135-139		CONSOLE SEAT 216
DECK LID	179-180		CONTINENTAL KIT 7
DIFFERENTIAL	41		CONVERTIBLE TOP 192
GLOVE BOX	157		COOLING 70-77
HOOD	127		CRANKSHAFT PULLEY 48
REAR SPRINGS	40-41		CROSS-FLAG EMBLEM 200-203
BUSHING			CUSHION SEAT FOAM 193-194
CLUTCH	60-61		
DEFROSTER	144		- D -
DOOR HINGE	173		DASH
FRONT SUSPENSION	20-21		BEZEL 160-163
			COVERING 197
			EMBLEM 156-157

Index

- DASH
 KNOBS.....156-163
 LENSES.....159
 LIGHTS.....113
 TRIM SETS.....156
- DECALS
 COMPLETE LIST.....213-214
 SETS.....214
- DECK LID PROTECTOR.....215
- DEFLECTOR
 AIR.....205
 CHOKE.....89
 EXHAUST.....43-44
 RADIATOR SIDE.....205
 REAR BUMPER.....137-139
 STONE.....73,
 136-139
- DIPSTICK
 ENGINE OIL.....51
 TRANSMISSION FLUID.....63
 TUBE-ENGINE OIL.....51
 TUBE-TRANS FLUID.....63
- DISC BRAKES.....19
- DISTRIBUTOR
 BUSHINGS.....100-103
 CAP.....101,103
 MANUAL.....219
 REBUILD PARTS.....100-103
- DIFFERENTIAL.....34-37
- DIMMER SWITCH.....107
- DOOR
 CHECK STRAP.....174
 GAS FILLER.....179
 GLASS.....169
 GLASS RUN.....167
 HANDLES.....173-174
 LATCH PARTS.....170-171
 LOCK PARTS.....172
 PANELS.....176,197
 STEP PLATES.....150
 UPHOLSTERY.....194-199
 VENT.....152
 WEATHERSTRIPS.....167,169
- DRINK HOLDER.....216
- DROP CURTAIN.....178,198
- DUCTS FRESH AIR.....140-141
- E -**
- ELECTRICAL CONNECTORS.....114-116
- ELECTRIC
 FAN KIT.....76-77
 FUEL PUMP.....81
 WIPER KIT.....131
- EMBLEM
 CREST.....200-203
 HOOD.....126,
 200-203
 NOSE PANEL.....200-203
 SCRIPT.....200-203
 V-8 GLOVE BOX.....157
 V-8 BODY SIDE.....200
- EMERGENCY BRAKE CABLE.....14-15
- ENGINE
 GASKET KIT.....46-47
 PARTS.....46-53
 STEADY REST.....53
 COIL (55/57).....98
 COIL WIRE.....99
 IGNITION RESISTOR.....98
 OIL DIPSTICK.....51
 OIL PRESSURE SENDER.....46,51
 RADIATOR CAP.....71
 RAD HOSE CLAMPS.....71
- EXHAUST
 CLAMPS.....42-45
 COMPLETE KITS.....42-44
 DEFLECTORS.....43-44
 GASKETS.....46-51
 HANGERS.....45
 HEAT RISER.....45,90
 MANIFOLDS.....45,90
 MUFFLERS.....45
 PAINT.....218
 PIPES.....42-44
 EXTERIOR TRIM KITS.....200-203
- F -**
- FAN
 BELT.....76
 BLADES.....75
 ELECTRIC KIT.....76-77
 HEATER BLOWER.....146
 SHROUD.....76
 SPACER.....75
- FENDER COVER.....215
- FILTER
 AIR CLEANER.....88
 AUTOMATIC TRANS.....63
 FUEL.....80
 OIL-ENGINE.....51
 POWER STEERING.....29
- FIREWALL PINS.....149
- FITTINGS - MISC.....222
- FLOAT
 CARBURETOR.....83-85
 FUEL SENDING UNIT.....79
- FLOOR MATS.....217
- FLOOR PAN DEADNER.....196
- FLYWHEEL RING GEAR.....48,68
- FRONT SUSPENSION.....20-21
- FUEL-CHECK VALVE.....80
 CLIP AT FRAME.....80
 FILTER.....80
 FLEX LINE.....81
 GAUGE.....158-159
 LINES.....80
 LINE UNION.....80
 PUMP.....81
 SENDING UNIT.....79
 TANK.....79
 TANK STRAPS.....117
- FUSES.....117
- G -**
- GASKETS
 ANTENNA.....165
 CARBURETOR.....82-85
 CHOKE.....89
 BACKUP LENS.....122-123
 BRAKE.....13
 ENGINE KITS.....46-51
 FUEL FILTER.....80
 HEADLAMP.....104
 HEATER.....143
 LICENSE LAMP.....110
 OIL PAN.....50
 PARKING LAMP.....105-106
 VALVE COVER.....49
 TAILLAMP.....108-109
 WATER PUMP.....74
- GAS TANK
 BOLT-MOUNTING.....79
 SENDING UNIT.....79
 PADS.....79
 STRAPS-MOUNTING.....79
 STAPS-FILLERNECK.....79
 VENT HOSE.....79
- GAUGE
 FUEL.....158-159
 TACHOMETER.....130
 TEMPERATURE.....158-159
- GEAR
 SHIFTER.....56-57
 60,67
 SPEEDOMETER-DRIVEN.....129
 TACHOMETER-DRIVEN.....130
 TRANSMISSION-STD.....54-61
- GENERATOR
 BEARINGS.....91
 BRUSHES.....91
 DECAL.....213
 MOUNTING BRACKETS.....91
 OVERHAUL KIT.....91
- GLASS
 DOOR.....169
 HARDTOP.....183,187
 PORTHOLE.....183
 WINDSHIELD.....153
 WINDWING.....154,166,
 169
- GLOVE BOX.....156-157
- GRILLE.....72-73
- GROMMETS
 MISC.....223
 PLUG WIRES.....97
- H -**
- HALOGEN HEADLAMPS.....104
- HANDELING KIT,SUSPENSION 39
- HANDLE
 DOOR.....173
 EMERGENCY BRAKE.....15
 JACK.....128
 REMOVAL TOOL.....218
 TRUNK.....180
 TURN SIGNAL.....107
- HARDTOP
 CLAMPS.....185
 BACK GLASS.....187
 GLIDER.....215
 HEADLINER.....183
 HOIST KIT.....215
 PORTHOLE.....183
 STAINLESS TRIM.....187
 TACK STRIP SET.....183
 WEATHERSTRIPS.....184
- HEADLAMP.....104
 WIRING GROMMET.....113
- HEADLINER.....183
- HEAT SHIELD
 MASTER CYLINDER.....16
 MUFFLER.....45
 SPARK PLUG WIRES.....99
- HEATER
 BLOWER MOTOR.....146
 CHAMBER.....143-144
 CONTROL CABLE.....147
 CORE.....143
 DUCTS.....143,146
 GASKETS.....143-144
 HOSE.....77
 HOSE CLAMPS.....77
 KNOBS.....142,147
 MANUAL CONTROL KIT.....77
 SWITCH-MOTOR.....142
 VALVE.....77,145
 WIRE-MOTOR.....114-116
 142
- HOOD.....127
 RELEASE TOOL.....218
- HORN
 RELAY.....112
 RING.....111-112
- HOSE
 BRAKE.....15
 CLAMP KIT.....77
 DEFROSTER.....144
 GAS TANK VENT.....79
 HEATER.....77
 POWER STEERING.....33
 RADIATOR.....71
 VACUUM.....145
 WASHER.....133
- HUBCAPS.....8
- I -**
- IGNITION
 SWITCH.....96
 TUNE-UP KIT.....98
 SPARK PLUG WIRES.....99
 INVERTER-POWER 6V TO 12V 165
- J -**
- JACK
 HOLDDOWN STRAP.....128
 JACKING PLATES.....135-139
 SPOON.....128
- JUNCTION BLOCKS.....113
- K -**
- KEYS.....217
- KNOB
 DASH.....163
 DOOR LOCK.....171
 HEATER.....162
 KEY.....172
 LIGHTER.....162
 LIGHT CONTROL.....161
 RADIO.....165
 SIDE VENT.....151
- L -**
- LAMPS
 BULBS.....104,113
 LED ASSEMBLIES.....108-109
- LG OPENING THERMOSTAT.. 75
- LED-(LIGHT EMITTING DIODE)
 TAIL LAMPS.....108-109
 TURN SIGNAL FLASHER... 107
- LENS
 BACKUP.....122-123
 DASH.....159
 HEATER FACEPLATE.....147
 LED TAIL LAMP.....108-109
 LICENSE.....110
 MAP LIGHT.....163
 PARKING.....105-106
 RADIO DIAL.....165
 SHIFT SELECTOR.....67
 TAILLAMP.....108-109
- LIGHTER - CIGARETTE.....162
- LICENSE
 CLIP - WIRE.....221
 LENS.....110
 LAMP ASSEMBLY.....110
 PLATE FRAMES.....215
 PLATE HOLDER.....110
 WIRE.....110
- LITERATURE.....219-220
- LOCK
 BEZEL-GLOVE BOX.....156-157
 DECK LID.....179,186
 DOOR.....172
 HOOD.....126
 IGNITION.....96
 SHITER.....216

- LOCK
SETS 172
TOP 179-180
TRUNK 179-180
LOUVER TRIM 200-202
- M -**
- MANUAL
HEATER CONTROL 145
REFERENCE 219-220
SEAT ADJUSTER 193
WINDOW REGULATOR 173
MANIFOLD EXHAUST 45,90
MANUALS 219-220
MAP LIGHT 163
MASTER CYLINDER 16
MAT
CARPET 217
FLOOR 150
TRUNK 217
MECHANICAL BRAKE SWITCH 19
MIRRORS 134
MOTOR
WINDSHIELD WIPER 131
HEATER BLOWER 146
SEAT 121
WINDOW 118
MUFFLERS 42-45
- N -**
- NEUTRAL SAFETY SWITCH 66-67
- O -**
- OIL
DIPSTICK 51
FILL CAP 49
FILTER 51
PAN GASKET 50
PRESSURE SENDER 46,51
OUTSIDE MIRRORS 134
OVERDRIVE 59
- P -**
- PADS
BRAKE 18-19
FIREWALL 149
GAS TANK 79
HEADLAMP MOUNTING 105
RADIATOR MOUNTING 70-71
TAIL LAMP MOUNTING 108-109
PAINT 218
PCV CONVERSION 51
PEDAL PADS 18-19
PINS - MISC 221
PLUGS
DIFFERENTIAL 34-37
ENGINE DRAIN 50
FLOORPAN 150
FREEZE 47
GAS TANKS 79,222
OIL PAN 50
QUARTER PANEL 150
ROCKER ARM SHAFT 49
SPARK PLUGS 98
WHEEL WELL 150
POWER
BRAKE BOOSTER 10-11
STEERING 22-23
WINDOWS 118,175
PULLEYS
CRANKSHAFT 47
FAN 74
GENERATOR 91
HANDBRAKE 14-15
WATER PUMP 74
- PUMP
ELECTRIC FUEL 81
FUEL-MECHANICAL 81
OIL 50
POWER STEERING 28-30
WATER 74
WINDSHIELD WASHER 134
- R -**
- RADIAL TIRES 216
RADIATOR
ALUMINUM 71
CAP 71
CLAMPS - HOSE 71
COMPLETE 71
DEFLECTOR 71
HOSE 71
PAD - MOUNTING 71
RADIO
ANTENNA 165
DIAL LENS 165
KNOBS 165
SERVICE MANUAL 220
SPEAKERS 165
STEREO 164
TUBE SETS 165
REAR
AXLES 34-37
DECK PROTECTOR 215
END 34-37
MAIN SEAL 48
QUARTER 177
SPRINGS 208-209
VIEW MIRRORS 134
REGULATOR
VOLATAGE 91
WINDOW 173-174
REPAINT KIT 212
REPAIR PANELS 204-211
ROCKER ARM COVERS 49
ROD
ACCELERATOR 86-87
CARBURETOR 86-87
CHOKE 89
CLUTCH 56-57
DOOR LOCK 171
KICKDOWN 64
PUSH - VALVE 49
SHIFTER 56-57
SIDE VENT 151
SPINDLE CONNECTING 22-23
TIE ROD ENDS 22-23
- S -**
- SCREWS - MISC 224
SEALS
ACCELERATOR ROD 87
AIR CLEANER 88
AIR DUCT 140-141
FAN SHROUD 71
HEATER 143-144
REAR MAIN 48
STARTER 48
STEERING 22-32
TRANSMISSION 54-69
WINDSHIELD WASHER 134
SEAT
BELT - SAFETY 216
CONSOLE 216
COVERING 195
FOAM 193-194
SEAT
FRAME PARTS 120-121
RELAY 117
WIRING 114-116
SHIFTER LOCK 216
SHIM
BODY 38
DOOR STRIKER 171
SHOCK ABSORBERS 39-40
SHOP MANUALS 219
SIMULATED WIRE WHEELS 8
SKIRTS 177
SOFT TOP
CLAMPS 185-186
COVERING 192
HEADER STAINLESS 187,190
PIN KITS 189
TACK STRIP SET 189
WEATHERSTRIP 190
SPARE WHEEL
CARRIER 7
BOLT/HOLD DOWN 7
SPARK PLUGS 98
WIRES 99
SPEAKERS 165
SPEEDOMETER
CABLE 129
DRIVE GEARS 129
LENS 158
SPRINGS
BRAKE SHOE 12-13
BUMBERS 40-41
COIL - FRONT 20-21
CLUTCH RELEASE 61
DOOR & WINDOW 172-174
DOOR LATCH 170
EMERGENCY BRAKE 15
GAS LID 179
GEARSHIFT LEVER 56-57
HEADLAMP BUCKET 104
HOOD HINGE 127
HOOD LATCH 126
HORN RING 112
IGNITION SWITCH 96
PARK BRAKE 15
REAR LEAF 40
SEAT ASSIST 121,193
SHOCK COVERING 40
THROTTLE 87
TOP HANDLE - REAR 186
TURN SIGNAL 107
VENT CONTROL 151
WASHER PUMP 134
STABILIZERS FRONT/REAR 39
STAINLESS
BRAKE LINES 17
EXHAUST PIPES 42-45
FUEL LINES 80
MUFFLERS 42-45
STARTER
BRUSHES 96
BUSHINGS 96
CABLE 92-93
DECAL 213
DRIVE 96
RING GEAR 48,68
SEAL 48
SOLENOID 96
TUNE-UP KIT 98
STEERING BOX 24-25
COLUMN 26-27
STEERING-LINKAGE 22-23
WHEEL 26
STEP PLATES 150
STORAGE ITEMS 217
SWITCH
BACK-UP LAMP 67,123
BATTERY MASTER 215
COURTESY LIGHT 113,163
DIMMER 107
HEADLIGHT 160-161
HEATER BLOWER MOTOR 118
IGNITION 96
MAP LIGHT 163
NEUTRAL SAFETY 123
RADIO 163
SEAT 120-121
WINDOW 119
- T -**
- TACHOMETER-CABLE 130
FACE 130
TAIL LAMP 108-109
TEMPERATURE-GAUGE 158-159
SENDER 158-159
THERMOSTAT 75
TIRES 216
VALVES & CAPS 9
TOOLS SPECIALTY 218
TOPS 187,192
TORQUE CONVERTER 68-69
TRUNK 179
TURN SIGNAL 107
- U -**
- UNIVERSAL JOINT 34-37
UPHOLSTERY 194-199
- V -**
- VACUUM-ADVANCE 101-103
CONTROL - HEATER 147
LINES 99
VALVE STEMS 9
VENTILATION SYSTEM 151-152
VISORS 155,199
VOLTAGE DROP RESISTOR 159
- W -**
- WATER PUMP HIGH OUTPUT 74
WEATHERSTRIP-ADHESIVE 167,218
APRON 125
DOOR 167
SOFT TOP 190
HARDTOP 184
TRUNK 180
WHEEL-BEARINGS 6
COVERS 8
CYLINDER 12-13
STEERING 26
WINDOW-GLASS 169
HANDLE 174
REGULATORS 173-174
ROLLERS 173
STOPS 170
WEATHERSTRIP 166-169
WINDSHIELD-CLIP TRIM 153
GLASS 153
WASHER PUMP 134
WEATHERSTRIP 153
WINDWINGS 154,169
WIPER-ARMS 132
BEZEL 131
BLADES 132
MOTORS-VACUUM / ELEC 131
WIRE WHEEL HUBCAPS 8
WIRING DIAGRAMS 219
WIRING CLIPS 221

VEHICLE VIN INFORMATION

Assembly Plant Code
Model Year
Engine Code

Body Style Code
Consecutive Unit

P 6 F H 213215
Serial Number(*P6FH213215*)
"P"- 8 Cyl.OHV Engine-292 cu.in displacement
"6"- 1956 Model
"F"- Assembled at Dearborn Plant
"H"- Thunderbird
"213215" One Hundred Thirteen Thousand Two Hundred Fifteen Car Assembled



Body Type Code—40A - L - XC - 2B - HO - 308—Scheduled Item Number
Body Color Code—Dealer Code
Trim Scheme Code—Production Code



40 -EE6-XA- 1 - 11 - Y - 3 - 1

Body Type Code—Rear Axle Ratio Code
Body Color Code—Transmission Type Code
Trim Scheme Code—Production Date Code
*Trim Deviation—*This also could be after the Trim Code

ENGINE CODES					
Year	Code	Eng.	Carb.	Transmission	HP
1955	P	292	4V	3-Speed	193
1955	P	292	4V	Fordomatic	198
1955	P	292	4V	Overdrive	198
1956	M	292	4V	3-Speed	202
1956	P	312	4V	Overdrive	215
1956	P	312	4V	Fordomatic	225
1956	P	312	4V	3-SP or OD	260
1957	C	292	2V	3-Speed	212
1957	D	312	4V	FM or OD	245
1957	E	312	8V	Any	270
1957	F	312	4V	Any	*300

*Supercharged

EXTERIOR PAINT

1955- A=Raven Black; E=Snowshoe White
R=Torch Red; T=Thunderbird Blue
V=Golden Rod Yellow
1956- A=Raven Black; E=Colonial White
J=Buckskin Tan; K=Fiesta Red
L=Peacock Blue; M=Goldenglow Yellow
X=Navajo Gray; Y=Sunset Coral
Z=Thunderbird Green; T=T-Bird Gray
1957- A=Raven Black; E=Colonial White
F=Starmist Blue; J=Willow Green
N=Gunmetal Gray; Q=T-Bird Bronze
V=Flame Red; X=Dust Rose
Y=Inca Gold; Z=Coral Sand
Colors added or substituted for 1957 colors when 1957 Birds were being built with 1958 Fords.
C=Sun Gold; R=Torch Red; L=Azure Blue
H=Gunmetal Gray; N=Seaspray Green
Some 1957 T-Birds had a trim deviation number after the color code. Example:LL6. This late color deviation is not 100% accurate, and should be considered only as information showing a very late car.

First & Last T-Bird Numbers (Intermixed with Passenger Cars)					
Date	1955	Date	1956	Date	1957
9-9-54	P5FH100005	10-17-55	P6FH102661	9-14-56	D7FH100010
9-14-55	P5FH260557	8-24-56	P6FH359516	12-13-57	E7FH395813
TOTAL	(T-B 16,155)		(T-B 15,631)		(T-B 21,380)

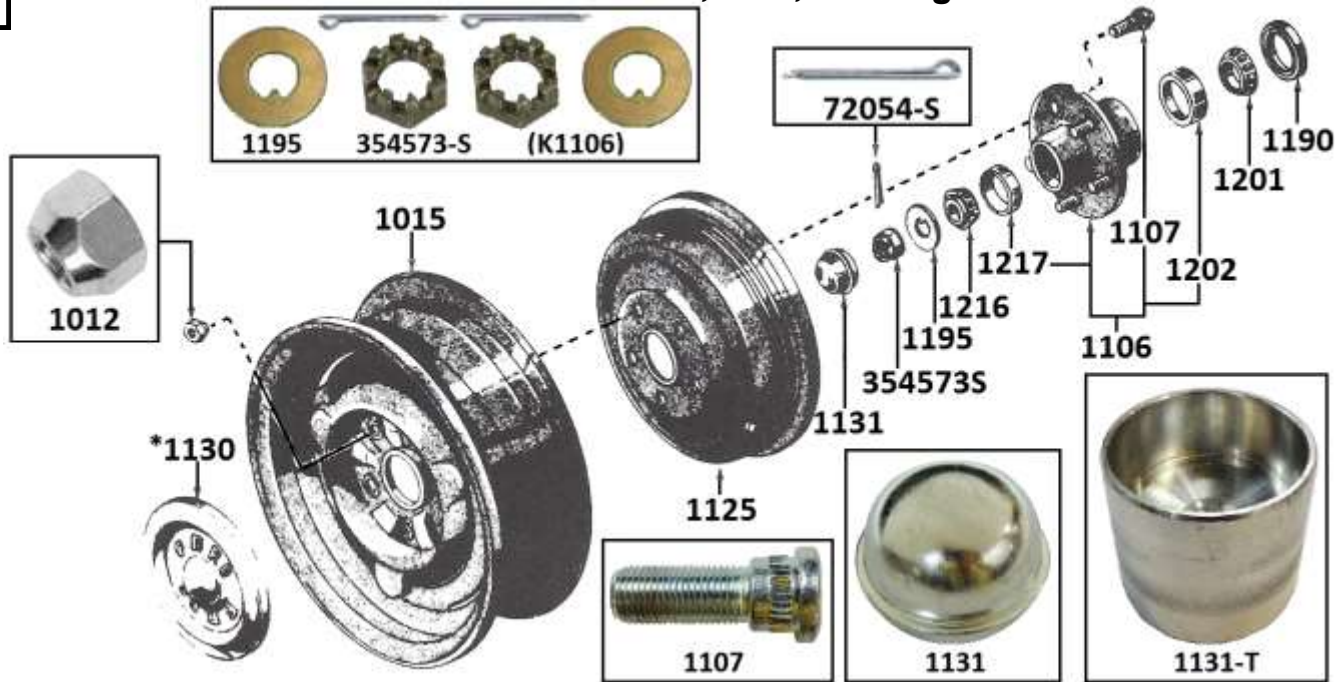
Month of Year Codes					
Year		Year		Year	
Month	First-Second	Month	First-Second	Month	First-Second
January	A N	May	E S	Sept.	J W
February	B P	June	F T	Oct.	K X
March	C Q	July	G U	Nov.	L Y
April	D R	August	H V	Dec.	M Z

INTERIOR TRIM		
THUNDERBIRD - 1955		
XA	Black and White	Early Cars "A" Only
XB	Red and White	Early Cars "B" Only
XC	Turquoise and White	Early Cars "C" Only
XD	Black and Yellow	Early Cars "D" Only
THUNDERBIRD - 1956		
XA	Black and White Vinyl	
XB	Red and White Vinyl	
XC	Dark Peacock and White Vinyl	
XF	Green and White Vinyl	
XG	Brown and White Vinyl	
THUNDERBIRD - 1957		
XA	Pleated Raven Vinyl and Pleated Colonial White	
XH	Pleated Flame Vinyl	
XJ	Pleated Bronze Vinyl	
XK	Pleated Colonial Vinyl	
XL	Pleated Dresden Blue and Pleated Starmist Blue	
XM	Pleated Cumberland Vinyl and Pleated Willow Vinyl	

Transmission Type Codes & Rear Axle Codes		
Code	Transmission	Axle Ratio
1	3 Speed Manual Shift	3.10 to 1
2	Overdrive	3.56 to 1
3	Ford-o-Matic (2-Speed)	3.70 to 1

HILL'S THUNDERBIRD CENTER - 29625 BASHAN ROAD - RACINE, OHIO 45771 - (866) 949-1956
 CHECK OUT OUR CATALOG ON-LINE AT (www.hillsresto.com)
 COMING SOON TO OUR WEBSITE ON-LINE ORDERING
 LOOKING FOR THOSE HARD TO FIND PARTS-REMEMBER WE ARE JUST A PHONE CALL AWAY!

1955/57 Thunderbird Front Wheel, Hub, Bearings and Related Parts



1012	Wheel Lug Nut, Each	1.09	*1130	Wheel Covers & Wheel Cover Sets	See Page 8
1012-K	Wheel Lug Nut Kit, Contains (20-1012 Lug Nuts).....	19.90	1131	Dust Cap, Front Hub	4.85
			1131-T	Dust Cap, installation Tool	18.50



Ford Wheels were Made by Kelsey-Hayes Co. Letters K-H were Stamped near the Lug Holes FoMoCo was Stamped Opposite side of K-H On all Three Years 55/56 Wheel had (4) Openings in the Wheels 1957 Wheels were Solid

1015-A	Wheel-15" x 5" - (55/56, Used Original)	Call
1015-B	Wheel-14" x 5" - (57, Used Original)	Call



1190	Front, Axle Grease Seal	4.75
1193	Gasket, Front Brake Grease Baffle	2.00
1195	Washer, Front Axle.....	9.50



1106	Hub Center Only (55/57)	129.95
1106-K	Front Hub Kit	149.95
1107	Stud, Wheel	3.45
K1106	Kit, Front Hub to Spindle	22.95



1200-AK	Front Wheel Bearing Kit	
Includes:	Wheel Bearings, Races and 2 Seals.....	36.75
1200-BK	Front Wheel Bearing Kit	
Includes:	Bearings, Races, Seals, Gaskets, Dust Caps, Cotter Pins.....	49.95



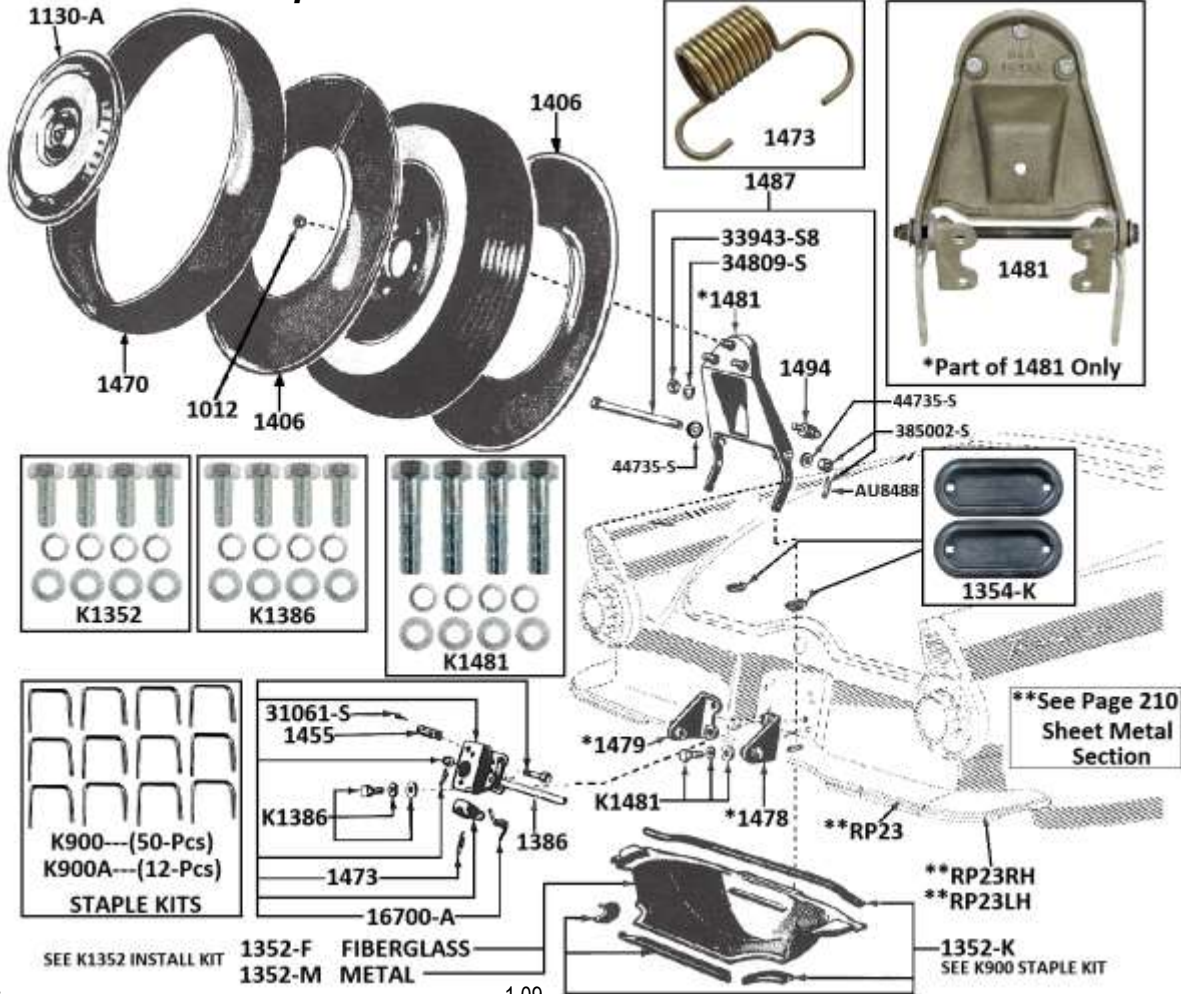
Brake Drums made with detailed features per original specifications, balanced. Made in the USA

1125-A	Brake Drum Front (55/56)	189.95
1125-B	Brake Drum Front (57)	189.95
1126-A	Brake Drum Rear (55/56)	189.95
1126-B	Brake Drum Rear (57)	189.95



1201	Bearing, Front Wheel Inner	8.45
1202	Race, Front Wheel Inner Bearing.....	6.85
1216	Bearing, Front Wheel Outer	8.45
1217	Race, Front Wheel Outer Bearing.....	6.30
1201-K	Bearing & Race Kit, Includes: (1) 1201 & (1) 1202	15.30
1216-K	Bearing & Race Kit, Includes: (1) 1216 & (1) 1217	14.75
72054-S	Cotter Pin.....	0.30
354573-S	Castle Nut.....	2.50

1956 Thunderbird Spare Wheel Continental Carrier and Related Parts

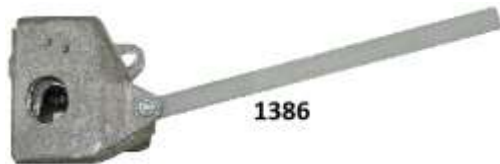


1012	Nut.....	1.09
1130-A	Wheel Cover.....	See Page 8

1354-K	Grommet Set.....	10.85
--------	------------------	-------



1352-F	Stone Guard (Fiberglass).....	185.00
1352-M	Stone Guard (Original Metal).....	Call
K1352	Kit Installation for 1352.....	2.00



1386	Latch Assy. (Used Original).....	Call
1386-H	Latch Assy. (Reproduction).....	140.00
K1386	Kit Attaches 1386 Latch Assy.....	2.80
1406-F	Cover Spare Tire Fiberglass 56.....	165.00
1406-M	Cover Spare Tire Steel with Rubber Bead 56.....	230.00
1455	Bumper Spare Wheel Hinge.....	6.00
1470-F	Ring Spare Wheel Tire Cover Fiberglass 56.....	Call
1470-M	Retainer Ring (Metal).....	Call
1470-S	Retainer Ring (Stainless).....	NLA
1473-E	Spring Continental at 1386-H Latch.....	9.50
1478	Bracket for 1481 RH (Used).....	Call
1479	Bracket for 1481 LH (Used).....	Call
1481	Hinge Assembly Spare Tire (Original).....	Call
1481-R	Hinge Assembly Spare Tire (Reproduction).....	155.00
K1481	Kit, Attaches 1481 Hinge Assembly to Body.....	5.40



1352-K	Seal Kit Stone Guard.....	23.30
K900A	Staple Kit for 1352-K.....	3.70
1353-K	Seal, Grommet, Bumper Kit Includes 1352-K, 1354-K and 1455.....	36.95



AU8488	Cotter Pin.....	0.20
31061-S	Screw to Attach (1455) Bumper. Use with (1386-H).....	0.80
31061-S8	Screw to Attach (1455) Bumper. Original Latch.....	0.20
33943-S8	Nut, Use at (1494) Hinge Pin.....	1.00
34809-S	Lock washer, 1/2".....	0.30
44735-S	Washer Special.....	0.40
385002-S	Nut, Slotted.....	1.35



1487	Bolt.....	10.45
1494	Hinge Pin.....	21.85
16700-A	Spring.....	5.25

1955/57 Thunderbird Wire Wheel, Wheel Covers and Related Parts

ROADSTER WIRE WHEELS

Wire Wheels come with Center Spinner
Specify Spinner: Chrome, Black, Blue, Green, Red



1015-C

- 1015-C Wire Wheel 15" (55/56) Includes Spinner..... 599.00
- 1015-D Wire Wheel 14" (57) Includes Spinner..... 599.00

Original Clip Style Wire Wheel Cover Sets



- 1130-DK Set of 4 with 20 Clips (Red Centers)..... 629.00
- 1130-EK Set of 5 with 25 Clips (Red Centers)..... 789.00
- 1130-FK Set of 4 with 20 Clips (White Centers)..... 629.00
- 1130-GK Set of 5 with 25 Clips (White Centers)..... 789.00



1130-A



1130-B

- 1130-A Full Wheel Cover (55/56) With Medallion Ford Tooling... 149.95
- 1130-AA Full Wheel Cover (55/56) without Medallion..... 90.95
- 1130-B Full Wheel Cover (57) Ford Tooling..... 159.95

CENTER HUBCAP



1130-R



1141 USE WITH 1130-A or 1130-AA

1141

- 1130-R Hubcap, (55) Small Red Painted Center 45.95
- 1130-W Hubcap, (56) Small White Painted Center 45.95
- 1141 Medallion for Full Wheel Covers (55/56) 27.50



1130-C

1130-C Must use 1150 Clip and 1151 Bumper to Install onto Wheels

1130-E and 1130-EV do not require use of 1150 Clips Snaps directly onto Wheel

- 1130-C Simulated Wire Wheel Cover..... 106.20
- 1130-E Wire Wheel Cover Snaps onto Rim like a Full Wheel Cover without the use of Old Style Clips 176.00
- 1130-EV Wire Wheel Cover Same as above, but has a Hole For Valve Stem Extension 176.00

1132-T
Was Supplied with all 1956 T-Birds
Original Equipment
Can be used on other Cars

- 1132-T Tool, Wire Hubcap Removal 10.45



WIRE WHEEL HUBCAP SETS

Clipless Type New Style-Looks just like Originals



1130-E4R (SHOWN)

CLIPLESS TYPE WITHOUT VALVE STEM HOLES

- 1130-E4R Set of 4 for 55 (Red Centers)..... 849.00
- 1130-E4W Set of 4 for 56 (White Centers)..... 849.00
- 1130-E5R Set of 5 for 55 (Red Centers)..... 1059.00
- 1130-E5W Set of 5 for 56 (White Centers)..... 1059.00

CLIPLESS TYPE WITH VALVE STEM HOLES

- 1130-EV4R Set of 4 for 55 (Red Centers)..... 849.00
- 1130-EV4W Set of 4 for 56 (White Centers)..... 849.00
- 1130-EV5R Set of 5 for 55 (Red Centers)..... 1059.00
- 1130-EV5W Set of 5 for 56 (White Centers)..... 1059.00



1150

1150 Includes 1151 Bumper



1151

- 1150 Clip and Bumper, Wire Wheel Cover Retaining..... 4.15
- 1151 Rubber Bumper, Wire Wheel Cover Clip 0.50

1955/57 Thunderbird Spare Tire, Schrader Valves, Caps and Related Parts



TECH TIP: The 1424 should be Painted Gloss Black

1424

1424 Bracket, Spare Tire Holder (57) 38.00



1446

TECH TIP: 1446 Clamp should be Painted Gloss Black

1446 Clamp for Spare Wheel (55) 8.00



1448-A

1448-A Bolt for Spare Wheel (55) 8.85



1448-AR

1448-AR Bolt Bracket Mounts to Tub

1448-AR Bolt, Spare Wheel, 6-3/8" Long, (57) 13.95



1448-BR

1448-BR Bolt Bracket Mounts on Trunk Floor

1448-BR Bolt, Spare Wheel, 5-1/2" Long, (57) 13.95



73860-S

73860-S Pin, Spare Wheel Bolt to Trunk Floor (57) 1.29



73939-S

73939-S Pin, Spare Wheel Plate to Trunk Floor (57) 1.49



352358-S

352358-S Clip, Clevis Pin Retaining 0.90



K1424

K1424 Kit, Spare Tire Hold Down (57) 4.50



1457-A

1457-A Wingnut, Spare Wheel (Exactly Like Original) 13.95



1457-B

1457-B Wingnut, Spare Wheel (Replacement Type) 9.00



1705

1705 Valve Stem Extension, Concourse Correct (57) 13.10



1705-AK

1705-AK Valve Stem Extensions - Package of 4 1705s And 1 Valve Cap for Spare (57) 52.95



1705-BK

1705-BK Valve Extensions - Use with 1130-EV (4 pieces) 9.55



1705-CK

1705-CK Valve Extensions - Use with 1130-EV (5 pieces) 11.45



VALVE556

VALVE556 Valve - Tubeless Tire, 55/56 (Need 5/car) 0.90



VALVE57

VALVE57 Valve - Tubeless Tire, 57 (Need 5/car) 0.90



VALVECAP Valve Caps - Nickel on Brass - Correct for All 55/56's and 57's without Full Wheel Covers (Package of 5 Caps) 3.45

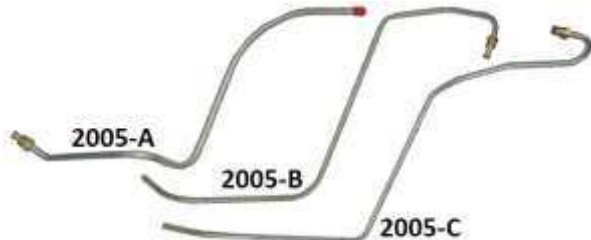
1955/57 Thunderbird Brake Booster and Related Parts - Typical



2005-RA	Brake Booster, Rebuilt Original (55)	479.95
2005-RB	Brake Booster, Rebuilt Original (56/57)	479.95
	Core Charge	350.00
K2005	Kit, Brake Booster (2005) to Bracket (2031)	1.80
359048-S	Rubber Grommet, Power Brake Booster	15.85
62-164	Bolt and Nut for (2350) Band	3.50
62-264	Nut, Tinnerman Control Valve Diaphragm	19.50



2005-RKE	Rebuild Kit Power Booster-15/32" Valve Bore (9-Pieces)	89.95
2005-RKL	Rebuild Kit Power Booster- 7/16" Valve Bore (9-Pieces)	89.95
2005-KK	Rebuild Kit Power Booster	279.95



2005-A	Power Brake Booster Vacuum Line (55)	22.95
2005-ASS	Same as Above Stainless	34.95
2005-B	Power Brake Booster Vacuum Line (56)	26.95
2005-BSS	Same as Above Stainless	41.95
2005-C	Power Brake Booster Vacuum Line (57)	27.95
2005-CSS	Same as Above Stainless	42.95
2005-CE	Power Brake Booster Vacuum Line (Dual 4)	12.95
2005-CESS	Same as Above Stainless	16.95



2005-D	Power Brake Booster Vacuum Line to Convert Passenger Car Booster to T-Bird	15.95
2005-DSS	Same as Above Stainless	24.95
2005-E	Clip to Hold 2005-B & C to 9180 Bracket	1.95
2005-G	Vacuum Hose Flex Power Brake Booster	2.50
2005-GE	Vacuum Hose Flex Power Brake Booster (57-E)	3.50
2005-GF	Vacuum Hose Flex Power Brake Booster (57-F)	3.90
18572-B	Clamp Power Brake Booster Vacuum Hose	4.80

Power Brake Booster Install Kit All the Parts you need to Add Power Brakes to your T-Bird DOES NOT Include Booster and Booster Check Valve

2006-K55	Brake Booster Install Kit - 1955	240.00
2006-K56	Brake Booster Install Kit - 1956	245.00
2006-K57	Brake Booster Install Kit - 1957	255.00



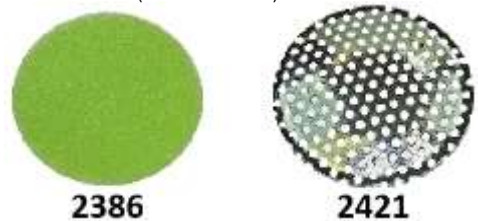
2031-A	Bracket, Power Brake Booster (55)	55.45
2031-B	Bracket, Power Brake Booster (56/57)	55.45
K2031	Kit, Brake Booster Bracket (2031) to Apron	2.65



2076-B	Brass Fitting, Power Brake Booster	12.95
2078-B	Hose, Brake Booster to Frame Block	27.45
2154	Brass Seal, Brake Line (2/Car—4 with Power Brakes)	1.85
2208	Bleed Screw, Wheel Cylinder & Brake Booster	3.10
2276	Bolt, Brake, Master Cylinder & P/B Booster	12.00
2365-A	Check Valve Booster (Rebuilt Original)	75.00
	Core Charge	50.00
2365-R	Check Valve Booster (Replacement)	26.20
39909-S	Bolt, Brake Block and Line Clip to Frame	0.90
351204-S	Copper Washer Gasket, Cylinder End Plug	3.85
353400-S	Elbow Fitting, (2078-B) Flex Hose to Brake Booster	4.50
353706-S	Adapter, P/B Booster to Brake Line	14.20
354446-S	Connector, Brake Front Lines & Stop Light Switch Mounts on Frame	74.70



2368-A	Piston, Booster (55/57)	45.00
2377	Rod, P/B Booster to Large Diaphragm	8.25
2377-S	Same as Above (Stainless Steel)	15.00

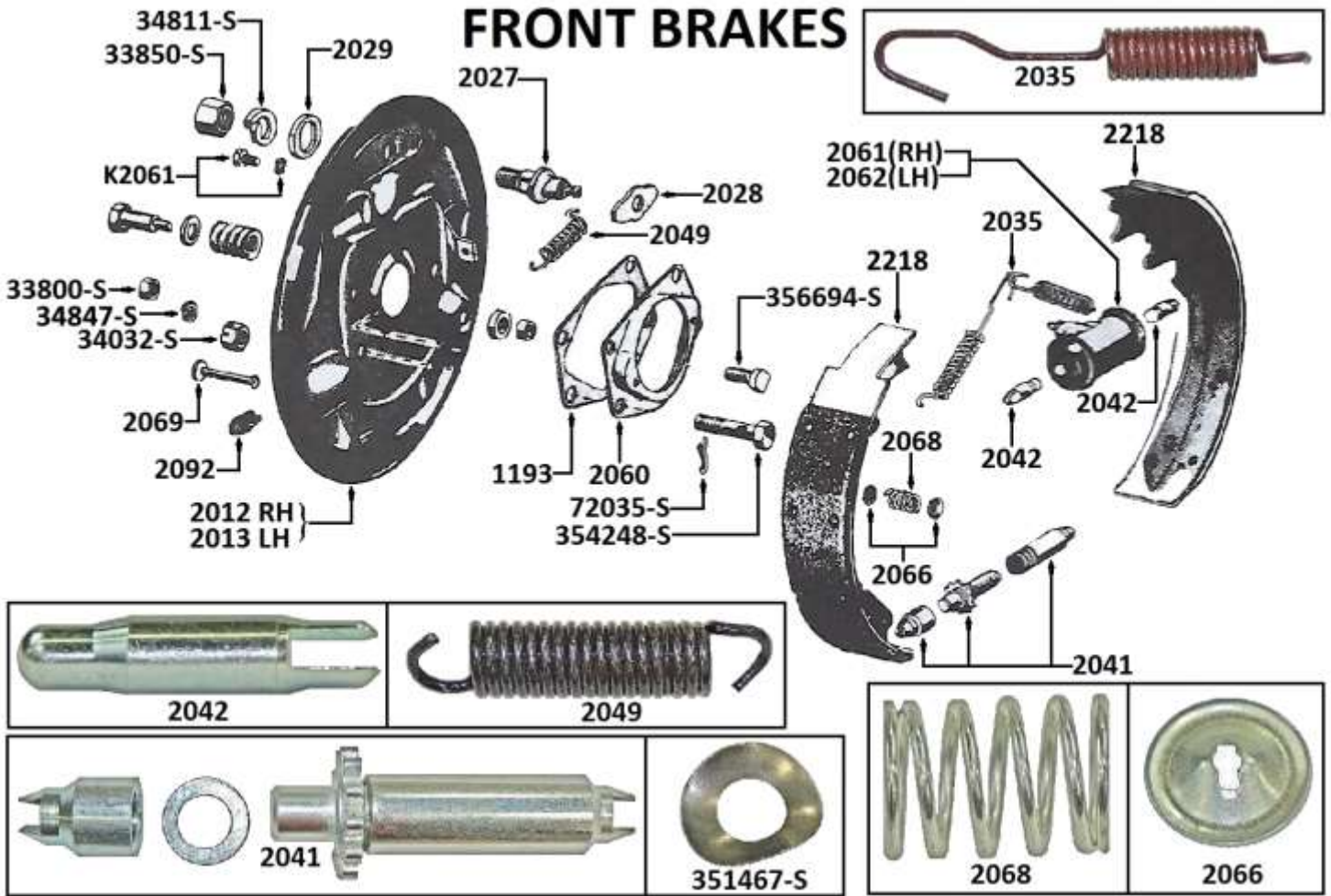


2386	Foam Filter, P/B Booster Control Valve Inlet	2.49
2421	Breather Screen, Brake Booster (Plated)	6.15

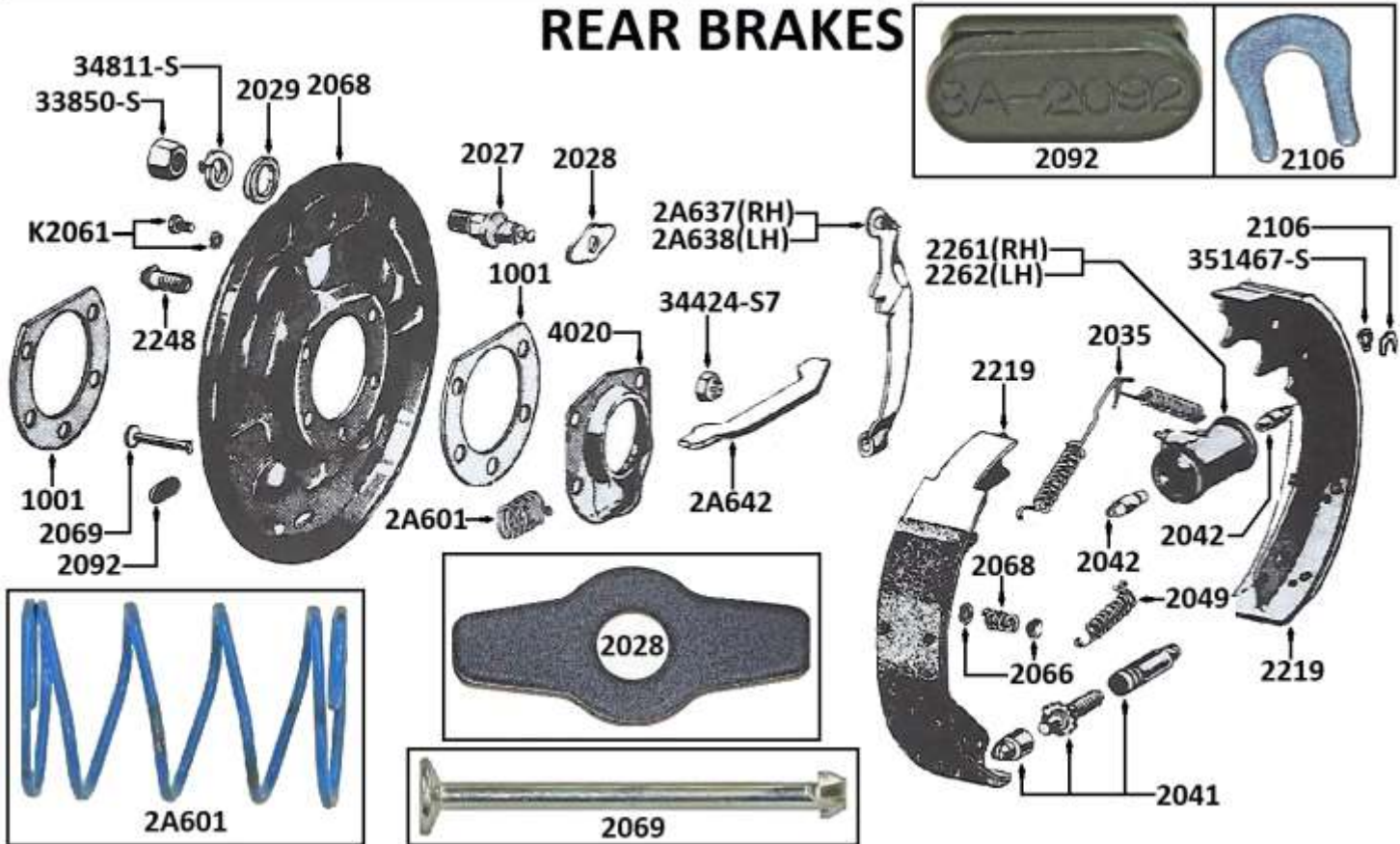


2394	Diaphragm & Pressure Plate P/B Booster Cylinder	69.95
13480	Switch, Brake Stoplight	15.85

FRONT BRAKES



REAR BRAKES



1955/57 Thunderbird Front and Rear Brake Parts - Typical



1001	Gasket, Axle Retainer.....	1.70
1193	Gasket, Front Brake Grease Baffle.....	2.00
2027	Pin, Brake Show Anchor.....	Call
2028	Retainer, Upper Brake Shoe.....	8.45
2029	Washer, Brake Shoe Anchor.....	Call
2035	Spring, Brake Shoe Retracting (Top).....	2.79
2041	Brake Adjuster, (3 pieces).....	12.15
2042	Link, Brake Shoe to Cylinder.....	5.05
2049	Spring, Brake Shoe Adjuster.....	2.10
2060	Backing Plate Flange (Used Original).....	10.00



2061	Brake Cylinder, Front Wheel RH.....	28.95
2062	Brake Cylinder, Front Wheel LH.....	28.95
K2061	Kit, Wheel Cylinders to Backing Plate (Front or Rear).....	3.45
2066	Cup Brake Shoe Hold Down Spring.....	0.75
2068	Spring Brake Shoe Hold Down.....	1.25
2069-1	Pin Brake Shoe Hold Down #1.....	0.75
2069-2	Pin Brake Shoe Hold Down #2.....	0.75
2069-8	Pin Brake Shoe Hold Down #8.....	0.75
2092	Plug Rubber Brake Adjusting Hole.....	0.75
33800-S	Nut, 3/8" - 24.....	0.40
33850-S	Nut, 5/8" - 18.....	0.90
34032-S	Nut, Slotted, 1/2" - 20 x 9/16" Thick.....	2.00
34847-S	Lockwasher, 3/8".....	0.20
34424-S7	Lock Nut, 1/2" - 20.....	1.50
34811-S	Lock Washer, 5/8".....	0.50
72035-S	Cotter Pin, 1/8" x 1.....	0.25
354248-S	Bolt, Spindle to Steering Arm (Used Original).....	Call
354573-S	Nut, Front Spindle.....	2.50
356694-S	Bolt, Front Brake Grease Baffle (Used Original).....	Call

BRAKE SHOE KITS - FRONT & REAR

Includes: Front & Rear Brake Shoes, (4) Wheel Cylinders
Brake Hoses Front & Rear, All the Hardware & Springs
Does Not Include the 2041 Adjusters

2210-A	1955.....	269.45
2210-B	1956.....	269.45
2210-C	1957.....	249.45



2218-A	Brake Shoes, Front (55/56) 11"x 2-1/4".....	44.95
2218-B	Brake Shoes, Front (57) 11"x 2-1/2".....	42.95
2219-A	Brake Shoes, Rear (55/56) 11"x 1-3/4".....	52.95
2219-B	Brake Shoes, Rear (57) 11"x 2".....	54.95
2248-A	Bolt Rear Brake Carrier Plate (55/56).....	Call
2248-B	Bolt Rear Brake Carrier Plate (57).....	9.00
2261-A	Rear Wheel Cylinder (RH 55).....	21.85
2261-B	Rear Wheel Cylinder (RH 56/57).....	21.85
2262-A	Rear Wheel Cylinder (LH 55).....	21.85
2262-B	Rear Wheel Cylinder (LH 56/57).....	21.85



2A601	Spring, Brake Equalizer.....	2.10
2A637	Emergency Brake Lever RH (New).....	34.95
2A638	Emergency Brake Lever LH (New).....	34.95



2A642	Equalizer, Emergency Brake.....	19.95
351467-S	Washer, Parking Brake Lever Pin.....	1.65



2A635-A	Cable, Emergency Brake Rear (55/56).....	39.95
2A635-B	Cable, Emergency Brake Rear (57).....	39.95
2853	Cable, Emergency Brake (Front).....	39.95

2A094-A	Brake Hold Down Kit Front (55/57).....	9.85
2A094-B	Brake Hold Down Kit Rear (55/56).....	9.85
2A094-C	Brake Hold Down Kit Rear (57).....	9.85
2A094-AK	Brake Shoe Hold Down Kit (55/56).....	32.40
2A094-BK	Brake Shoe Hold Down Kit (57).....	32.40
2106	Retainer Park Brake Lever.....	0.75
2128-A	Kit, Rear Cylinder Repair, 15/16" Bore.....	9.00
2128-B	Kit, Rear Cylinder Repair, 1-1/8" Bore.....	9.00
2128-C	Kit, Rear Cylinder Repair, 7/8" Bore.....	9.00

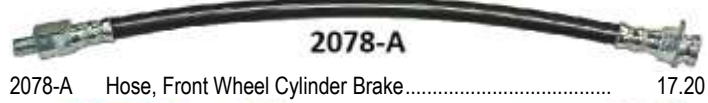
1955/57 Thunderbird Brake and Parking Brake Parts



- 2073 Bracket on Frame, Rear Brake Hose (57)..... 10.45
- 2074-A Bracket, Rear Axel Brake Block (55/56)..... 59.95
- 2074-B Bracket, Rear Axel Brake Block (57)..... 35.00



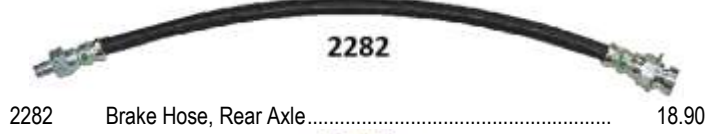
- 2074-C Bracket Only for 2074-A Connector (55/56)..... 8.95
- 2075 Brass Fitting, Front LH Brake Block 15.65
- 2076-A Brass Fitting, Master Cylinder Outlet 11.40
- 2091 Nut, Parking Brake Equalizer Lever 3.75
- 20326-S Bolt, 5/16"- 18 x 5/8"..... 0.40
- 20391-S Bolt, Connector to Bracket, 7/16"- 20 x 1"..... 2.50
- 31519-S Screw, Hex Head, Brake line Clip to Axle (55/56) 0.40
- 33923-S Nut, 5/16"- 24 0.35
- 34443-S Lock Nut, 5/16"- 24..... 0.50
- 34806-S Lock Washer, 5/16"..... 0.20
- 34808-S Lock Washer, 7/16"..... 0.25
- 39909-S Bolt, Brake Block and Line Clip to Frame 0.90



- 2078-A Hose, Front Wheel Cylinder Brake..... 17.20



- 2149 Brass Seal, Brake Line..... 0.85
- 2150 Bolt, Brake Block, LH Front..... 5.20
- 2244-A Clip, Brake Line 1.75



- 2282 Brake Hose, Rear Axle..... 18.90



- 2A602 Emergency Brake Cable Holder, Rear..... 29.95



- 2A605 Bar, Emergency Brake Cable Tension..... 15.70
- 2628 Rod, Emergency Brake Cable..... 16.85



- 2780 Hand Brake Assembly (Used Original) Call
- 2781 Rod Parking Brake Handle (Used Original) Call



- 2780-H Handle Parking Brake Chrome 49.95
- 2780-P Retainer, Pin Brake Handle..... 1.25
- 2786 Pawl, Emergency Brake..... 8.35
- 2788 Spring, Emergency Brake Ratchet Pawl..... 3.10



- 2804 Pulley Park Brake Cable at 2780 24.90
- 2814-A Clip, Brake Cable to Backing Plate (Need 3/car) 2.00
- 2814-B Clip, Brake Hose to Frame (Need 3/car)..... 1.20



- 73931-S Clevis Pin, Park Brake Pulley..... 0.90
- 352358-S Clip, Clevis Pin Retaining..... 0.90



- 2A635-A Cable, Emergency Brake Rear (55/56)..... 39.95
- 2A635-B Cable, Emergency Brake Rear (57)..... 39.95
- 2853 Cable, Emergency Brake (Front) 39.95



- 2857 Clamp, Emergency Brake Cable-Firewall 3.79
- K2857 Kit, Emergency Brake Cable Clamp to Firewall 1.25
- 2858 Plate, Fits Behind (2857)..... 3.85



- 2859 Pin, Emergency Brake Lever 2.60

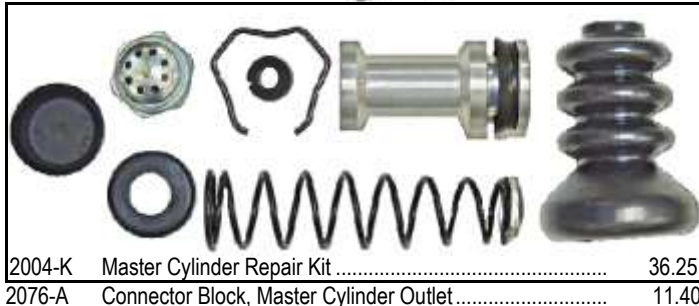
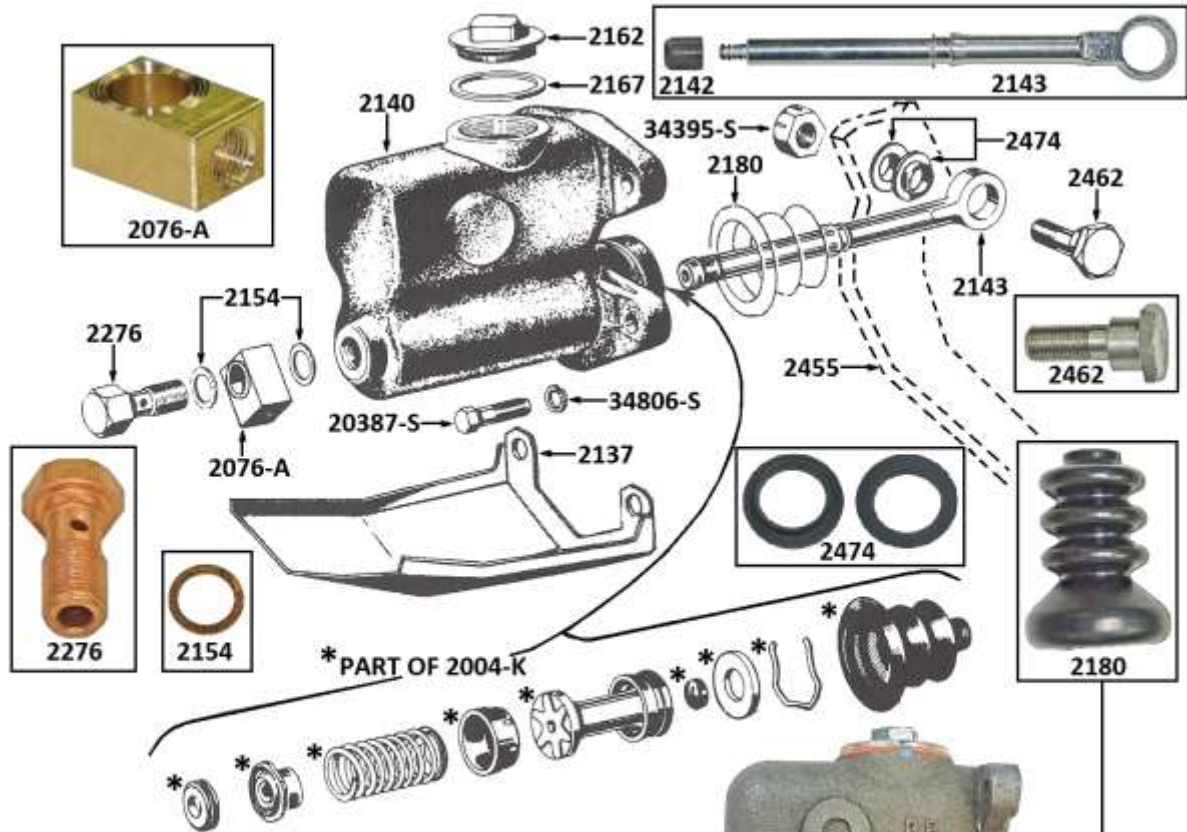


- 7523 Spring, Park Brake Equalizer Lever..... 3.50



- 01642 Cover, Hand Brake Opening Lower LH 41.95
- 01642-A Clip to Retain (01642) Pulley Cover..... 5.25
- 01642-B Cover, Hand Brake (Original)..... Call

1955/57 Thunderbird Brake Master Cylinder - Typical



2140	Master Cylinder (New)	99.95
2142	Plastic Tip, Master Cylinder Push Rod	5.95
2143	Master Cylinder Push Rod	19.95
2154	Brass Seal, Brake Line (2/Car) or (4 with Power Brakes)	1.85



2162-A	Master Cylinder Cap with FoMoCo Logo (55/Early 56) with (2167) Gasket	46.15
2162-B	Master Cylinder Cap with BB Marking (56/57) with (2167) Gasket	41.95
2162-C	Master Cylinder Cap (Replacement)	14.85



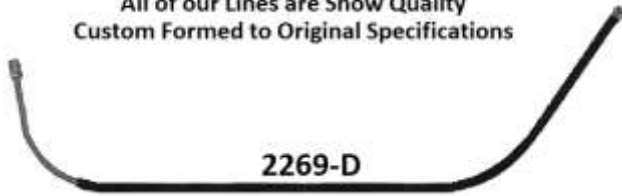
2162-T	Master Cylinder Cap Wrench	6.00
2167	Gasket, Master Cylinder Cap	1.85
2180	Boot, Master Cylinder	4.95
2276	Bolt, Brake Master Cylinder	12.00
2462	Bolt, Master Cylinder Rod End	20.00
2474	Bushing, Master Cylinder Push Rod (Pair)	12.00
20387-S	Bolt, Master Cylinder to Firewall, 5/16" - 24 x 1"	0.60
34395-S	Nut, Locking, 3/8" - 24	1.30
34806-S	Lockwasher, 5/16"	0.20

2269

2269 Spring, Rear Brake Lines (Included with 2269-K & N)..... 3.50

FORMED BRAKE LINES

All of our Lines are Show Quality
Custom Formed to Original Specifications



2269-D

- 2269-A Brake Line, Master Cylinder to Frame Block Manual Brakes 27.95
- 2269-ASS Same as Above (Stainless Steel) 34.95
- 2269-B Brake Line, Master Cylinder to Power Brake Booster (55)..... 17.95
- 2269-BSS Same as Above (Stainless Steel) 22.95
- 2269-C Brake Line, Master Cylinder to Power Brake Booster (56)..... 19.95
- 2269-CSS Same as Above (Stainless Steel) 25.95
- 2269-D Brake Line, Master Cylinder to Power Brake Booster (57)..... 27.95
- 2269-DSS Same as Above (Stainless Steel) 35.95

2269-E

- 2269-E Brake Line, Crossover under Engine 27.95
- 2269-ESS Same as Above — Stainless Steel 41.95

2269-F

- 2269-F Brake Line, Between Frame Block & LF Wheel (Brass Connector)..... 16.95
- 2269-FSS Same as Above (Stainless Steel) 23.95
- 2269-G Brake Line, Frame Block to Midpoint on Frame, All Years 33.95
- 2269-GSS Same as Above (Stainless Steel) 43.95
- 2269-H Brake Line, Midpoint on Frame to Rear Brake Hose (55) 35.95
- 2269-HSS Same as Above (Stainless Steel) 56.95
- 2269-I Brake Line, Midpoint on Frame to Rear Brake Hose (56) 35.95
- 2269-ISS Same as Above (Stainless Steel) 57.95
- 2269-J Brake Line, Midpoint on Frame to Rear Brake Hose (57) 31.45
- 2269-JSS Same as Above (Stainless Steel) 48.95
- 2269-K Brake Line, Rear Axle, RH (55/56) 35.95
- 2269-KSS Same as Above (Stainless Steel) 45.95
- 2269-L Brake Line, Rear Axle, RH (57) 35.95
- 2269-LSS Same as Above (Stainless Steel) 45.95
- 2269-M Brake Line, Rear Axle, LH (55/56) 27.95
- 2269-MSS Same as Above (Stainless Steel) 34.95

2269-N

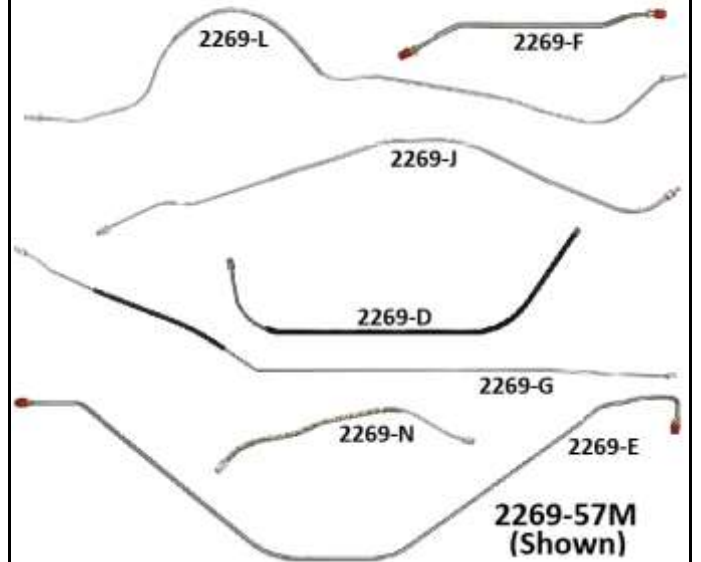
- 2269-N Brake Line, Rear Axle, LH (57) 23.95
- 2269-NSS Same as Above (Stainless Steel) 26.95

SINGLE VACUUM & WIPER LINES

- 2269-AA Vacuum Line, Pump to Carburetor (55) 16.95
- 2269-AB Vacuum Line, Pump to Carburetor (56) 16.95
- 2269-AC Vacuum Line, Pump to Manifold (57) 17.95
- 2269-AD Vacuum Line for Wipers (55) 16.95
- 2269-AE Vacuum Line for Wipers (56) 16.95
- 2269-AF Vacuum Line for Wipers (57) 17.95
- 2269-AAS Vacuum Line, Pump to Carburetor (55)Stainless Steel . 18.95
- 2269-ABS Vacuum Line, Pump to Carburetor (56)Stainless Steel . 18.95
- 2269-ACS Vacuum Line, Pump to Manifold (57)Stainless Steel 19.95
- 2269-ADS Vacuum Line for Wipers (55)Stainless Steel 18.95
- 2269-AES Vacuum Line for Wipers (56)Stainless Steel 18.95
- 2269-AFS Vacuum Line for Wipers (57)Stainless Steel 19.95

COMPLETE BRAKE LINE SETS

These Brake Line Sets Contains All of the Custom Formed Brake Lines that you need for your T-Bird Lines Come in Steel Or Stainless Steel



COMPLETE STEEL BRAKE LINE SETS

- 1955**
- 2269-55P Steel Brake Lines (55) with Power Brakes 189.00
- 2269-55M Steel Brake Lines (55) with Standard Brakes 199.00
- 1956**
- 2269-56P Steel Brake Lines (56) with Power Brakes 189.00
- 2269-56M Steel Brake Lines (56) with Standard Brakes 199.00
- 1957**
- 2269-57P Steel Brake Lines (57) with Power Brakes 189.00
- 2269-57M Steel Brake Lines (57) with Standard Brakes 189.00

COMPLETE STAINLESS STEEL BRAKE LINE SETS

- 1955**
- 2269-55PSS Stainless Steel Brake Lines (55) with Pwr Brakes 259.00
- 2269-55MSS Stainless Steel Brake Lines (55) with Std Brakes 269.00
- 1956**
- 2269-56PSS Stainless Steel Brake Lines (56) with Pwr Brakes 259.00
- 2269-56MSS Stainless Steel Brake Lines (56) with Std Brakes 269.00
- 1957**
- 2269-57PSS Stainless Steel Brake Lines (57) with Pwr Brakes 249.00
- 2269-57MSS Stainless Steel Brake Lines (57) with Std Brakes 239.00



87212-S

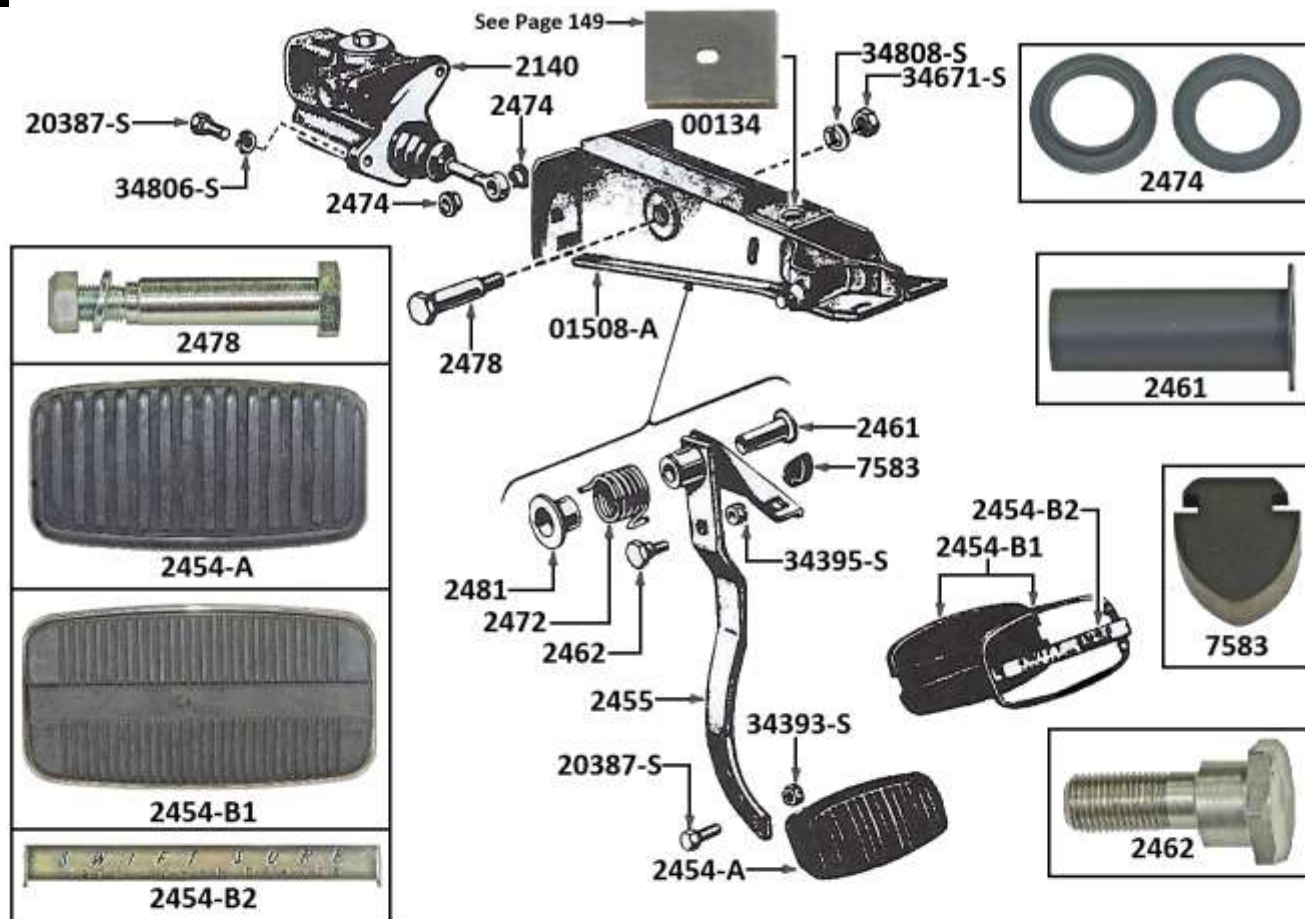


357331-S

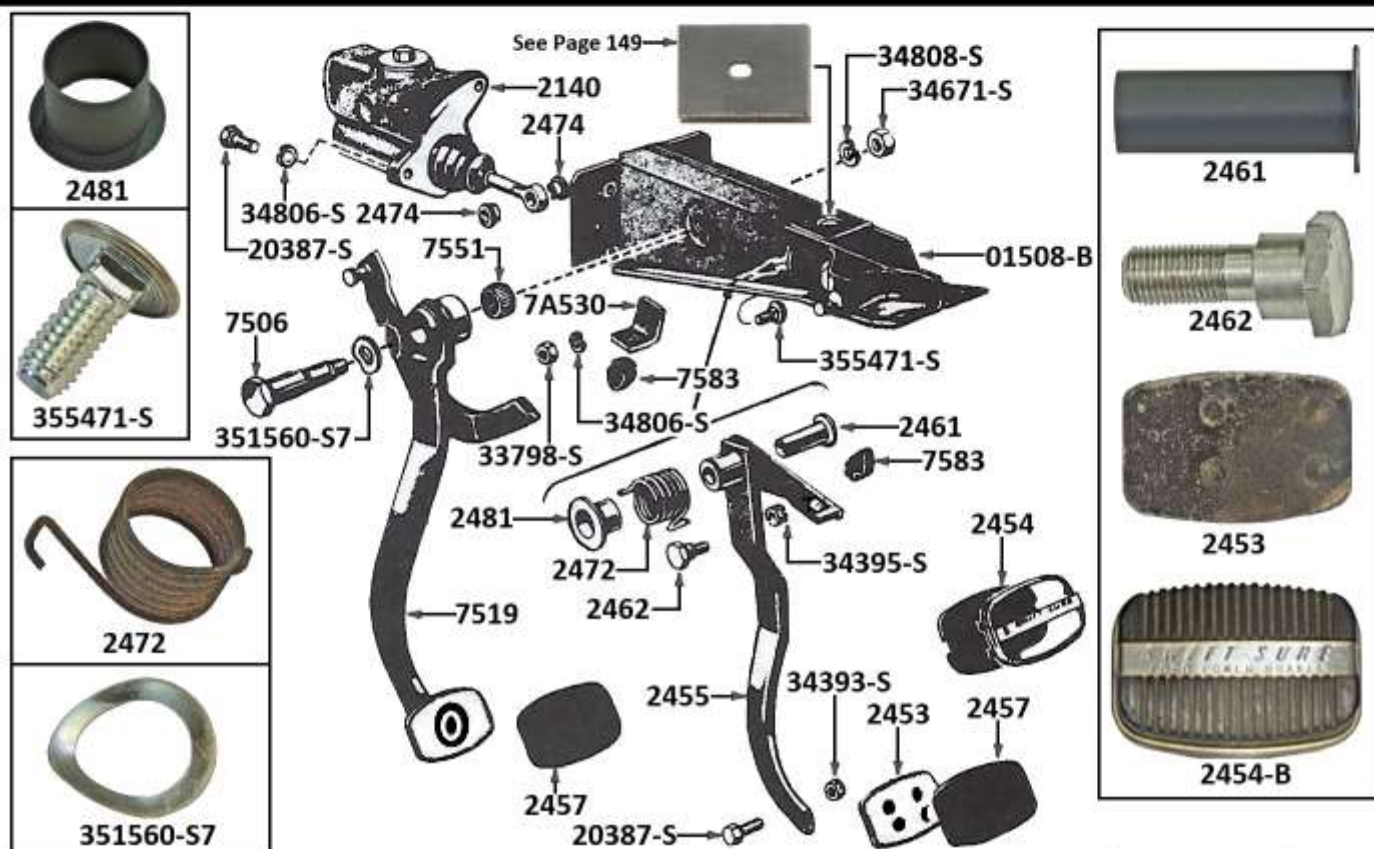
Clip Brake Line to Frame
Original Green Color
(4) Used on 55/56
(3) Used on 1957

- 87212-S Union, Brake Line on Side of Frame 1.70
- 357331-S Clip, Brake Line to Frame (3/Required) 2.70

1955/57 Thunderbird Brake & Clutch Pedal and Related Parts



55/57 THUNDERBIRD BRAKE PEDAL AND RELATED PARTS (FORD-O-MATIC)



55/57 THUNDERBIRD BRAKE, CLUTCH PEDAL AND RELATED PARTS (STANDARD)

1955/57 Thunderbird Brake, Clutch Pedal, Disc Brake Kits & Related Parts

2453	Plate Brake Pedal Pad (Used Original).....	Call
2454-A	Brake Pedal Pad with MF	22.95
2454-B	Brake Pedal Pad "Swift Sure" with Manual Trans.....	Call
2454-B1	Power Brake Pedal Pad with F/M Swift Sure (Stainless Band not Attached)	29.00
2454-B2	Stainless Steel Band with Embossed Swift Sure Markings To be used with (2454-B1) Pedal Pad, Not Supplied	14.95
2455	Pedal Assembly, Brake (55/57, Used Original).....	Call



2457-A	Pad, Clutch and Brake Pedal (55/56)	11.00
2457-B	Pad, Clutch and Brake Pedal (57)	6.85
2461	Bushing, Brake Pedal	12.95
2462	Bolt, Master Cylinder Rod End.....	20.00
2472	Spring, Brake Pedal (Used Original).....	Call
2474	Bushing, Master Cylinder Rod Bolt (Pair)	12.00
2478	Shaft, Brake Pedal with F/M	22.00
2481	Bushing, Brake Pad Spring.....	12.95



7506-A	Shaft, Clutch and Brake Pedal (55)	Call
7506-B	Shaft, Clutch and Brake Pedal (56/57)	Call
7519	Pedal Assembly, Clutch S/T and O/D (55/57)	Call

**MECHANICAL BRAKE LIGHT SWITCH
13480-MK**



This Switch will allow you to activate the Brake Lights with just a touch of the Pedal. Kit comes with Switch, Bracket & Instructions

13480-MK Mechanical Brake Light Switch Kit 32.95



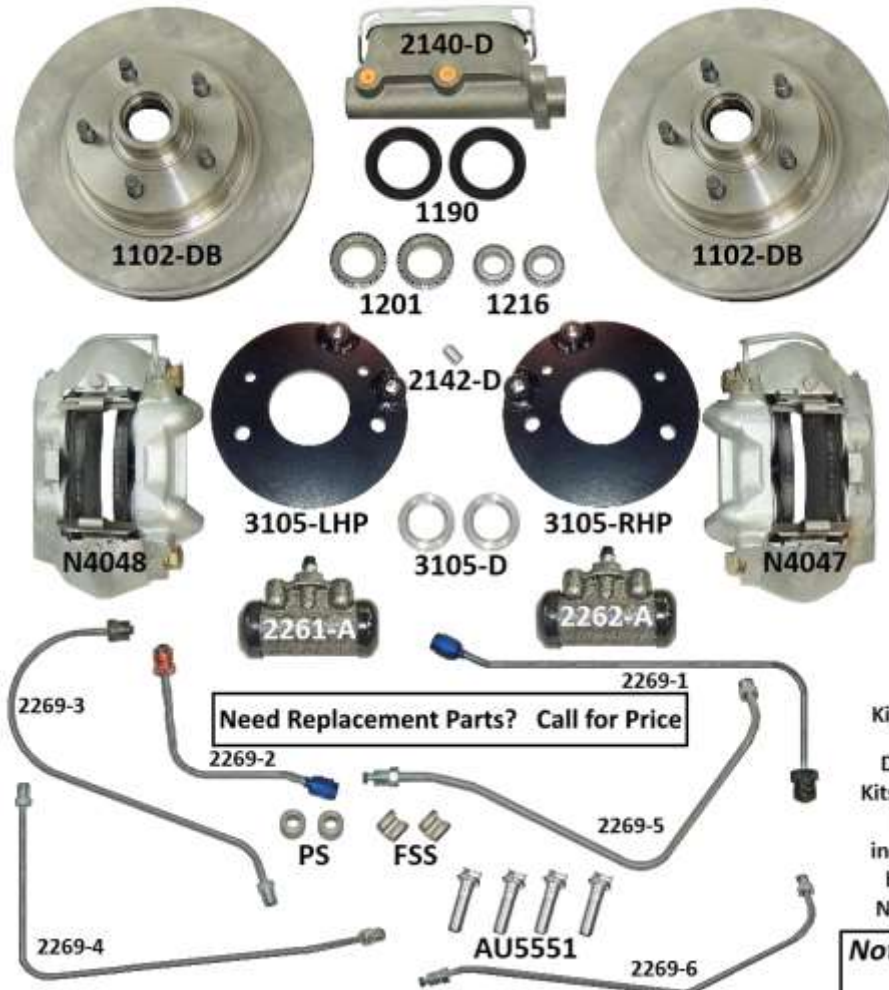
7A530 →

7A530 MOUNTS ON SIDE OF 01508 BRAKE PEDAL SUPPORT

← 7583

13480	Switch, Stoplight	15.85
7A530	Bracket, Clutch Pedal S/T - O/D.....	Call
7583	Bumper, Clutch Release Idler Shaft	4.10
20387-S	Bolt, 5/16" - 24 x 1"	0.60
33798-S	Nut, 5/16" - 24	0.30
34393-S	Locking Nut, 5/16" - 24	0.70
34395-S	Locking Nut, 3/8" - 24	1.30
34671-S	Nut, 7/16" - 20.....	0.80
34806-S	Lock washer, 5/16"	0.20
34808-S	Lock washer 7/16"	0.25
351560-S7	Wave Washer Special	2.35
355471-S	Bolt Special, 5/16" - 24 x 3/4" Round Head Carriage....	3.00

FRONT DISC BRAKE KIT



Need Replacement Parts? Call for Price

Disc Brake Kits are Built in House
Specify Power or Manual
6-Volt or 12-Volt on 1955 T-Birds
Year of Car when Ordering

(This Kit does not add Power Brakes)

2007-K567M	Disc Brake Kit with Manual Brakes (55/57).....	1250.00
2007-K567MC	Disc Brake Kit with Manual Brakes Comes with Combination Valve (55/57).....	1440.00
2007-K567P	Disc Brake Kit with Power Brakes (55/57).....	1250.00
2007-K567PC	Disc Brake Kit with Power Brakes Comes with Combination Valve (56/57).....	1440.00
2140-D	Dual Master Cylinder - Not Sold Separately ...	94.95
2B257-KMC	Kit to Add Combo Valve to Disc Brk Kit-Manual	215.00
2B257-PMC	Kit to Add Combo Valve to Disc Brk Kit-Power	215.00

Need Replacement Parts? Call for Price

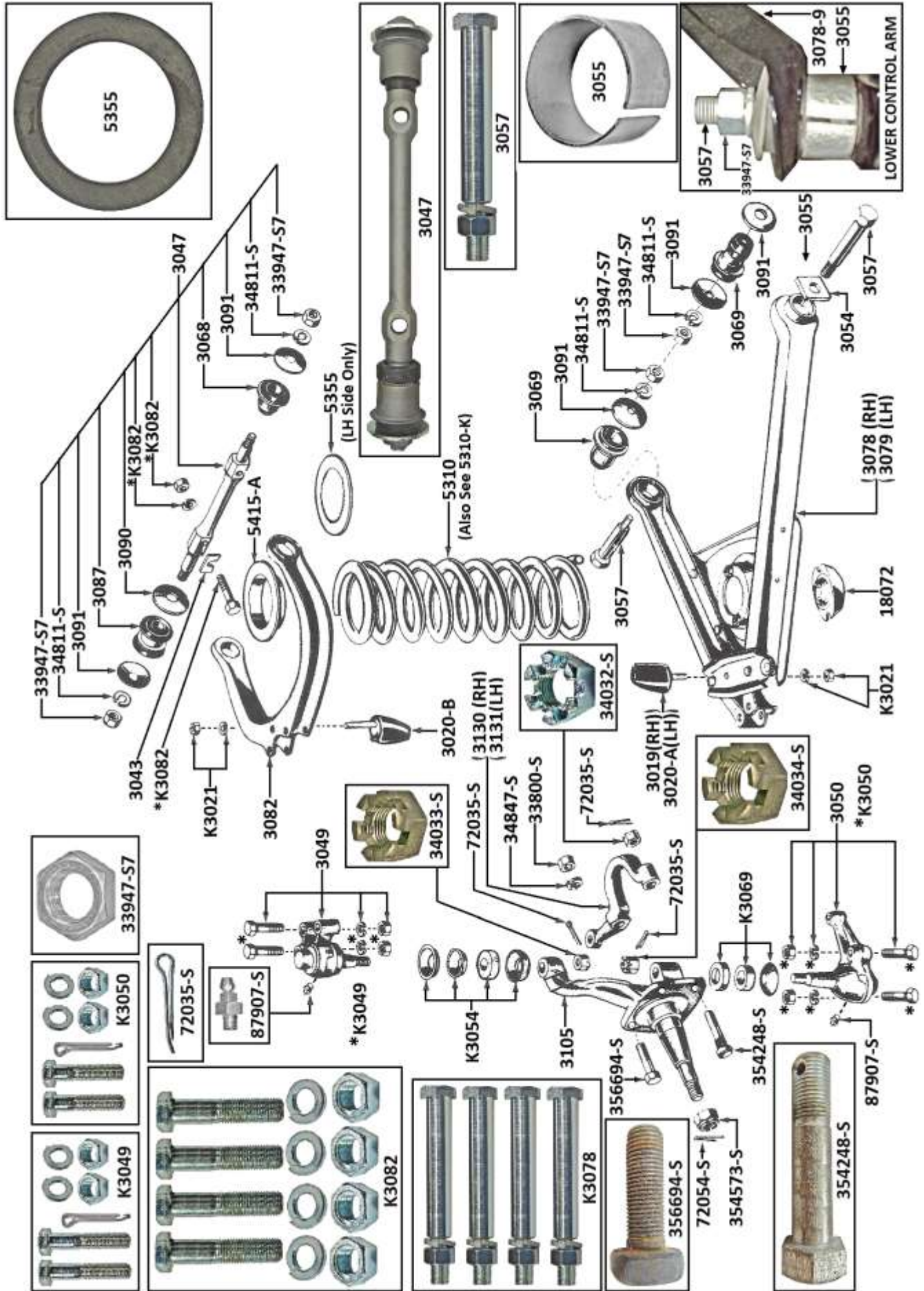


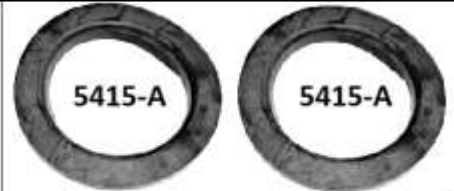
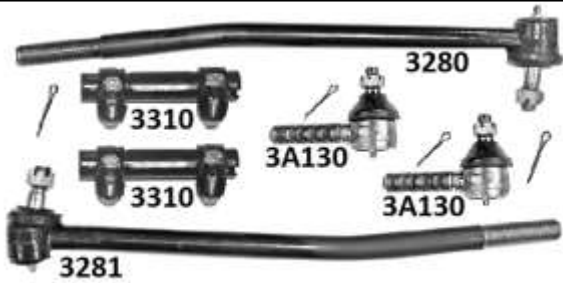
2B257-V	Combination Valve for Disc Brakes	99.00
---------	---	-------

(Combination Valves not for sale for other systems)
Kit Includes: Rotors, Dual Piston Calipers, Lines, Bearings
Seals Rear Wheel Cylinders, Mounting Hardware
Dual Master Cylinder, Installation Instructions Included.
Kits can Include Combination Valve when ordered that way.
Installing this Valve will split your brake system into independent front and rear. If a brake line or hose would bust you will lose either front or rear brakes, not both.
No drilling required, bolt on with illustrated instructions

Note: Master Cylinder and Combination Valve not for sale for other systems

1955/57 Thunderbird Front Suspension - Typical





3001-K Front Suspension Rebuild Kit-Includes:
 (1)3021K (2)3049 (2)3050 (1)3073K (2)3A130
 (1)3280 (1)3281 (2)3310 92)5415A
 Kit Already Discounted-No Additional Discounts May Be Taken

3068-AK	Kit, Control Arm Bushings (Imported)	52.95
3073-K	Control Arms Bushing Kit (Original Mfg.)	95.00
3078	RH Lower Control Arm (Used Original)	Call
3079	LH Lower Control Arm (Used Original)	Call
K3078	Kit, Lower Control Arms to Frame	129.00
3082	Upper Control Arm (Used Original)	Call
K3082	Kit, Upper A-Frame Arms to Frame	5.65
3087	Bushing, Upper Control Arm (Inner Rear)	6.40

3001-K	55/57	469.95
3019	Bumper, Lower Control Arm, RH	6.50
3020-A	Bumper, Lower Control Arm, LH	6.50
3020-B	Bumper, Lower Control Arm, RH-LH	6.50
3021-K	Kit, Control Arm Bumpers Includes (1) 3019, (1) 3020-A & (2) 3020-B	24.00
K3021	Kit, A-Frame Bumpers to A-Frame	1.40
3043-A	Alignment Shim, 1/64" Thick	0.80
3043-B	Alignment Shim, 1/32" Thick	0.80
3043-C	Alignment Shim, 1/16" Thick	0.80
3043-D	Alignment Shim, 1/8" Thick	0.80
3047	Kit, Front Suspension Upper Shaft, Includes (3056 Shaft) (3068-3087 Bushings) & (3090-3091 Washer/Nuts)	49.95
3048-A	Seal Kit, Ball Joints	4.85
3049	Upper Ball Joint (Includes Attaching Hardware)	55.00
K3049	Kit, Upper Ball Joints to Upper A-Arms	5.45
3050	Lower Ball Joint (Includes Attaching Hardware)	55.00
K3050	Kit, Lower Ball Joints to Upper A-Arms	7.85



3090	Washer, Formed, Upper A-Arm (Inner Rear)	1.20
3091	Washer, Formed, Upper and Lower A-Arm Bushings	1.20
3092-K	Washer Kit, Upper & Lower Control Arms	12.00
3105	Spindle Assembly (Used Original)	Call



3048-K	Kit, Washer & Seals for Ball Joints Kit Includes: (2) 3054-K and (2) 3069-K	26.50
--------	--	-------



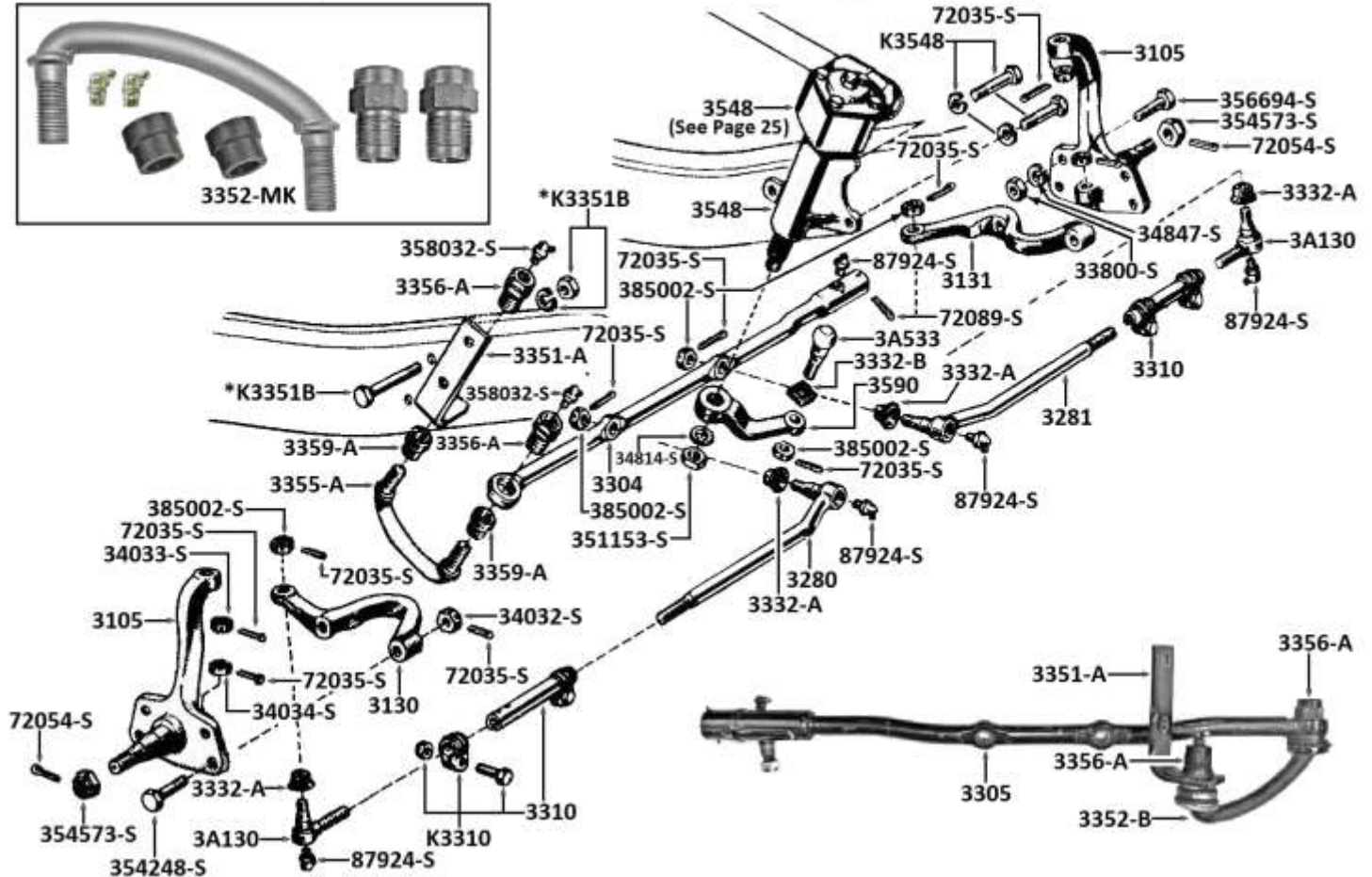
3049-T	Ball Joint Removal Tool	16.00
3051-K	Ball Joint Kit, (2) 3049 Upper & (2) 3050 Lower (Includes: All Attaching Hardware & Seals) (3049-3050 Paint Black)	210.00

FRONT COIL SPRINGS		
5310	Spring, Coil Front (55/57)	79.00
5310-K	Front Coil Spring Kit, Includes: (1-5355 Spacer) (2-5310 Springs) (2-5415A Insulators)	169.95

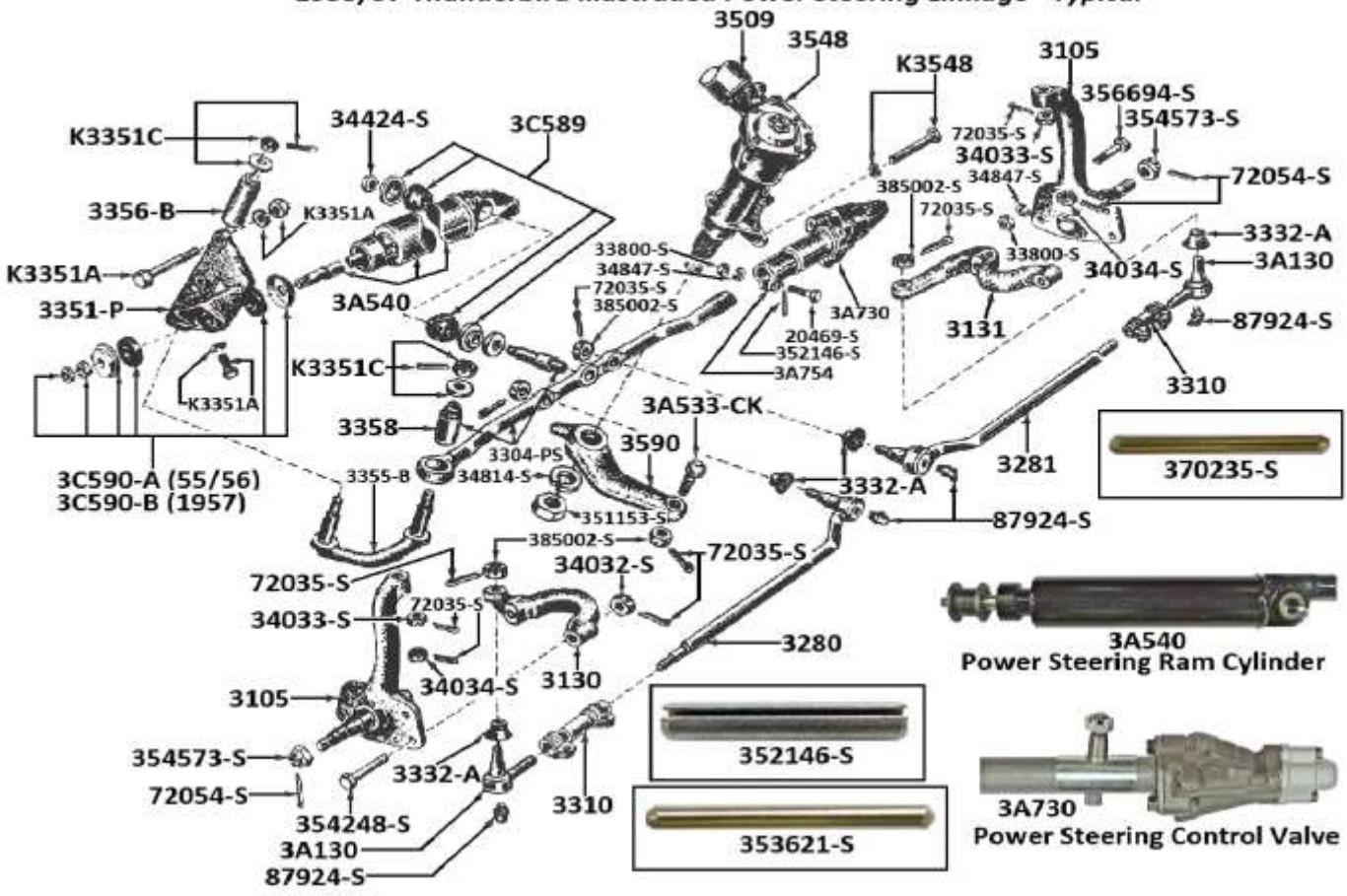
3054-K	Kit, Upper Ball Joint Washer & Seals	9.35
3055	Spacer, Front Suspension	12.00
3056	Shaft Only, Upper Control (Used Original)	Call
3057	Bolt, Lower Control Arm	32.75
3068	Bushing, Upper Control Arm (Inner Front)	6.10
3069	Bushing, Lower Control Arm (Front or Rear)	7.50
3069-K	Kit, Lower Ball Joint Washer & Seals	6.40

5355	Spacer, Front Spring on LH Side	9.75
5415-A	Insulator, Top of Coil Spring (2/Required)	4.95
18072	Bracket, Lower Front Shock Mount (Also see Page 39)	16.95
33800-S	Nut, 3/8"- 24	0.40
33947-S7	Nut, Use at Upper Control Arm (3047) Shaft	0.90
34032-S	Nut, Slotted, 1/2" - 20 x 9/16" Thick	2.00
34033-S	Nut, Slotted, Ball Joint (Upper)	1.50
34034-S	Nut, Slotted, Ball Joint (Lower)	1.75
34811-S	Lock washer, 5/8"	0.50
34847-S	Lock washer, 3/8"	0.20
72035-S	Cotter Pin, 1/8" x 1"	0.25
72054-S	Cotter Pin, 5/32" x 1-1/4"	0.30
87907-S	Lubricator Fitting (Straight)	0.60
354248-S	Bolt, Spindle to Steering Arm (Used Original)	Call
354573-S	Nut (Front Spindle)	2.50
356694-S	Bolt, Front Brake Grease Baffle (Used Original)	Call

1955/57 Thunderbird Illustrated Manual Steering Linkage - Typical



1955/57 Thunderbird Illustrated Power Steering Linkage - Typical



1955/1957 Thunderbird Steering and Related Parts

- 3105 Spindle Assembly (Used Original)..... Call
- 3130 Spindle, Steering Arm RH (55/57, Used Original)..... Call
- 3131 Spindle, Steering Arm LH (55/57, Used Original)..... Call



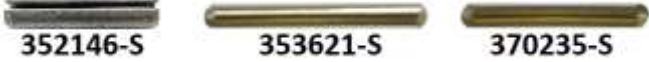
- 3A130 Kit, Tie Rod End (55/57) Includes Nut & Cotter Pin Seal..... 18.95
If Correct Seal is needed, see 3332-A
- Original Connecting Rod Ends had the Ford Logo on the Bottom
- K3A130 Kit, Tie Rod End Nuts, Cotter Pins & Seals 6.00
- 72035-S Cotter Pin, 1/8" x 1" 0.15



- 3351-A Bracket, Manual Steering Idler Arm Call
- K3351B Kit, Idler Arm Bracket to Frame (Manual Steering) 3.20



- 87907-S Lubricator Fitting (Straight) 0.60
- 87924-S Lubricator Fitting (90 Degree) 0.90



- 352146-S Pin, 1/8" x 7/8", P/S Control Valve (55/56) 0.45
- 353621-S Solid Pin, P/S Control Valve (55/56) 1.65
- 370235-S Solid Pin, P/S Control Valve (57) 1.65
- 358032-S Lubricator Fitting (67-1/2 Degree) 1.10
- 385002-S Nut, Slotted for Tie-Rod Ends 1.35



- 3352-M Idler Arm, Manual Steering 59.95
- 3352-MK Idler Arm & Bushing Kit (55/57) Manual Steering 99.95
- 3356-A Bushing, Idler Arm, Manual Steering (2 Required) 19.00
- 3356-AK Idler Arm Bushing Kit (55/57) Manual Steering
 Includes (2) 3356-A & (2) 3359-A 43.95
- 3359-A Seal Kit, Idler Arm, Manual Steering, (Pair) 9.00

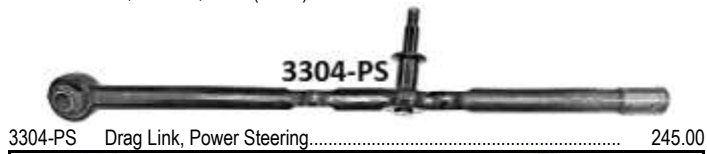
TIE ROD KIT - MANUAL & POWER STEERING

Kit Includes: (2)3A130 (1)3280 (1)3281 (2)3310 (2)72035S

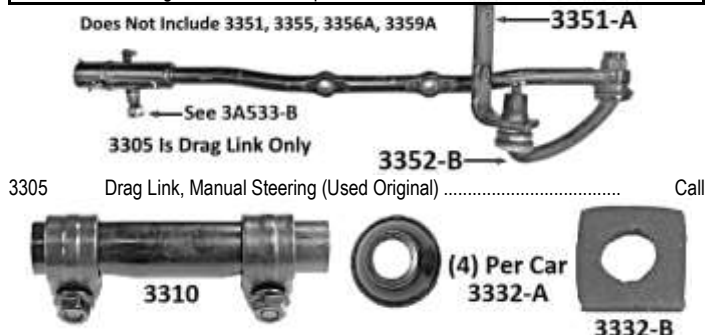
- 3280-K Tie Rod Kit 154.95
- 3280 RH, Tie Rod, Inner (55/57) 51.95
- 3281 LH, Tie Rod, Inner (55/57) 51.95



- 3351-P Bracket, Power Steering Idler Arm Mounting 114.95
- 3A351K Crush Nut Kit with Hardware & Instructions 7.95
- 3A533-B Ball Stud Kit, Manual Steering (55/57) 69.00



- 3304-PS Drag Link, Power Steering 245.00



- 3310 Sleeve, Tie Rod Adjusting 11.50
- 3332-A Seal, Tie Rod & Tie Rod End (Exact Reproduction) 1.95
- 3332-B Seal, Pitman Arm to Ball Stud 1.65



- K3351A Kit, Idler Arm Bracket to P/S Frame 3.85



- K3351C Kit, Idler Arm to Bushings (Power Steering) 3.00



- ### POWER STEERING IDLER ARM
- 3352-P Idler Arm, Power Steering 59.95
 - 3352-PK Idler Arm & Bushing Kit (55/57, Power Steering) 79.95
 - 3356-B Bushing, Large for Idler Arm (Power Steering) 13.25
 - 3358 Bushing, Small for Idler Arm (Power Steering) 10.75
 - 3356-PK Bushing Set P/S Idler, Includes (3356-B & 3358) 21.60

1955/1957 Thunderbird Steering Gearbox and Related Parts

STEERING GEARBOX



Both Manual and Power Steering Cars used the same Steering Gearbox

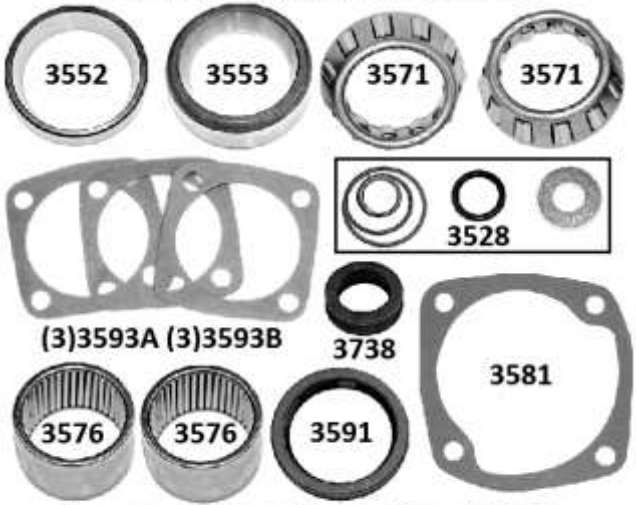
2-Tooth (AD3550A)
3-Tooth (AF3550A)

3548-A	Steering Gear Box Rebuilt 2-Tooth (AD3550A)	
	Stamped into Gear Box.....	549.00
	(1955) Steering Gear Box, Core	350.00
3548-B	Steering Gear Box Rebuilt 3-Tooth (AF3550A)	
	Stamped into Gear Box.....	549.00
	(56/57) Steering Gear Box, Core	350.00



K3548	Kit, Steering Gear Box to Frame	4.75
-------	---------------------------------------	------

STEERING GEARBOX REBUILD KIT

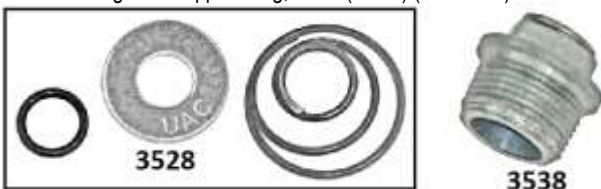


Kit Includes: (1)3528 (1)3552 (1)3553 (2)3571
(2)3576 (1)3581 (3)3593A (3)3593B (1)3738

3548-KA	Kit, for use with 2-Tooth Sector	154.95
3548-KB	Kit, for use with 3-Tooth Sector	164.95



3517	Bearing, Steering Shaft	25.90
3521	Snap Ring, Steering Column Bearing	1.50
3524-A	Worm Gear, 2 Tooth (55/56)	99.95
3524-B	Worm Gear, 3 Tooth (56/57)	99.95
3524-C	Steering Shaft Upper Long, Used (55) (36-41/64")	Call
3524-D	Steering Shaft Upper Long, Used (56/57) (34-11/32")	Call



3528	Kit, Steering Column Seal	17.95
3538	Plug, Steering Gear Housing Oil Filler	Call



3524-S	Steering Shaft Only, Short 12"	99.95
3524-SW	Worm Gear Installed on Short Shaft	239.95
3525	Sleeve, Steering Shaft (Used Original)	Call
3552	Cup, Steering Worm Bearing, Lower	14.00
3553	Cup, Steering Worm Bearing, Upper	33.00
3571	Bearing, Steering Worm Roller	15.00



3575-A	Sector Shaft, (AD3575A) 2-Tooth (55)	Call
3575-B	Sector Shaft, (B6A3575A) 3-Tooth (56/57)	Call



3575-C	Sector Shaft Repair Kit, 2-Tooth (55)	79.95
3575-D	Sector Shaft Repair Kit, 3-Tooth (56/57)	Call
3576-A	Bushing, 2-Tooth Sector Shaft (55)	12.00
3576-B	Bushing, 3-Tooth Sector Shaft (56/57)	18.00
3577	Adjusting Screw, Sector Shaft (Used)	Call
3580	Cap, Steering Gear Box (Used)	Call
3581	Gasket, Steering Box	2.70
3589	Cap, Steering Gear Housing Upper	Call
350997-S	Bolt, Cover (3580-3589) to Housing, 5/16"- 18 x 9/16"	Call



3590-A	Pitman Arm, AH3590A (55, Used Original)	Call
3590-B	Pitman Arm, AH3590B (56/57 Used Original)	Call
34814-S	Lock washer 7/8", Pittman Arm to Steering Sector	1.00
351153-S	Nut, Pittman Arm to Steering Sector	3.00



3591-A	Seal, Used with Sector Shaft (55)	9.95
3591-B	Seal, Used with Sector Shaft (56/57)	9.95
3593-A	Gasket Shim, Gear Box (0.002 in.)	2.00
3593-B	Gasket Shim, Gear Box (0.010 in.)	2.00
33943-S8	Nut, Sector Shaft (Adjusting)	1.00
33947-S7	Nut, Steering Wheel	0.90



3597	Plate & Tube Assembly, Steering Gear	11.65
3738	Seal, Steering Shaft (55/57)	10.95

26 1955/57 Thunderbird Steering Column, Steering Wheel & Related Parts



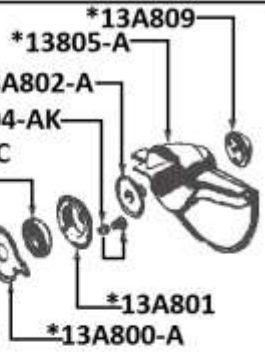
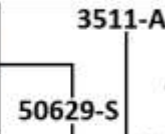
SMALL STEERING WHEEL
 Small 15" Replacement Steering Wheel for your 56/57 Thunderbird. Made to fit to the Original Steering Column. Includes Horn Ring. You can use your Center Medallion to keep that Thunderbird look. This Smaller Steering Wheel gives the Driver more Room and Comfort behind the Wheel. Comes in Black Only-Paint to Match your Color



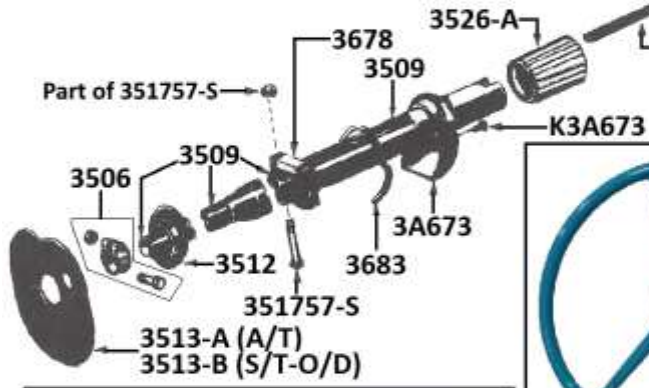
- 3600-R Retro (56/57) 15" Thunderbird Steering Wheel..... 419.00
- 13305-BRX Handle Turn Signal Black End (55/57) Use with 3600-R Steering Wheel 1" Shorter..... 22.00



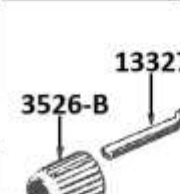
3600-T Steering Wheel Puller..... 31.85



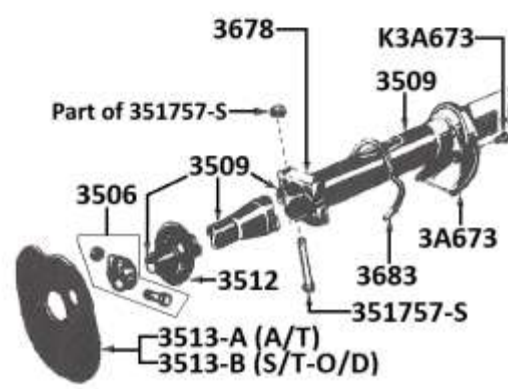
*See Page 111 for 1955 Horn Ring Parts



STEERING WHEELS		
3600-A	55 Used Original.....	Call
3600-B	56/57 Used Original.....	Call
3600-D	56/57 Black.....	359.00
3600-E	56 Peacock.....	359.00
3600-F	56 Red.....	359.00
3600-G	56 Buckskin.....	359.00
3600-H	56 Sage Green.....	359.00
3600-I	57 Red.....	359.00
3600-J	57 White.....	359.00
3600-K	57 Blue.....	359.00
3600-M	57 Green.....	359.00
3600-X	56/57 Unpainted.....	359.00



*See Page 112 for 56/57 Horn Ring Parts



Plates Firewall Cover See Page 155

At 3513

1955/1957 Thunderbird Steering Column and Related Parts

3506	Clamp, Steering Column Sleeve.....	Call
3509-A	Steering Column Adjusting Sleeve (55).....	25.00
3509-B	Steering Column Adjusting Sleeve (56/57).....	25.00
3509-C	Steering Column Tube Only (55, Used Original).....	Call
3509-CR	55 Steering Column (Re-Chromed).....	Call
	Core Deposit on Above.....	100.00
3509-D	Steering Column Tube Only (56/57, Used Original).....	Call
3509-DR	56/57 Steering Column (Re-Chromed).....	Call
	Core Deposit on Above.....	100.00



3511-A	Turn Signal Housing (55).....	Call
3511-B	Turn Signal Housing (56/57).....	Call



3526-A	Bevel, Steering Column Adjusting Sleeve (55).....	Call
3526-B	Bevel, Steering Column Adjusting Sleeve (56/57).....	Call
3526-C	Set Screw, Steering Column Bezel (56/57).....	2.00



3669-A	Collar, Steering Column (55).....	Call
3669-B	Collar, Steering Column (56/57).....	Call



3A673	Horseshoe Collar, Steering Column.....	Call
K3A673	Kit, Steering Column Trim (3A673 to 3678).....	1.70



K3513	Kit, Steering Column Seal (3513) to Firewall.....	2.50
-------	---	------

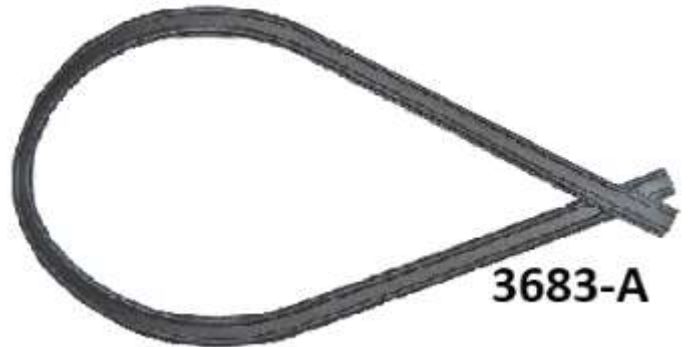


3511-T	Steering Column Collar Wrench.....	49.95
3512	Grommet, Steering Column to Dash.....	8.75



Also See Page 149

3513-A	Seal, Steering Column, Automatic Trans.....	4.35
3513-B	Seal, Steering Column, Manual Trans.....	4.35



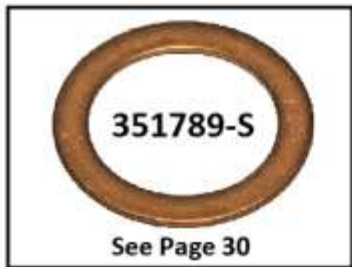
3678	Clamp, Steering Column to Dash.....	Call
351757-S	Bolt.....	6.00
3683-A	Insulator, Steering Column to Dash (Molded Black).....	4.25
3683-B	Insulator, Steering Column to Dash (Molded White).....	6.50



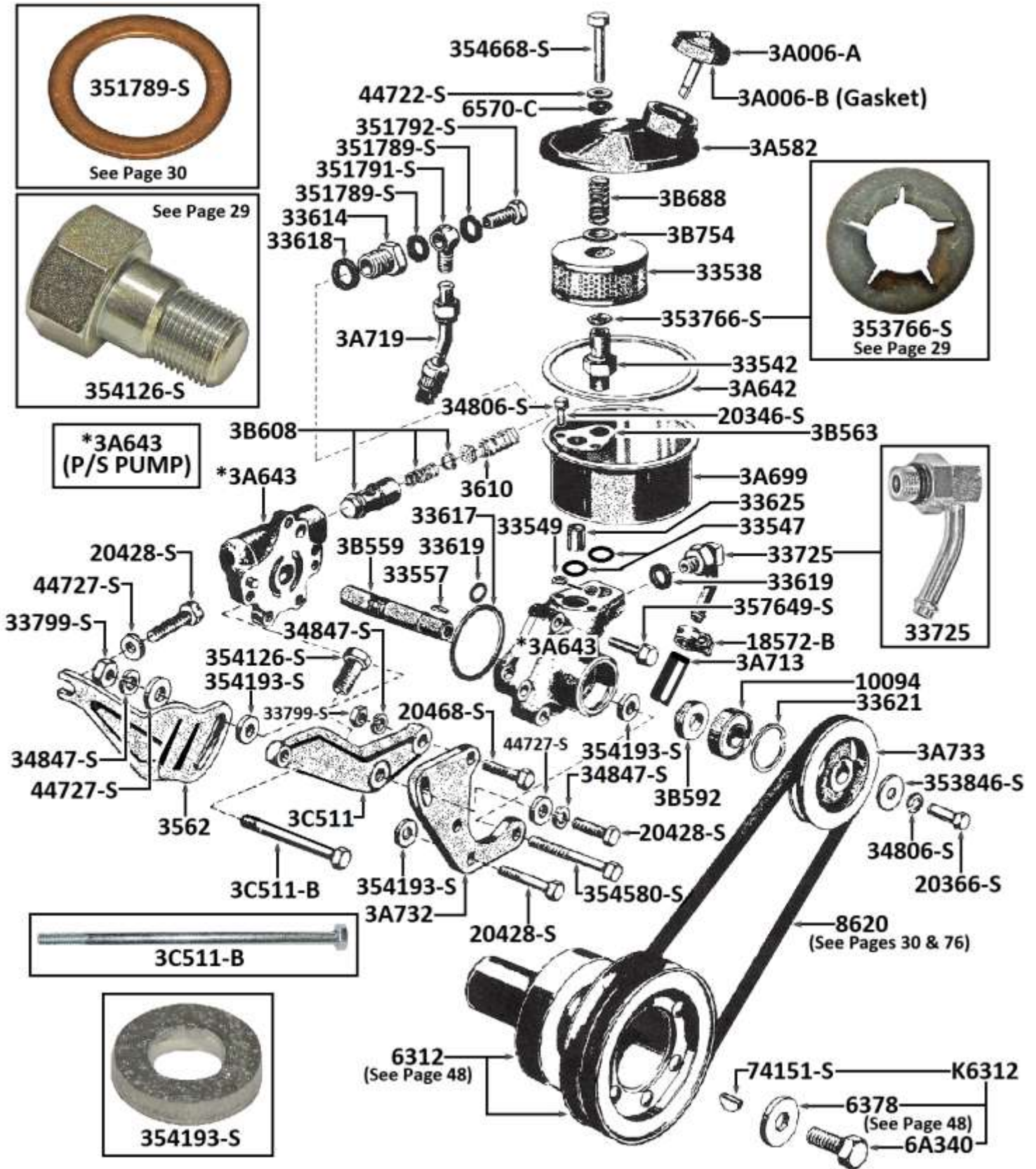
13327	Shield, Wiring Steering Column (55/57).....	Call
-------	---	------



33947-S7	Kit, Steering Wheel.....	0.90
41580-S	Screw, Column Turn Signal Switch Housing (Used).....	Call
50629-S	Screw, Column Sleeve Guide (Used Original).....	Call
AU1939	Screw, Attaches (13327) to Steering Column.....	0.20



*3A643
(P/S PUMP)



1955/1957 Thunderbird Power Steering Pump & Related Parts



- 3A006-A Cap, Power Steering Reservoir (Paint Argent)..... 24.95
- 3A006-B Gasket, P/S Reservoir Cap..... 1.60



- 354126-S Bolt, Special, To Attach 3C511 P/S Bracket..... 18.95
- 3C511 Bracket, Mounting, Power Steering Pump..... 52.95
- 3C511-B Bolt for 3C511 Bracket 5/16 x 6 with Pieces..... 2.50



- 3B559-A Power Steering Pump Shaft (3.98" Long) 59.95



- 3562 Bracket, P/S Pump Support..... 47.95
- 354193-S Washer P/S Pump Mounting..... 3.00



- 3B563-A Plate, P/S Reservoir Can (4 Hole)..... 6.95
- 3B563-B Plate, P/S Reservoir Can (2 Hole)..... 6.95



- 3A582 Cover, Lid P/S Reservoir Can (55/57) 24.95
- 3B584-EK P/S Pump Seal Kit..... 26.40



- 3B592 Seal, Gear Box..... 9.85
- 6570-C Grommet, P/S Reservoir Cover..... 1.50

Use Type F or Type FA
Power Steering Fluid
Motorcraft # XT1Q1F



- 3A643-E Power Steering Pump (Rebuilt)..... 219.95
- Less Pulley & Reservoir—(Early Pump) 350.00
- Core Deposit on Above Pump..... 350.00

Use Type F or Type FA
Power Steering Fluid
Motorcraft # XT1Q1F



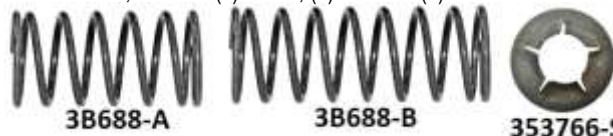
- 3A643-L Power Steering Pump (Rebuilt)..... 219.95
- Less Pulley & Reservoir—(Late Pump)..... 350.00
- Core Deposit on Above Pump..... 350.00

Includes: (1)3B584EK Seal Kit (1)10094 Brg. (1)33538 Filter

3A643-K Power Steering Pump Overhaul Kit (55/57)..... 49.95



- 33538 Filter, P/S Pump..... 16.00
- 33538-K Filter Kit, Includes (1) 33538, (1) 3A642 & (1) 6570-C..... 19.95

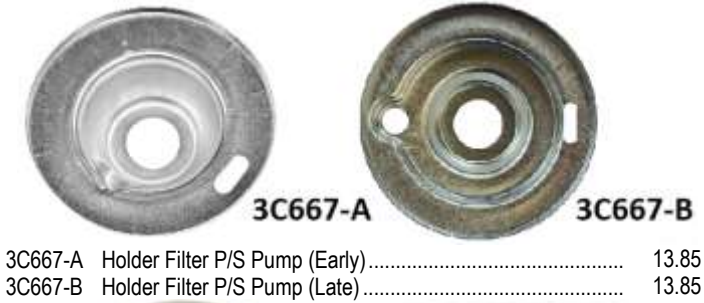


- 3B688-A Spring, P/S Reservoir, 1-3/4" Long..... 4.00
- 3B688-B Spring, P/S Reservoir, 2-1/4" Long (Used)..... 4.00
- 353766-S Retainer P/S Reservoir Lid, Spring & Washer..... 1.00



- 354668-A Bolt, Power Steering Reservoir Lid (Early) 2-1/2" Long..... 7.95
- 354668-B Bolt, Power Steering Reservoir Lid (Late) 3-1/2" Long..... 7.95

1955/1957 Thunderbird Power Steering Pump and Related Parts



3C667-A Holder Filter P/S Pump (Early)..... 13.85
 3C667-B Holder Filter P/S Pump (Late)..... 13.85



3A699-A P/S Reservoir Can w/o Return Hose Nipple (Used) Call
 3A699-B P/S Reservoir Can with Return Hose Nipple..... 39.95



3A732 Support Plate—P/S Pump..... 19.95



3A733 Pulley, Power Steering Pump w/Correct Castings..... 49.95
 3B754 Washer Stamp Top of P/S Filter 3.95



33542-A Bolt, P/S Pump Reservoir (Early)..... 19.95
 33542-B Bolt, P/S Pump Reservoir (Late)..... 19.95



33547 Seal, P/S Pump Reservoir, Large Diameter..... 1.00
 33549 Seal, P/S Pump Reservoir, Small Diameter..... 1.00
 33557-A Key, P/S Pulley..... 2.00



33614-A Fitting, P/S Pump without Seat..... 19.95
 33614-B Fitting, P/S Pump with Seat..... 19.95



33618 Seal, P/S Pump Valve Outlet Fitting..... 1.50
 33619-S Seal, P/S Pump Flow Director..... 1.50



33621 Snap Ring, P/S Pump Bearing Retainer 2.00
 33725-S Connector, P/S Pump Return Line 23.70
 18572-B Clamp, Power Steering Return Hose 4.80



33947-S7 Nut on Power Steering Return Line Fitting..... 0.90
 351789-S Copper Washer, Power Steering Pump 2.75
 351791-S Connector, Power Steering Pressure Line..... 18.10
 351792-S Bolt, Power Steering Pressure Line..... 19.95
 20346-S Bolt, 5/16"- 18 x 3/4"..... 0.60
 20366-S Bolt, 5/16"- 18 x 7/8"..... 0.70
 20428-S Bolt, 3/8"- 16 x 1-1/4"..... 1.15
 20468-S Bolt, 3/8"- 16 x 1-1/2"..... 1.20
 354580-S Bolt, 3/8"- 16 x 3-1/4" Special..... Call
 357649-S Bolt, 3/8"- 16 x 1-3/4" Special..... Call

POWER STEERING BELTS

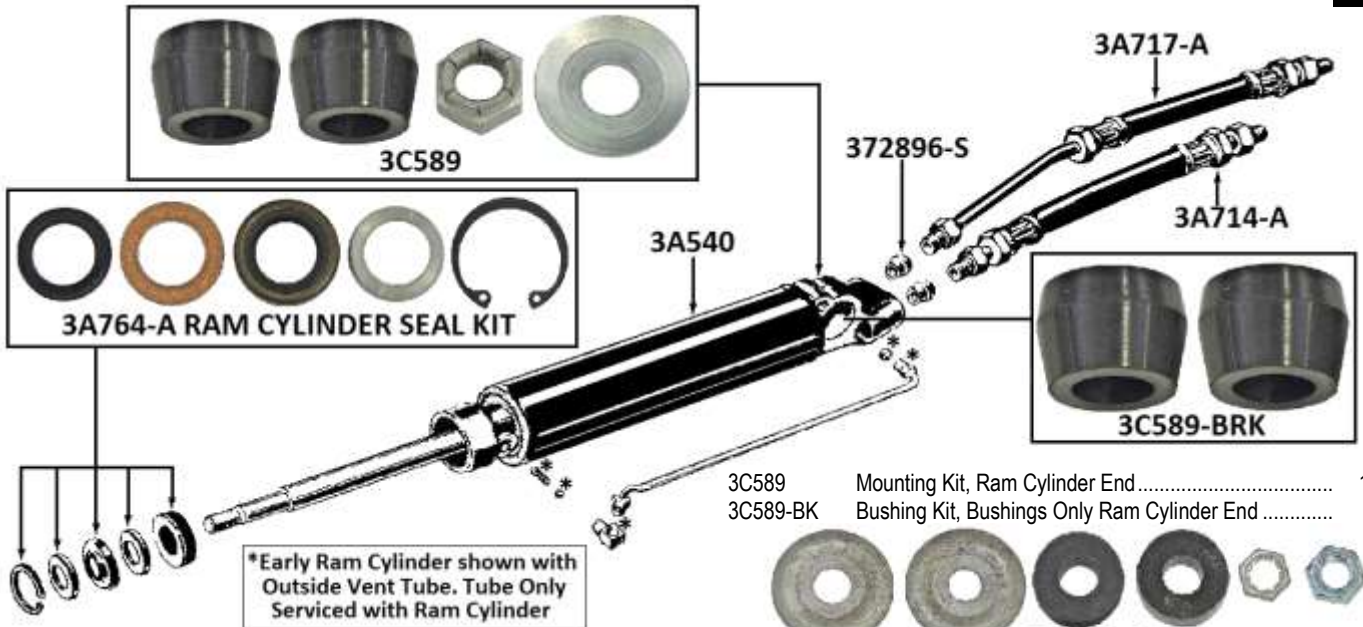
8620-C Belt, Concourse, Power Steering (55 & Early 56)..... 19.95
 8620-D Belt, Concourse, Power Steering (56 & 57)..... 19.95
 8620-DL Belt, Concourse, Power Steering (Late 57) w/o Notches.. 19.95
 8620-R Belt, Power Steering or Fan, Replacement..... 15.95

COMPLETE POWER STEERING KIT



This Kit Includes everything you need to Install Power Steering on your Thunderbird. Two Different Kits are Available
Thunderbird Original or Non-Original-No Discount on these Kits

3A633-NK Kit, Power Steering (Complete Non-Original)..... 2595.00
 3A633-TK Kit, Power Steering (Complete Original)..... 3295.00



3C589	Mounting Kit, Ram Cylinder End.....	12.50
3C589-BK	Bushing Kit, Bushings Only Ram Cylinder End	4.50



3C590-A	Kit, P/S Piston Rod End Bushing (55/56)	17.95
3C590-C	Bushing Kit, Includes 3C590C and 3C589BK (55/56) ...	21.95



3A764	Seal Kit, Ram Cylinder (Early 55)	19.95
3A764-A	Seal Kit, Ram Cylinder End Seals (55/56)	18.95



3332-B	Seal, Pitman Arm to Ball Stud.....	1.65
3A533-A	Ball Stud Kit, Power Steering (55/56)	59.95



3A650-A	P/S Control Valve Seal Kit (Early 55).....	18.95
3A650-ARSO	P/S Control Valve Seals Only (55/56).....	18.95



3A650-AR	P/S Control Valve Seal Kit (55/56).....	34.95
----------	---	-------



3A651-A	Spool Valve Standard Size (55/56)	64.95
3A651-AOS	Spool Valve Oversize .002 (55/56)	64.95
3C705	P/S Control Valve Cap (55/57).....	16.95



3A728-A	Shield, Early P/S Control Valve Ball Stud.....	6.95
3A754-A	Ball Stud Sleeve "Early Valve"	Call

REBUILT RAM CYLINDERS

3A540-AR Dia. 2-1/8"

3A540-AR Power Steering Ram Cylinder, Rebuilt Original
Early 55 with Outside Tube Ram 259.95
Core Charge on 3A540AR 350.00

3A540-BR Dia. 2-1/8"

3A540-BR Power Steering Ram Cylinder, Rebuilt Original
55 to Early 57 259.95
Core Charge on 3A540BR 350.00

NEW RAM CYLINDERS-NO CORE REQUIRED

3A540-A Dia. 2-1/8"

3A540-A Power Ram Cylinder (55/56) Diameter 2-1/8" 379.95

Seat P/S Control Valve and Ram Cylinder

372895-S Seat P/S 1/4" 6.75
372896-S Seat P/S 3/8" 6.75

POWER STEERING CONTROL VALVES-REBUILT

Cores Must Be Like for Like

EARLY

3A730-A Rebuilt P/S Control Valve (55/Early 56)..... 219.95
3A730-B Rebuilt P/S Control Valve (55/56 Early 57)..... 219.95
Core Deposit..... 350.00

A-Cast Extension
B- Uses Clamp 3A754

Use Type F or FA
P/S Fluid

See Page 32 for Additional P/S Control Valve Info

1957 Thunderbird Late Power Steering Ram Cylinder, Control Valve and Related Parts



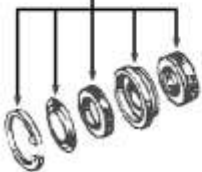
3A764-B

3A540-B

372895-S

3A714-B

3A714-B



3C589-BRK

3C589

- 3C589 Mounting Kit, Ram Cylinder End (With Bushings) 12.50
- 3C589-BK Bushing Kit, Ram Cylinder End (Bushings Only)..... 4.50



3C590-B

- 3C590-B Bushing Kit, P/S Piston Rod End (57)..... 17.95
- 3C590-D Bushing Kit, Includes 3C590B and 3C589-BK (57)..... 21.95

REBUILT RAM CYLINDER - LATE 57



3A540-CR

Dia. 1-11/16"

- 3A540-CR Power Steering Ram Cylinder, Rebuilt Original (57) 259.95
- Core Charge on 3A540-CR..... 350.00

NEW RAM CYLINDERS-NO CORE REQUIRED



3A540-B

Dia. 1-11/16"

- 3A540-B Power Steering Ram Cylinder (57) 379.95

MADE IN THE USA



3A533-CK

- 3A533-CK Ball Stud Kit Power Steering (57) 59.95



3332-B

- 3332-B Seal, Pitman Arm to Ball Stud..... 1.65



3A650-BR

- 3A650-BR Control Valve Seal Kit P/S (57)..... 9.60



3A651-B

- 3A651-B Pool Valve Standard Size (57)..... 64.95
- 3A651-BOS Pool Valve Oversize 0.002 (57)..... 64.95

POWER STEERING CONTROL VALVES-REBUILT

Cores Must Be Like for Like



LATE VALVE

- 3A730-C Rebuilt P/S Control Valve (Late 1957) 219.95
- Core Deposit..... 350.00



3C705

- 3C705 Cap Control Valve P/S (55/57)..... 16.95



3A728-B

- 3A728-B Shield, late P/S Control Valve Ball Stud (57)..... 6.95

POWER STEERING CONTROL VALVE INFO

Use Type F or FA P/S Fluid



Early Power P/S Control Valves had (3) Large Ports and (1) Small Port.



Later P/S Control Valves had (3) Small Ports and (1) Large Port.



3A754-B

- 3A754-B Sleeve, Ball Stud "Late Valve" (57)..... 24.00



372895-S 372896-S

- 372895-S Seat, P/S Control Valve and Ram Cylinder 1/4" 6.95
- 372896-S Seat, P/S Control Valve and Ram Cylinder 3/8" 6.95



3A764-B

- 3A764-B Seal Kit, P/S Ram Cylinder End (57) 18.85

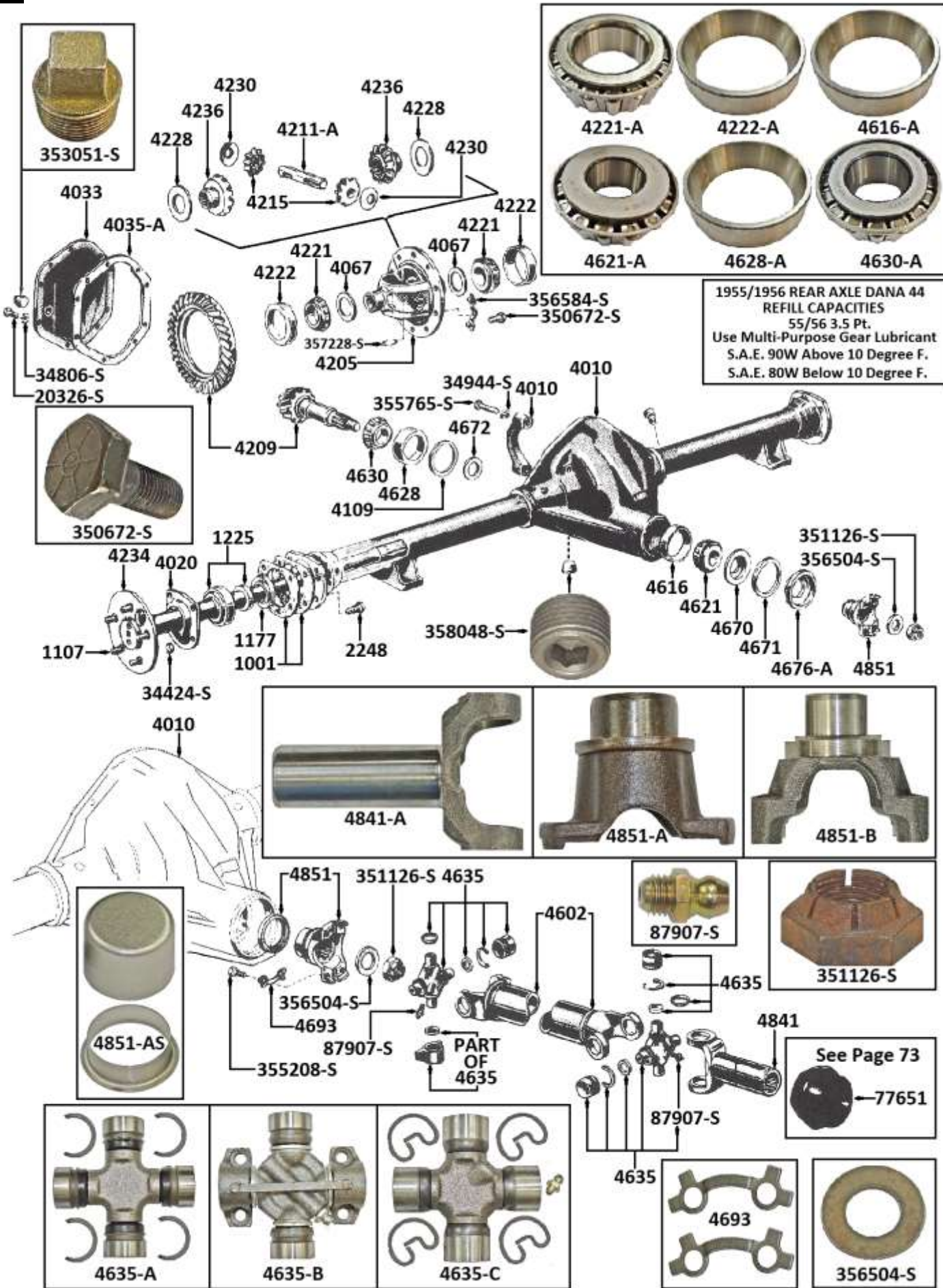
3A610	Bracket & Retainer, P/S Hose Insulator.....	20.95
39909-S	Screw for 3A610A and 3A611 Mounting.....	0.90
39909-S	(Image of screw)	
3A609	Insulator, P/S Hose	7.50
3A610-A	P/S Hose Insulator Holder Only	13.60
3A611	Arm Only, 3A610-A to Frame.....	8.95
3A713	Hose, P/S Return Line	28.95
18572-B	Clamp, Power Steering Return Hose.....	4.80
3A714-A	Hose, P/S Control Valve to Cylinder Head End.....	24.95
3A714B-ADP	Adapter to Fit 57 Style Ram & Hoses to 55/56 Power Steering Control Valve (3A730).....	10.95
3A714-B	Hose, P/S Control Valve to Cyl Head End Correct Length (57).....	23.95
3A717-A	Hose, P/S Control Valve to Cylinder Head End (55/56).....	24.95
34814-S	Lockwasher, 7/8".....	1.00
72035-S	Cotter Pin, 1/8" x 1".....	0.25
351153-S	Nut, 7/8" - 14	3.00
385002-S	Nut, Castle, 1/2" - 20	1.35
3A719-A	Hose—P/S Pressure Line—Pump to Control Valve Female Fitting at Top (Pump) End	35.95
3A719-B	Hose—P/S Pressure Line—Pump to Control Valve Male Fitting at Top (Pump) End.....	35.95

POWER STEERING HOSE KITS

3720-CK (SHOWN)

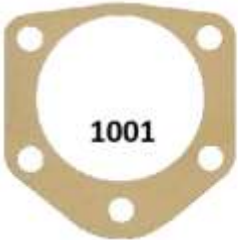
3720-AK	Power Steering Hose Kit (55/56) Includes 3A713, 3A714-A, 3A717-A & 3A719-A	109.90
3720-BK	Power Steering Hose Kit (Early 57) Includes 3A713, (2) 3A714-B & 3A719-A.....	107.90
3720-CK	Power Steering Hose Kit (Late 57) Includes 3A713, (2) 3A714-B & 3A719-B.....	107.90

1955/56 Rear Axle, Driveshaft and Related Parts



1955/1956 REAR AXLE DANA 44
REFILL CAPACITIES
55/56 3.5 Pt.
Use Multi-Purpose Gear Lubricant
S.A.E. 90W Above 10 Degree F.
S.A.E. 80W Below 10 Degree F.

1955/1956 Thunderbird Rear Axle and Driveshaft Parts



1001 Gasket, Axle Retainer



1177 Seal, Rear Axle 1.70
5.00



1225 Rear Axle Bearing, Includes Retainer 31.49



2248-A Bolt, Rear Brake Carrier Plate (55/56) Call
34424-S7 Nut, Use at Rear Axle Bolt (2248) 1.50
4033 Cover Rear End Housing (Used, 55/56) Call
4035-A Gasket, Rear Axle Carrier (55/56) 6.50
4067 Shim Differential Bearing (55/56) Call
4109 Shim Driving Pinion Bearing Cup (55/56) Call
4209 Ring Gear & Pinion Set (55/56) Call
4211-A Shaft, Differential Pinion (55/56) Call



DRIVESHAFT INFORMATION

Part#	Year	Trans	A	B	C	D
4602-A	1955	ALL	5-1/4"	3-1/8"	27"	1-1/2"
4602-B	1956	F/M-S/T	5-11/32"	3-1/2"	27"	1-1/2"
4602-C	1956	O/D	6-1/2"	3-1/2"	23-15/16"	1-5/8"

4602 Usually Includes the 4635 and 4841

4602-A	Driveshaft, 1955 292 S/T-O/D-F/M (16T).....	Call
4602-B	Driveshaft, 1956 292/312 S/T-F/M (16T).....	Call
4602-C	Driveshaft, 1956 312 O/D (16T).....	Call
4616-A	Cup, Driving Pinion Bearing (55/56).....	19.10
4621-A	Cone & Roller, Driving Pinion (55/56).....	31.85
4628-A	Cup, Driving Pinion Bearing Rear (55/56).....	19.45
4630-A	Cone & Roller, Driving Pinion Rear (55/56).....	37.85
4635-A	U-Joint, Front (55).....	16.00
4635-B	U-Joint, Rear (55).....	30.00
4635-C	U-Joint, Front & Rear (56/57).....	15.30
4670-A	Slinger, Driving Pinion Shaft (55/56).....	9.00



4671	Gasket, Driving Pinion Oil Seal (55/56).....	1.75
4672	Shim Kit, Differential (55/56).....	Call
4676-A	Pinion Seal (55/56).....	15.90
4693	Plate Driveshaft Flange Lock (Pair Only) (55).....	6.00
4841-A	Slip Yoke B5A4841 (16T-Spline) (55).....	Call
4841-B	Slip Yoke B5C4841 (16T-Spline) 292 S/T (56).....	Call
4841-C	Slip Yoke (56 O/D-F/M) (57 O/D) B6S4841 (16T-Spline)....	Call
4851-A	Yoke, Pinion Flange (55) 8M4851A.....	Call
4851-AS	Sleeve, Pinion Yoke Repair (55/56).....	59.85
4851-B	Yoke Pinion Flange (56) 8C4851.....	Call
20326-S	Bolt, Cover (4033) to Carrier, 5/16" - 18 x 5/8".....	0.40
34806-S	Lock washer, 5/16".....	0.20
77651	Boot, Rubber Transmission Output (Like Original).....	18.45
87907-S	Lubricator Fitting (Straight).....	0.60
350672-S	Bolt, Gear to Case, 3/8" - 24 x 15/16" Special.....	Call



4215-AK Pinion Kit Differential (55/56) 249.95

4221-A Cone & Roller Differential Bearing (55/56) 42.85
4222-A Cup Differential Bearing (55/56) 22.40
4228-A Washer Differential Side Gear (55/56) Call
4228-PK Differential Side Gear Washer Pack (55/56) Call
4230-A Washer Differential Pinion Thrust (55/56) Call
4234-A Rear Axle Shaft RH or LH (55/56) New 19 Splines, 27-31/32" Long Call



4236-A Gear Differential Side (55/56) Call
4529 U-Bolt for (55/56) U-Joint (Pair) Each 6.30



351126-S	Nut, Pinion Flange to Pinion (55/56) Special Ford NOS.....	12.00
353051-S	Plug, Filler, 3/4" x 15/16" Pipe (55/56) Special Ford NOS ...	2.50
356504-S	Washer, Pinion Flange Nut (55/56) Special Ford NOS.....	6.00
357228-S	Pin, Shaft Lock, 15/64" x 1-7/16" Special Ford NOS.....	2.00
358048-S	Plug, Drain, 3/4".....	3.95



1957 Thunderbird Rear Axle - Driveshaft Related Parts



1001 Gasket, Axle Retainer 1.70
 1177 Seal, Rear Axle 5.00



1225 Rear Axle Bearing, Includes Retainer 31.49
 2248-B Bolt, Rear Brake Carrier Plate (1957) 9.00



4022-B Bolt, Rear Brake Breather (57) 22.80
 4035-B Gasket, Rear Axle Carrier (57) 5.60
 4067 Nut/Shim Differential Bearing Adjust (57) Call
 4143 Lock Differential Bearing Adjusting Nut (57) Call
 4209 Ring Gear & Pinion Set (55/57) Call
 87710-S Plug, (57) Differential - 3/8" Pipe 4.35

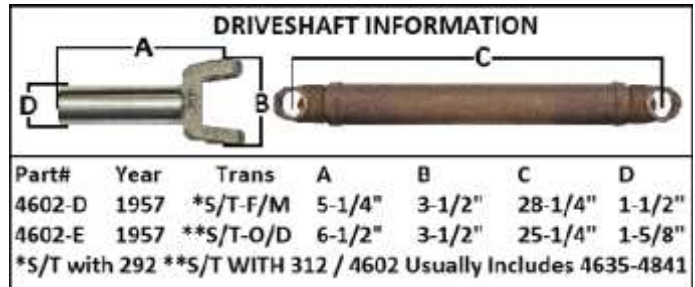


4211-B Shaft Differential Pinion (57) 15.10

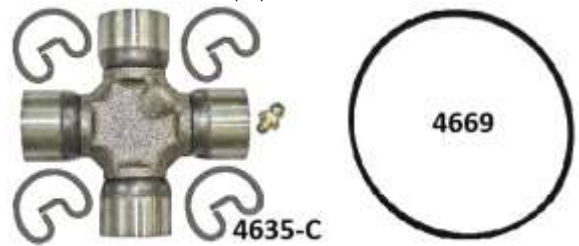
4215-B Pinion Kit Differential Shaft (57) Call
 4221-B Cone & Roller Differential Bearing (57) 23.85
 4222-B Cup Differential Bearing (57) 15.80
 4228-B Washer Differential Side Gear (57) Call
 4230-B Washer Differential Pinion Thrust (57) Call
 4234-B Rear Axle Shaft RH (New) (57)
 28 Splines 30-7/16" Long 6-12" Flange Call
 4234-C Rear Axle Shaft LH (New) (57)
 28 Splines 26-1/16" Long 6-12" Flange Call
 4236-B Gear Differential Side (57) Call
 4298 Deflector, Pinion Flange (57) Call
 4347 Bolt Differential Carrier Call



4529 U-Bolt for U-Joint (56/57) Each 6.30
 4614 Retainer & Bearing Cup Assembly (Original) (57) Call
 4614-A Retainer Replacement (57) ****See Note**** 149.00
 4616-B Cup Driving Pinion Bearing (57) 11.85
 4616-C Cup Driving Pinion Bearing (57) use with 4614-A 27.99
 4621-B Cone & Roller Driving Pinion (57) 22.85
 4621-C Cone & Roller Driving Pinion (57) use with 4614-A 49.45



4602-D Driveshaft 1957 292 S/T-312 F/M (28T) Call
 4602-E Driveshaft 1957 312 S/T-O/D (16T) Call
 4625 Bearing Pinion Pilot (57) 55.90
 4627 Retainer Pinion Pilot (57) 9.85



4635-C Front or Rear Universal Joint (56-57) 15.30
 4662 Spacer Driving Crush Sleeve 9" (57) 8.75
 4663 Shim Driving Pinion Bearing (57) Call
 4669 O-Ring Driving Pinion Bearing Retainer (57) 3.45
 4670-B Slinger Driving Pinion Shaft (57) 4.85



****NOTE ON 4614-A****
 Original 1957 Pinion Seals were 4-1/8" Diameter. Later Service Replacement 4614 Retainer used a 3" Seal. Check the Diameter of your Seal before ordering. If a New 4614 Retainer is required please call for more info.

4676-B Pinion Seal (57) 4-1/8" Diameter-Original Size 17.95
 4676-C Pinion Seal (57) See Note 3" Diameter 19.95
 4676-D Pinion Seal (57) National Seal Leather 4-1/8" Dia 24.95



4841-C Slip Yoke (1956 O/D F/M) (1957 O/D) B6S4841A Call
 4841-D Slip Yoke (292 S/T 312 F/M) Replacement-28 Spline (57) .. 125.00
 4851-BS Sleeve Pinion Yoke Repair (57) 59.65
 4851-C Yoke Pinion Flange (28-Spline) (Used Original) (57) Call
 4851-CC Yoke Pinion Flange (28-Spline) (Replacement) (57) 129.95
 359475-S Pin Shaft Lock 3.00



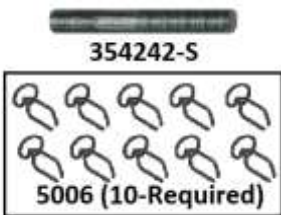
34424-S7 Nut, Use at Rear Axle Bolt (2248) 1.50
 87675-S Plug, Filler, 1/2" Pipe at (4141) Carrier 4.00
 351588-S Washer Pinion Flange Nut (Original Type) (57) Call
 371518-S Locknut Pinion Flange (Original Type) (57) Call
 373820-S Washer Rear End Carrier (5-Required at Bottom) (57) Call
 389546-S Nut Pinion Flange to Pinion (Replacement) (57) 11.00

1955/57 Thunderbird Frame - Body Mounting Kits & Hardware



5005-FS

5005-FS	Front Engine Mount-Welds to Frame.....	39.95
5006	Body Bumper Clip.....Each	0.40
5007	Bumper, Frame to Body Insulator.....Each	3.00
354242-S	Stud, Radiator Support to Frame.....Each	3.00



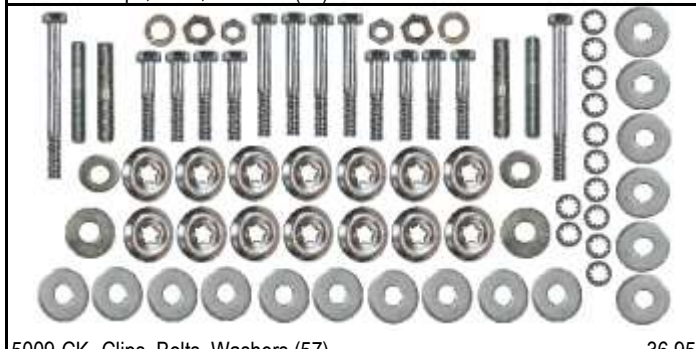
354242-S

5006 (10-Required)

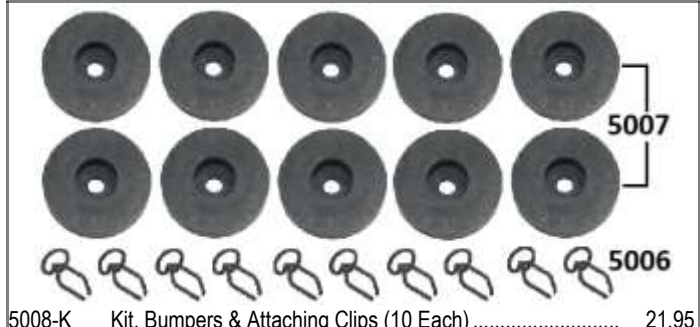


BODY TO FRAME MASTER KIT

5009-BK Clips, Bolts, Washers (56)..... 44.95



5009-CK Clips, Bolts, Washers (57)..... 36.95



5007

5006

5008-K Kit, Bumpers & Attaching Clips (10 Each)..... 21.95

BODY TO FRAME MASTER KIT



5005-AK	Body to Frame Master Kit (55).....	179.00
5005-BK	Body to Frame Master Kit (56).....	199.00
5005-CK	Body to Frame Master Kit (57).....	189.00

5059A were Bolted on and 5059B were Welded on.



5059-A (SHOWN)

5059-A	Cross Member Transmission Mount (55/56, Used).....	Call
5059-B	Cross Member Transmission Mount (57, Used).....	Call



K5059



7075

K5059	Kit, Cross Member Transmission Mount (55/56).....	3.60
7075	Transmission Alignment Plate Rear Mount (57).....	Call

BODY TO FRAME BOLT KIT ONLY



5009-AK Clips, Bolts, Washers (55)..... 39.95



357000-S

357001-S

357002-S

357000-S	J-Nut, On Frame for Body Bolts.....	4.95
K5009J	Body to Frame J-Nuts Only (All Years, 10 Pieces).....	48.50
357001-S	Washer Formed, Body Bolt to Body (55/56).....	1.20
357002-S	Washer, Body Bolt to Body (57).....	1.10



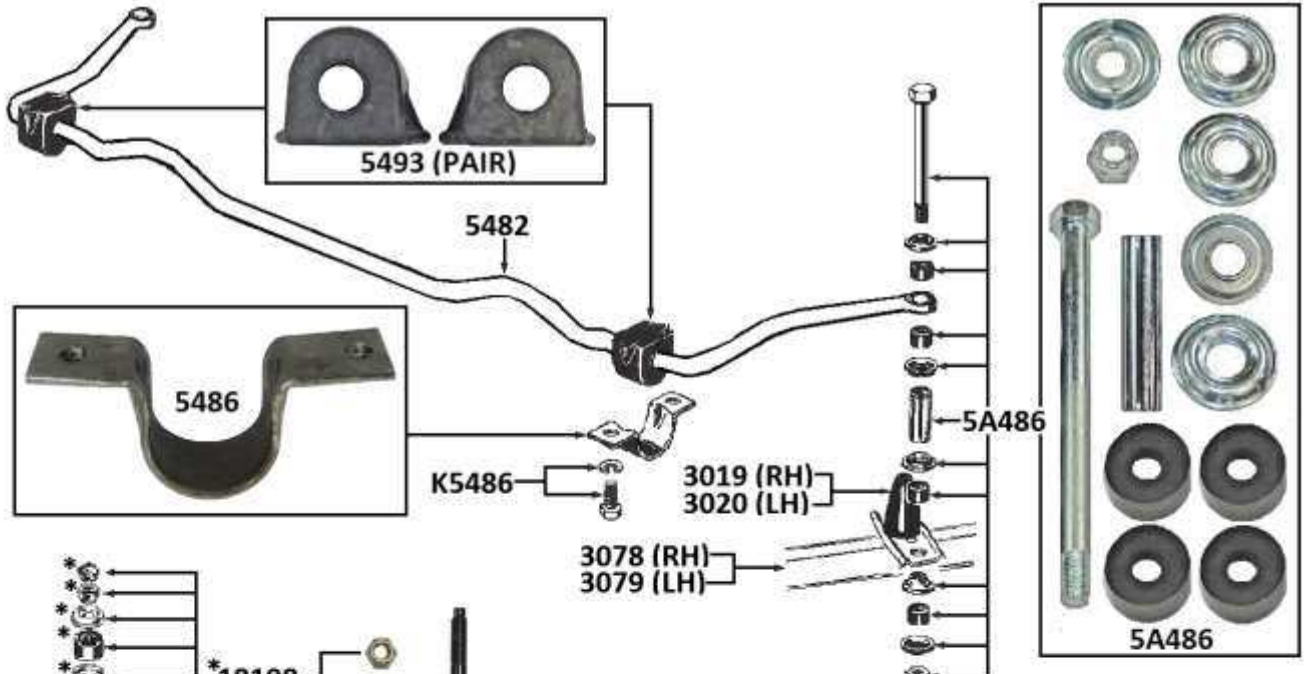
393000-S

393001-S

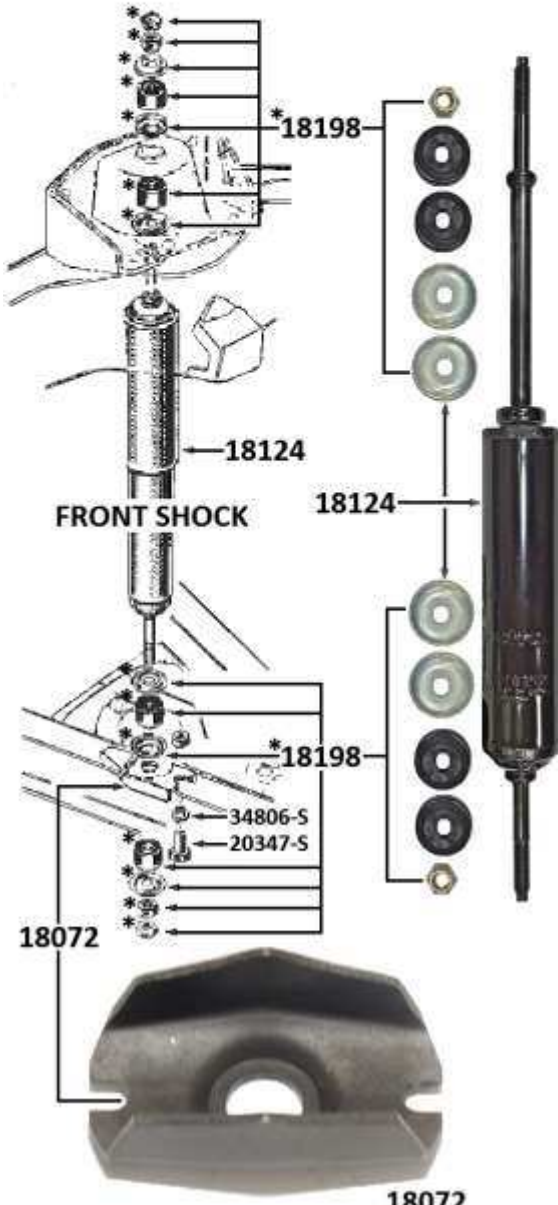
393002-S

393003-S

393000-S	Shim 1/8" Thick.....	1.10
393001-S	Shim 1/16" Thick.....	1.20
393002-S	Spacer Steel Body Mount 5/16" Thick (10/Per Car).....	2.20
393003-S	Insulator Rubber at rear Cross Member (56, Pair).....	6.69



5482 Front Sway Bar (Used Original) Call



18072	Bracket Lower Front Shock Mount.....	16.95
18124-A	Shock Absorber Front Heavy Duty.....Each	49.95
18124-KP	Shock Absorber Front KYB Performance Plus.....Each	64.95
18198	Bushing & Mounting Kit, (1 Shock).....	10.00

FRONT SWAY BAR MOUNTING KIT

Kit Includes (2) 5A486 & (1) Pair of 5493

5482-K Includes 2-Each of 5A486 & a Pair of 5493s..... 44.00

K5486

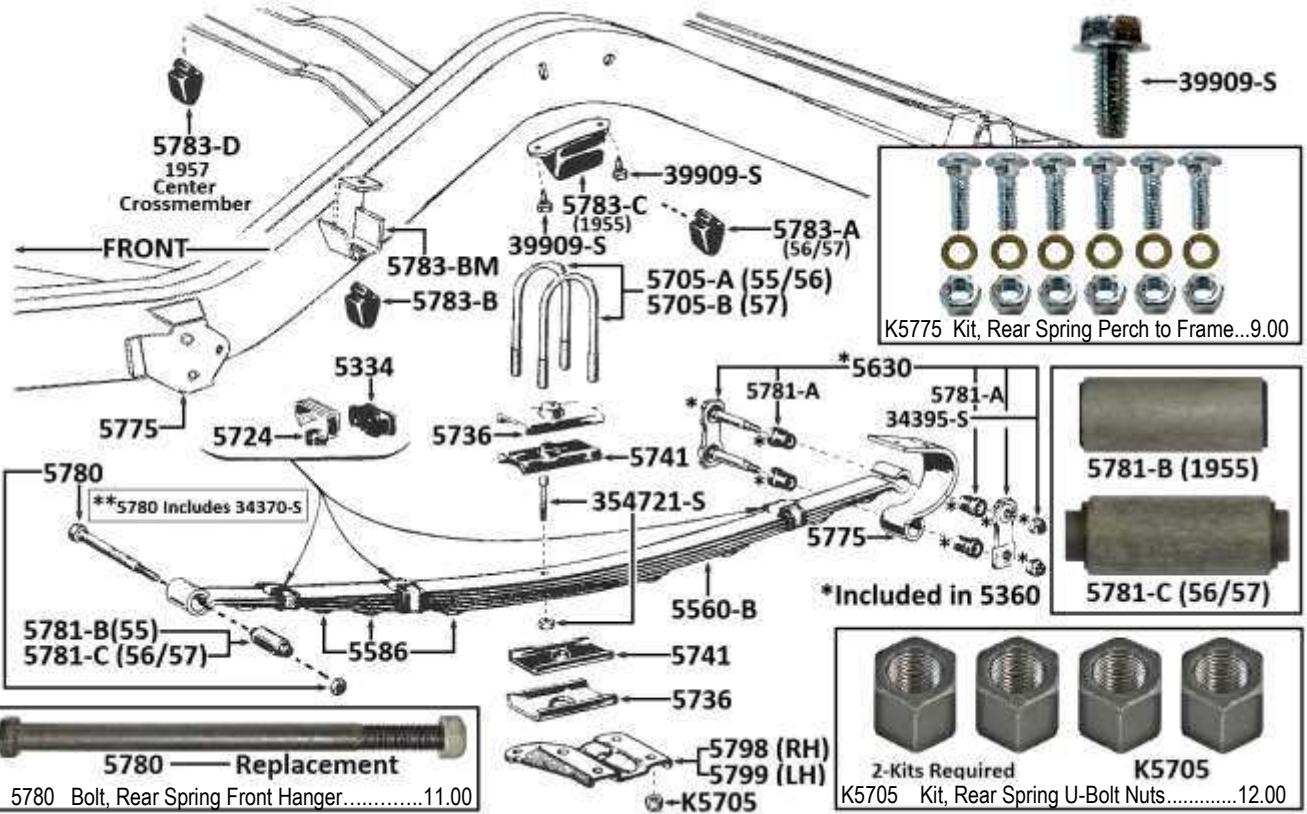
5486	Clamp, Stabilizer Bar, Hold Up.....	8.35
K5486	Kit, Stabilizer Bar Bracket (5486) to Frame.....	3.45
5A486	Kit, Stabilizer Bar End Repair (2 Required)..... Each	16.50
5A486-K	Kit, Stabilizer Bar End Repair (Does Both Sides).....	32.00
5493	Insulator, Front Sway Bar (Pair).....	12.00

PERFORMANCE HANDLING KIT

Performance Handling Kit, Includes Front & Rear Heavy Duty Sway Bars. 7/8" Dia., Heavy Duty Gas Shocks All Attaching Hardware & Detailed Instructions

5482-FR	Performance Handling Kit.....	779.00
5482-F	Sway Bar Kit, Front Only, Heavy Duty	279.00
5A772-R	Sway Bar Kit, Rear Only, Heavy Duty	279.00
18125-PK	Shock Kit, (4) KYB Performance Plus.....	259.80

1955/1957 Thunderbird Rear Springs, Shocks & Related Parts



34395-S	Nut used at (5630) Rear Hanger.....	1.30
39909-S	Bolt, Brake Block and Line Clip to Frame.....	0.90

REAR LEAF SPRINGS MADE IN THE USA

5560-A	Rear Leaf Springs (5-Leaf) (55).....	349.00
5560-B	Rear Leaf Springs (5-Leaf) (56/57).....	279.00

354721-S Tie Bolt for Rear Springs with Nut..... 4.95

REAR SPRING REPAIR KIT

Kit Includes: 2-5630, 4-5741, 2-5780, 12 or 16 5586-A 6-5334-A (55/56) or 6-5334-B (1957) 2-5781, 2-354721-S

5560-AKF	Rear Spring Repair Kit (55) with Original Fiber 5586	199.95
5560-BKF	Rear Spring Repair Kit (56/57) with Original Fiber 5586	189.95
5560-AKP	Rear Spring Repair Kit (55) with Plastic 5586	179.95
5560-BKP	Rear Spring Repair Kit (56/57) with Plastic 5586	169.95

Note Anti-Squeak Pads (16 used on 55) (12 used on 56/57)


18125-A Shock Absorbers Rear Heavy Duty

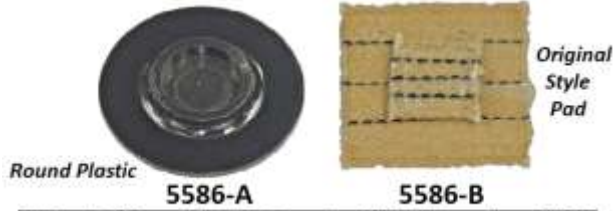
REAR SPRING INSTALL KIT
Includes: 4-5741, 2-5780, 8-5781A, 2-5781B or 2-5781C

5560-KA	Rear Spring Install Kit (55) Use 5781B.....	73.95
5560-KB	Rear Spring Install Kit (56/57) Use 5781C.....	73.95
18125-S	Springs Only for Rear Shocks (Pair)	4.15
18198	Shock Bushing & Mounting (1 Shock)	10.00
18198-K	Shock Bushing & Mounting Kit	36.00

18125-A	Shock Absorbers Rear Heavy Duty	49.95
18125-KP	Shock Absorbers Rear KYB Performance Plus	64.95
18125-AIR	Air Shocks Rear with Lines (Pair)	149.95



1955/1957 Thunderbird Rear Springs & Related Parts

		
5334-A	5334-B	
5334-A	Liner, Rear Spring Clamp Rubber (55/56)	1.55
5334-B	Liner, Rear Spring Clamp Rubber (57)	2.10



Note: Anti-Squeak Pads (16 used on 1955) (12 used on 56/57)		
5586-A	Anti-Squeak, Rear Spring Pad (Replacement)	1.45
5586-B	Anti-Squeak, Rear Spring (Reproduction of Original)	3.00
5586-K	Leaf Spring Pads (5586-B), set of 12	34.95

			
	5724		
	6-Required		
5724	Kit, Rear Spring Leaf Clamp.....	Each	7.95

		
5736	5741	
5736	Retainer, Rear Spring (4-Required)	9.00
5741	Insulator, Rear Spring (4-Required)	6.95
5775	Rear Spring Bracket (Used Original)	Call
K5775	Kit Rear Spring Perch to Frame	9.00

REAR SPRING SHACKLE KIT

5630	Rear Spring Shackle Kit (2-Required)	17.50
------	--	-------

	5780	
5780	Bolt, Rear Spring Front Hanger (Replacement)	11.00

U-BOLT REAR SPRINGS (4-Required)

5705-A	U-Bolt, Rear Spring (55/56)	14.00
5705-B	U-Bolt, Rear Spring (57)	14.00
5705-N	Nut, U-Bolt (Single Nut)	Each 3.00
K5705	Kit Rear Spring U-Bolt Nuts, 4-Pcs (2-Kits Required)	12.00
5705-AK	Kit Rear Spring, 4-U-Bolts & 8-Nuts (55/56)	76.00
5705-BK	Kit Rear Spring, 4-U-Bolts & 8-Nuts (57)	76.00

			
5781-A	5783-A	5783-B	
5781-A	Bushing, Rubber Rear of Spring (8-Required)	Each	1.20
5781-B	Bushing, Rear Spring Metal (55 Front)		8.95
5781-C	Bushing, Rear Spring Metal (56/57 Front)		8.95

			
39909-S	5783-C	39909-S	5783-D
5783-A	Bumper, Rear Axle (56/57)		6.50
5783-B	Bumper, Rear Spring (55/56)		6.50
5783-C	Bumper, Rear Axle with Metal Plate (55)		10.75
K5783	Kit Rear Axle Bumper to Frame		2.50
5783-D	Bumper, Differential - Original Shape (57)		6.70
39909-S	Screw to Attach 5205, 5207, 5278 and 5279		0.90

	354721-S	
354721-S	Tie Bolt for Rear Springs, with Nut	4.95

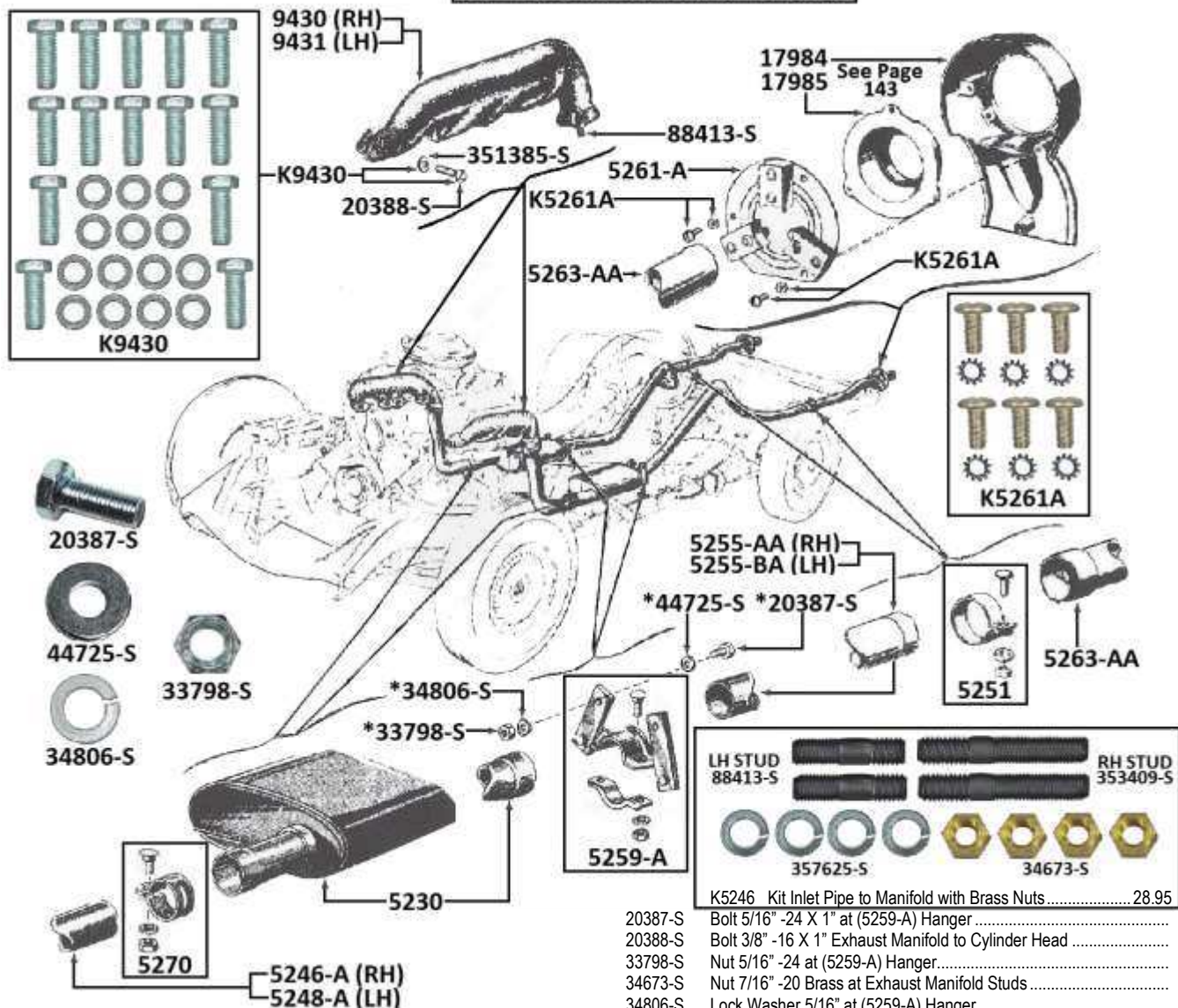
KIT REAR SPRING CLAMP & LINER - 1957

5724-BK	Kit Rear Spring Clamps & Lines for (57) Exactly Like Original, Includes 6-Clamps, 6-Liners & Instructions. (1 Kit per Car)	20.95
---------	--	-------

		
5783-AP	5783-BM	
5783-AP	Mounting Plate for (5783-A) Bumper Above	6.70
5783-BM	Mounting for (5783-B) Bumper Welds to Frame (55/56)	18.95

	5798	
5798	Bracket, Rear Spring Mounting (RH Used)	Call
5799	Bracket, Rear Spring Mounting (LH Used)	Call

SEE PAGE 45 FOR PARTS PICTURES



EXHAUST PIPE KIT

Includes: (2)5230 Mufflers (1)5246A RH Downpipe (1)5248A LH Downpipe (1)5255AA RH Front Pipe (1)5255BA LH Front Pipe (2)5263AA Rear Pipes

- 5256-55A Exhaust Kit Aluminized (55) Exhaust Pipes and Mufflers 429.00
- 5256-55S Exhaust Kit Stainless Steel (55) Exhaust Pipes and Mufflers Call

1955 EXHAUST HANGER KIT

SS-STAINLESS STEEL 5261-A REAR HANGER N/A IN SS



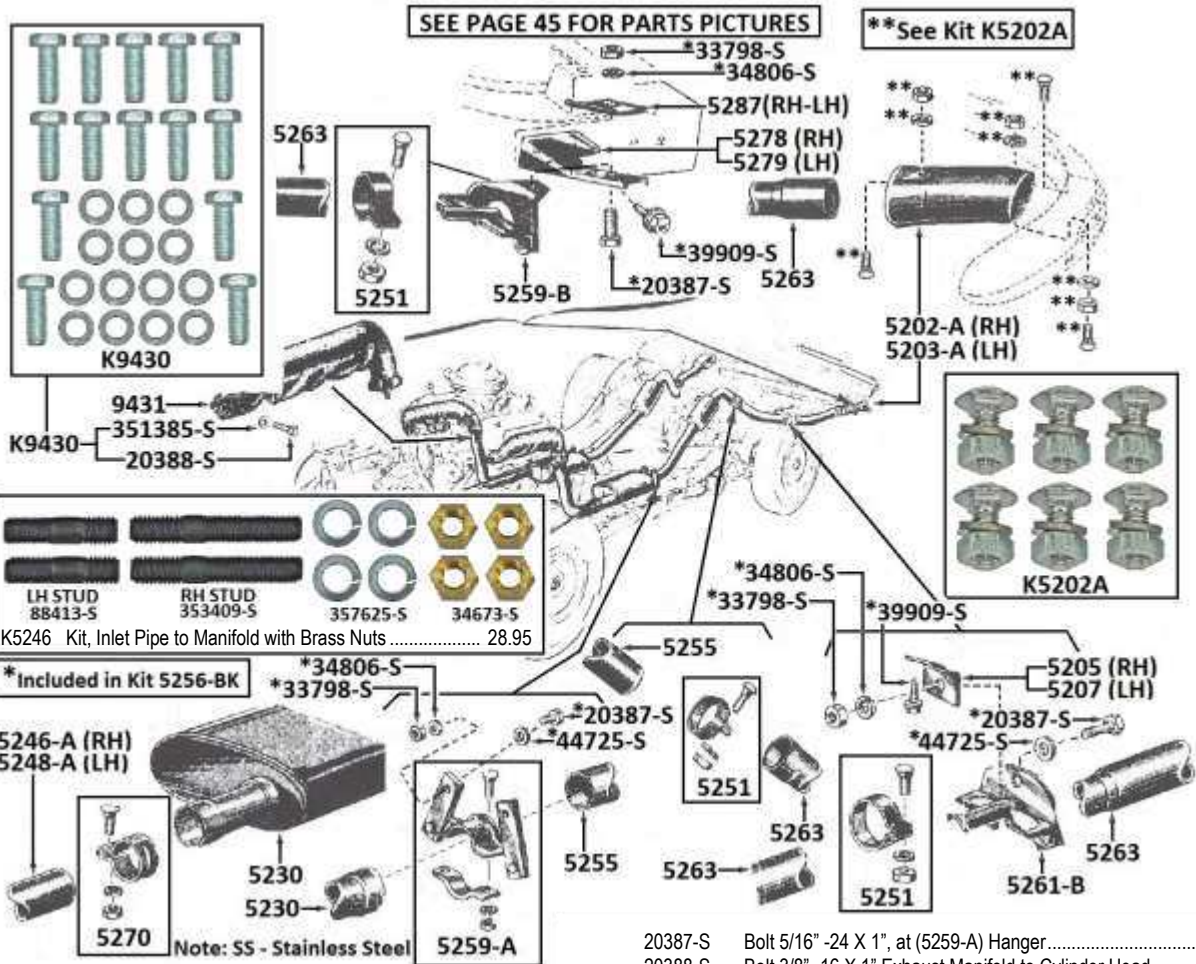
- 5256-AK Exhaust Clamp & Hanger Kit (55) 94.95
- 5256-AKS Exhaust Clamp & Hanger Kit (55, Stainless Steel) 136.00

K5246	Kit Inlet Pipe to Manifold with Brass Nuts	28.95
20387-S	Bolt 5/16" -24 X 1" at (5259-A) Hanger	0.60
20388-S	Bolt 3/8" -16 X 1" Exhaust Manifold to Cylinder Head	0.90
33798-S	Nut 5/16" -24 at (5259-A) Hanger	0.30
34673-S	Nut 7/16" -20 Brass at Exhaust Manifold Studs	2.25
34806-S	Lock Washer 5/16" at (5259-A) Hanger	0.20
44725-S	Flat Washer 5/16" at (5259-A) Hanger	0.20
88413-S	Stud, Exhaust Manifold Downpipes (LH Side)	4.70
351385-S	Washer at Exhaust Manifold to Cylinder Head	0.40
353409-S	Stud, Exhaust Manifold Downpipes (RH Side)	4.90
357625-S	Lock Washer 7/16" at Exhaust Manifold Studs	0.25
K5261A	Kit Rear Exhaust Hanger to Guards	2.00
5230	Muffler Aluminized	89.00
5230-SS	Muffler Stainless Steel	Call
5246-A	Pipe Muffler Inlet (RH)	49.95
5248-A	Pipe Muffler Inlet (LH)	49.95
5251	Clamp Intermediate (2-Required)	6.00
5251-SS	Clamp Intermediate (Stainless Steel) (2-Required)	10.95
5255-AA	Pipe Muffler Outlet (55, RH)	49.95
5255-BA	Pipe Muffler Outlet (55, LH)	49.95
5259-A	Hanger Front Muffler Outlet (2-Required)	21.80
5259-ASS	Hanger Same as Above (Stainless Steel) (2-Required)	31.80
5261-A	Exhaust Bracket Rear (55), (2-Required)	12.50
5263-AA	Tailpipe Rear Extension (55), (2-Required)	27.95
5270	Clamp Muffler Inlet Pipe to Muffler 2" (2-Required)	6.00
5270-SS	Hanger Same as Above (Stainless Steel) (2-Required)	12.85

ALSO SEE PAGE 49 AND 96

9A427	Valve Exhaust Heat Riser	84.95
9430-A	Exhaust Manifold RH (55/57)	279.00
9431-A	Exhaust Manifold LH (55/57)	279.00
9430-K	Gasket Set Exhaust Manifolds to Cylinder Heads	15.95
K9430	Kit, Exhaust Manifolds (9430 & 9431) to Heads	5.80
9A435	Spacer to Replace (9A427)	19.95
9450	Gasket Exhaust Manifold to Inlet Pipe (3-Required)	2.90

1956 Thunderbird Exhaust & Related Parts



EXHAUST SYSTEM KITS - 1956		
5256-56A	Exhaust Kit Aluminized 56 Pipes and Mufflers.....	429.00
5256-56AR	Exhaust Kit Aluminized 56 with Resonators.....	579.00
5256-56S	Exhaust Kit Stainless 56 without Resonators.....	Call
5256-56SR	Exhaust Kit Stainless 56 with Resonators.....	Call

1956 EXHAUST HANGER KIT		
5256-BK	Exhaust Clamp & Hanger Kit (56).....	189.00
5256-BKS	Exhaust Clamp & Hanger Kit (56, Stainless Steel).....	299.00

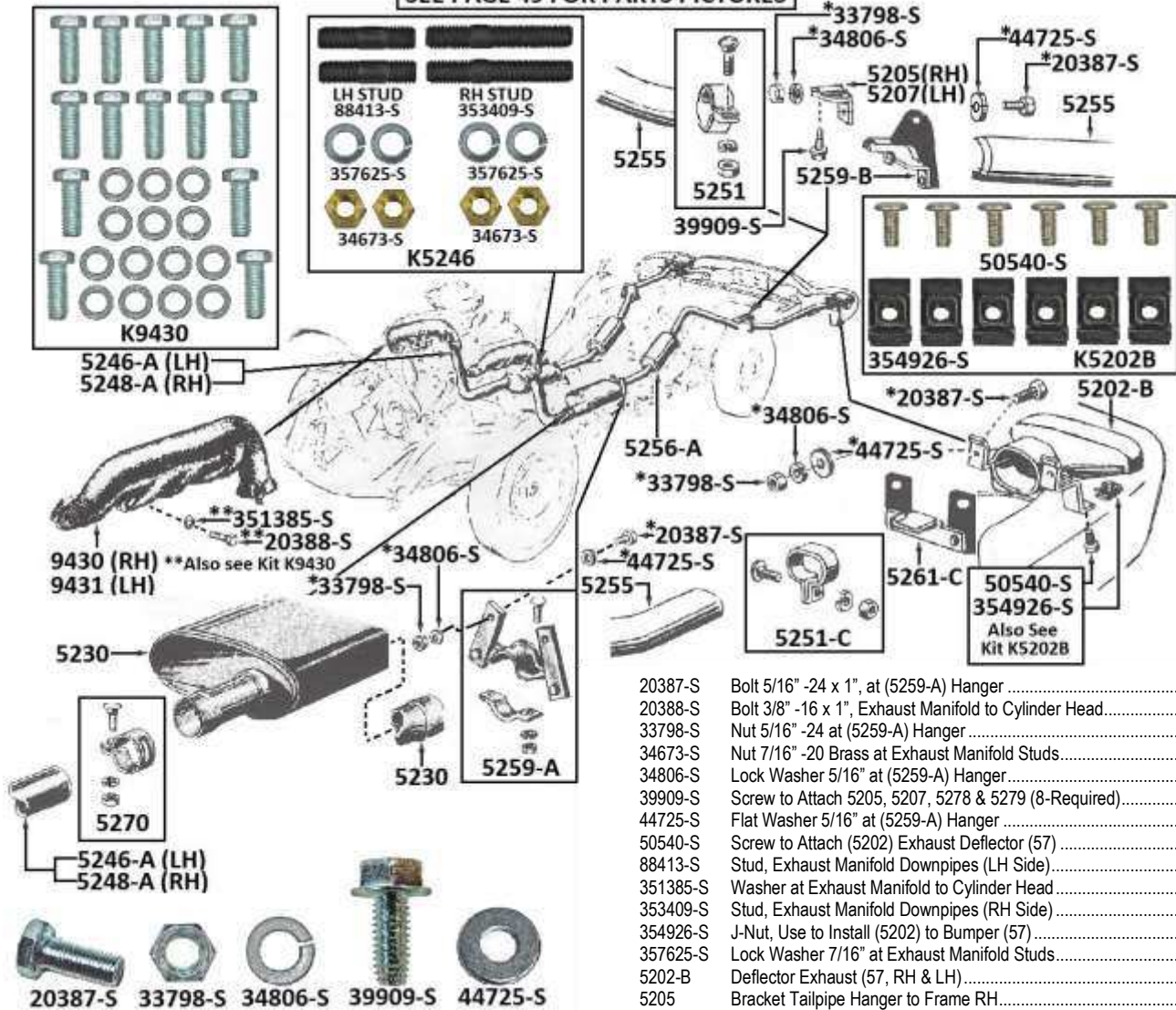
K5202A	Kit, Exhaust Deflectors (5202-3) to Bumper.....	9.00
K5246	Kit Inlet Pipe to Manifold with Brass Nuts.....	28.95

ALSO SEE PAGE 45 AND 90		
9A427	Valve Exhaust Heat Riser.....	84.95
9430-A	Exhaust Manifold RH (55/57).....	279.00
9431-A	Exhaust Manifold LH (55/57).....	279.00
9430-K	Gasket Set Exhaust Manifolds to Cylinder Heads.....	15.95
K9430	Kit, Exhaust Manifolds (9430 & 9431) to Heads (28-Pcs).....	5.80
9A435	Spacer to Replace (9A427).....	19.95
9450	Gasket Exhaust Manifold to Inlet Pipe (3-Required).....	2.90

20387-S	Bolt 5/16" -24 X 1", at (5259-A) Hanger.....	0.60
20388-S	Bolt 3/8" -16 X 1" Exhaust Manifold to Cylinder Head.....	0.90
33798-S	Nut 5/16" -24 at (5259-A) Hanger.....	0.30
34673-S	Nut 7/16" -20 Brass at Exhaust Manifold Studs.....	2.25
34806-S	Lock Washer 5/16" at (5259-A) Hanger.....	0.20
39909-S	Screw to Attach 5205, 5207, 5278 & 5279 (8-Required).....	0.90
44725-S	Flat Washer 5/16" at (5259-A) Hanger.....	0.20
88413-S	Stud, Exhaust Manifold Downpipes (LH Side).....	4.70
351385-S	Washer at Exhaust Manifold to Cylinder Head.....	0.40
353409-S	Stud, Exhaust Manifold Downpipes (RH Side).....	4.90
357625-S	Lock Washer 7/16" at Exhaust Manifold Studs.....	0.25
5202-A	Deflector Exhaust (56 RH).....	Call
5203-A	Deflector Exhaust (56 LH).....	Call
5205	Bracket Tailpipe Hanger to Frame (RH).....	6.15
5207	Bracket Tailpipe Hanger to Frame (LH).....	6.15
5230	Muffler Aluminized.....	89.00
5230-SS	Muffler Stainless Steel.....	Call
5246-A	Pipe Muffler Inlet (RH).....	49.95
5248-A	Pipe Muffler Inlet (LH).....	49.95
5251	Clamp Intermediate (6-Required).....	6.00
5251-SS	Same as Above (Stainless Steel).....	10.95
5255-CA	Pipe Muffler Outlet (56 RH).....	42.95
5255-DA	Pipe Muffler Outlet (56 LH).....	42.95
5255-EA	Pipe Muffler Outlet (56 RH with Resonator).....	119.95
5255-FA	Pipe Muffler Outlet (56 LH with Resonator).....	119.95
5256-A	Resonator.....	90.00
5259-A	Hanger Front Muffler Outlet (2-Required).....	21.80
5259-ASS	Hanger Same as Above (Stainless Steel).....	31.80
5259-B	Hanger Intermediate 56 (2) & Rear Tailpipe (2).....	15.15
5259-BSS	Hanger Same as Above (Stainless Steel).....	25.50
5261-B	Hanger, Rear Tailpipe (56, 2-Required).....	15.15
5261-BSS	Same as Above (Stainless Steel).....	25.50
5263-BA	Tailpipe Rear Extension (56, RH).....	35.95
5263-CA	Tailpipe Rear Extension (56, LH).....	35.95
5270	Clamp Muffler Inlet Pipe to Muffler 2" (2-Required).....	6.00
5270-SS	Hanger Same as Above (Stainless Steel).....	12.85
5278	Bracket Tailpipe Hanger Rear (56, RH).....	11.50
5279	Bracket Tailpipe Hanger Rear (56, LH).....	11.50
5287	Plate Rear Tailpipe Hanger (56, RH & LH).....	3.50

1957 Thunderbird Exhaust & Related Parts

SEE PAGE 49 FOR PARTS PICTURES



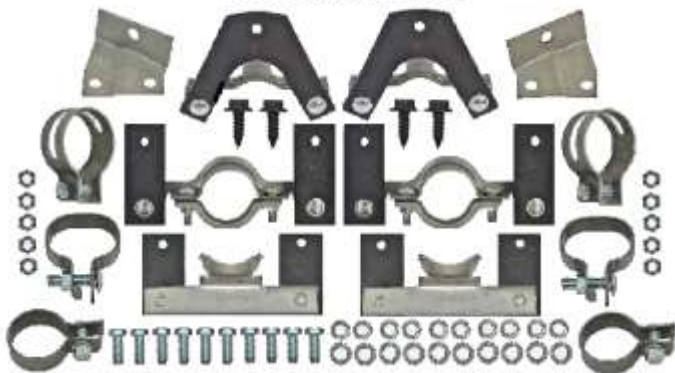
K5202B	Kit, Exhaust Deflectors (5202) to Bumper.....	26.30
K5246	Kit Inlet Pipe to Manifold with Brass Nuts.....	28.95

EXHAUST SYSTEM KITS - 1957

Includes (2)5230 (1)5246A (1)5248A
(1)5255-RH (1)5255-LH

5256-57A	Exhaust Kit Aluminized 57 Pipes and Mufflers	409.00
5256-57AR	Exhaust Kit Aluminized 57 with Resonators	569.00
5256-57S	Exhaust Kit Stainless 57 without Resonators	Call
5256-57SR	Exhaust Kit Stainless 57 with Resonators	Call

1957 EXHAUST HANGER KIT SS - STAINLESS STEEL



5256-CK	Exhaust Clamp & Hanger Kit (57)	169.00
5256-CKS	Exhaust Clamp & Hanger Kit (57, Stainless Steel)	239.00

20387-S	Bolt 5/16" -24 x 1", at (5259-A) Hanger	0.60
20388-S	Bolt 3/8" -16 x 1", Exhaust Manifold to Cylinder Head.....	0.90
33798-S	Nut 5/16" -24 at (5259-A) Hanger	0.30
34673-S	Nut 7/16" -20 Brass at Exhaust Manifold Studs.....	2.25
34806-S	Lock Washer 5/16" at (5259-A) Hanger	0.20
39909-S	Screw to Attach 5205, 5207, 5278 & 5279 (8-Required).....	0.90
44725-S	Flat Washer 5/16" at (5259-A) Hanger	0.20
50540-S	Screw to Attach (5202) Exhaust Deflector (57)	1.75
88413-S	Stud, Exhaust Manifold Downpipes (LH Side).....	4.70
351385-S	Washer at Exhaust Manifold to Cylinder Head.....	0.40
353409-S	Stud, Exhaust Manifold Downpipes (RH Side)	4.90
354926-S	J-Nut, Use to Install (5202) to Bumper (57)	3.00
357625-S	Lock Washer 7/16" at Exhaust Manifold Studs.....	0.25
5202-B	Deflector Exhaust (57, RH & LH).....	47.99
5205	Bracket Tailpipe Hanger to Frame RH.....	6.15
5207	Bracket Tailpipe Hanger to Frame LH	6.15
5230	Muffler Aluminized.....	89.00
5230-A	Muffler Stainless Steel	Call
5246-A	Pipe Muffler Inlet RH	49.95
5248-A	Pipe Muffler Inlet LH	49.95
5251	Clamp Intermediate (2) Can also use 5251-B (C-Type).....	6.00
5251-SS	Clamp Intermediate (Stainless Steel)	10.95
5251-B	Clamp C-Split Type Intermediate (2 Required).....	9.45
5251-C	Clamp Rear like Original (2 Required).....	6.90
5251-CSS	Clamp Same as Above (Stainless Steel).....	10.95
5255-KA	Pipe Muffler Outlet 57 RH (2 Pieces).....	69.95
5255-LA	Pipe Muffler Outlet 57 LH (2 Pieces)	69.95
5255-MA	Pipe Muffler Outlet 57 RH (2 Pieces) with Resonator	149.95
5255-NA	Pipe Muffler Outlet 57 LH (2 Pieces) with Resonator.....	149.95
5256-A	Resonator.....	90.00
5259-A	Hanger Front Muffler Outlet (2-Required).....	21.80
5259-ASS	Hanger Same as Above Stainless Steel.....	31.80
5259-B	Hanger Intermediate 57 (2 Required).....	15.15
5259-BSS	Hanger Same as Above (Stainless Steel)	25.50
5261-C	Hanger Rear Tailpipe 57 (2 Required).....	11.85
5261-CSS	Hanger Same as Above (Stainless Steel)	19.90
5270	Clamp Muffler Inlet Pipe to Muffler 2" (2-Required).....	6.00
5270-SS	Hanger Same as Above (Stainless Steel)	12.85

ALSO SEE PAGE 49 AND 96

9A427	Valve Exhaust Heat Riser	84.95
9430-A	Exhaust Manifold RH (55/57)	279.00
9431-A	Exhaust Manifold LH (55/57)	279.00
9430-K	Gasket Set Exhaust Manifolds to Cylinder Heads.....	15.95
K9430	Kit, Exhaust Manifolds (9430 & 9431) to Heads (28-Pcs).....	5.80
9A435	Spacer to Replace (9A427).....	19.95
9450	Gasket Exhaust Manifold to Inlet Pipe (3-Required)	2.90

1955/1957 Thunderbird Exhaust Related Parts



- 5230 Muffler Aluminized (55/57, 2 Required)..... 89.00
- 5230-SS Muffler Stainless Steel (55/57, 2 Required) Call



- 5230-HS Heat Shields for Mufflers (55/57, Pair) 72.95
- 5256-A Resonator 56/57 (2 Required)..... 90.00



- 5251 Clamp Intermediate (55/57, 2 Required) 6.00
- 5251-SS Clamp Intermediate (55/57, Stainless Steel) (2 Required) . 10.95
- 5251-B Clamp C-Split Type Front (2 Required)..... 9.45
- 5251-C Clamp Rear like Original (57, 2 Required)..... 6.90
- 5251-CSS Clamp Same as Above (57, Stainless Steel) 10.95
- 5270 Clamp Muffler Inlet Pipe to Muffler 2" (55/57, 2-Required) . 6.00
- 5270-SS Hanger Same as Above (55/57, Stainless Steel)..... 12.85



- 5259-A Hanger Front Muffler Outlet (55/57, 2-Required) 21.80
- 5259-ASS Hanger Same as Above (55/57, Stainless Steel)..... 31.80
- 5259-B Hanger Intermediate (56/57, 2 Required) 15.15
- 5259-BSS Hanger Intermediate (56/57, Stainless Steel) 25.50



- 5261-A Exhaust Bracket Rear (55, 2 Required) 12.50
- 5261-B Hanger Rear Tailpipe (56, 2 Required) 11.85
- 5261-BSS Hanger Same as Above Stainless (56, 2 Required) 19.90



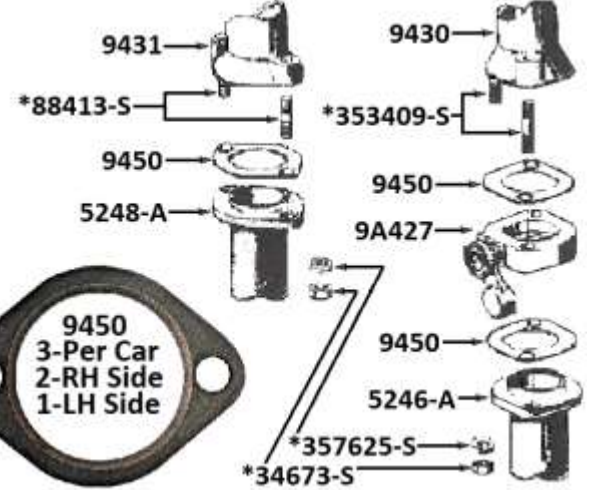
- 5261-C Hanger Rear Tailpipe (57, 2 Required) 11.85
- 5261-CSS Hanger Same as Above Stainless (57, 2 Required) 19.90
- 5205 Bracket Tailpipe Hanger to Frame RH (56/57)..... 6.15
- 5207 Bracket Tailpipe Hanger to Frame LH (56/57) 6.15



- 5278 Bracket Tailpipe Hanger Rear (56, RH) 11.50
- 5279 Bracket Tailpipe Hanger Rear (56, LH)..... 11.50
- 39909-S Screw to Attach 5205, 5207, 5278 and 5279..... 0.90



- 9A427 Valve Exhaust Heat Riser (55/57)..... 84.95
- 9A435 Spacer to Replace (9A427) (55/57) 19.95
- 5287 Plate Rear Tailpipe Hanger (56) 3.50



- 9450 3-Per Car 2-RH Side 1-LH Side
- LH STUD 88413-S
- RH STUD 353409-S
- 357625-S
- 34673-S
- K5246 Kit, Inlet Pipe to Manifold with Brass Nuts 21.00



- 9430-A Exhaust Manifold Repro with EDB-9430-A RH (55/57)..... 279.00
- 9430-B Exh Manifold RH (Used Original with ECH-9430-A)..... Call
- 9430-C Exh Manifold RH (Used Original with EDB-9430-A) Call
- 9431-A Exhaust Manifold Repro with ECJ-9431-A LH (55/57)..... 279.00
- 9431-B Exh Manifold LH (Used Original with ECJ-9431-A) Call
- 9431-C Exh Manifold LH (Used Original with ECJ-9431-C) Call
- 9430-K Gasket Set Exhaust Manifolds to Cylinder Heads..... 15.95
- 9450 Gasket Exhaust Manifold to Inlet Pipes (3-Required)..Each 2.90



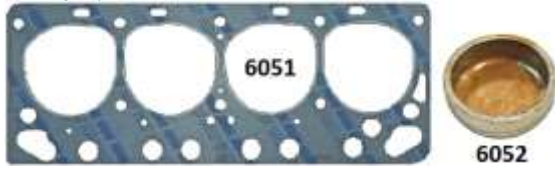
- 9435-K Gasket Set Exhaust Manifolds to Cylinder Heads and Inlet Pipes, Includes (1)9430-K and (3)9450 Gaskets). 23.95

1955/1957 Thunderbird Cylinder Head, Camshaft, Piston and Related Parts

6A008	Dowel Cylinder Head Alignment	Call
6019	Timing Chain Cover, Used Original (EBV6059G)	75.00
K6019	Kit to Install Timing Cover to Engine Block	9.00
6020-K	Timing Cover Gasket Set	29.95



6023	Pointer Engine Timing	15.29
6026-A	Freeze Plug Kit, Engine (Steel)	13.90
6026-B	Same as Above (Brass)	29.90
6049	Cylinder Head (Ford Replacement) Call for Info	150.00
87710-S	Plug, Block, 3/8" Pipe	4.35
87837-S	Plug, Cylinder Block, 1/4" Pipe	1.25

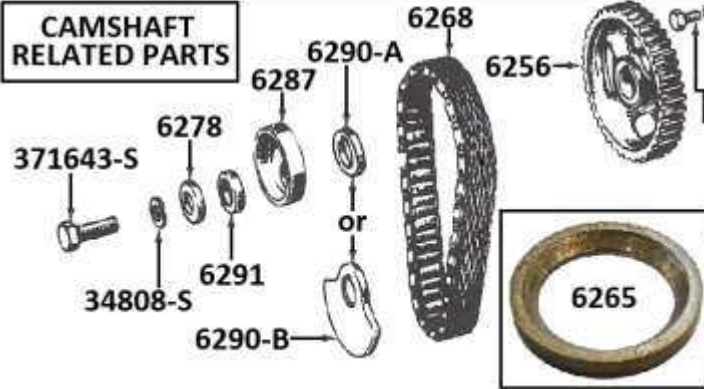


6051	Head Gasket	39.95
6052	Plug, Cylinder Head	4.00



6079	Gasket Set, Valve Grind	164.95
------	-------------------------------	--------

CAMSHAFT RELATED PARTS



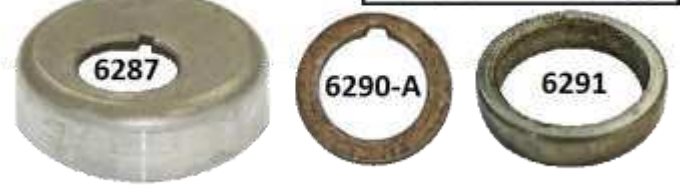
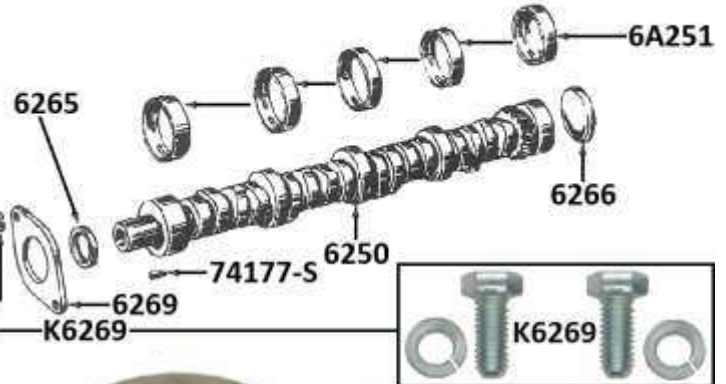
6250	Camshaft (New)	279.00
6A251	Camshaft Bearing Set (Bushing)	Call
6256	Sprocket, Timing Chain Camshaft	43.80
6265	Spacer Camshaft Sprocket	Call
6266	Plug, Rear of Block	3.00



6268	Timing Chain	49.30
6268-K	Timing Chain and Gear Set 292/312 (55/57)	119.00
6269	Camshaft Thrust Plate	Call
K6269	Kit, Camshaft Thrust Plate	1.20



6108	Piston Set	Call
6148	Piston Ring Set	Call
6200-A	Connecting Rod EBU-292	Call
6200-B	Connecting Rod ECZ-312	Call
6211	Bearing Set Connecting Rods	Call
6212	Nut Connecting Rod	Call
6214	Bolt Kit, Connecting Rods 292/312	Call
6278	Washer Camshaft Sprocket	12.00



6287	Eccentric Camshaft Fuel Pump Drive	Call
6290-A	Spacer Camshaft Fuel Pump Eccentric	Call
6290-B	Spacer Counter Weight	Call
6291	Spacer Camshaft Fuel Pump Drive	Call



6306	Sprocket Timing Chain Camshaft	34.50
6677	Cover, Starter Pinion (Paint Engine Color)	Call
20426-S	Bolt, Bell Housing to Block, 7/16" - 14 x 2-1/2"	3.25
34808-S	Lock washer, 7/16"	0.25
73249-S	Dowel Alignment, Standard Trans Bell Housing	10.00
74177-S	Key, Timing Gear to Camshaft	0.75
351385-S	Washer, Intake and Exhaust Manifolds	0.40
357217-S	Engine Freeze Plug, 1-3/4"	4.20
371643-S	Bolt, Camshaft (Used Original)	Call

1955/1957 Thunderbird Crankshaft and Related Parts

CRANKSHAFT AND RELATED PARTS

Tech Information

Journal Diameter

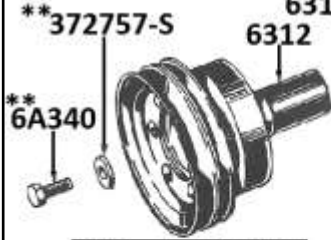
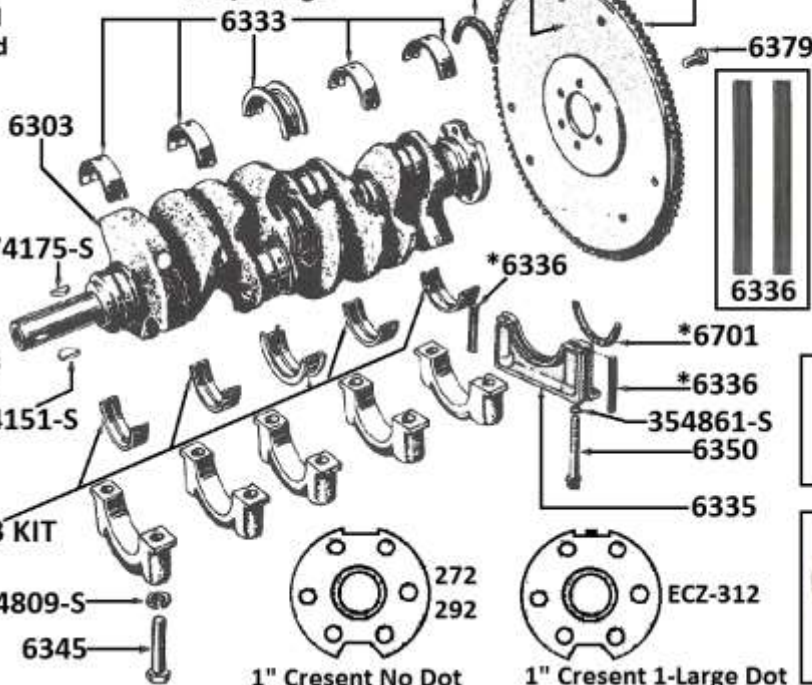
Rod: 2.1880" - 2.1888" Standard
 Main 292: 2.4980" - 2.4988 Standard
 Main 312: 2.6240" - 2.6248" Standard



6312-T

6392 Standard Trans
 Bell Housing Paint
 Engine Color
 Red/Orange

*6701 OR SEE KIT 6A321



**372757-S
 6A340
 6310
 6312
 6306
 6310
 6312
 6700

**See Kit K6312

Tech Info Crank Main Brg Caps
 EBU6329A-292
 ECZ6329A-312

6303	Crankshaft 292/312.....	Call
6306	Sprocket Timing Chain Crankshaft.....	34.50
6310	Slinger Crankshaft Oil.....	15.00

6A340	Bolt, Harmonic Balancer.....	3.00
372757-S	Washer, Vibration Damper.....	Call
6350	Bolt, Rear Main Cap.....	Call
354861-S	Washer, Rear Seal Cap Bolt (6350).....	Call



6312-A

6312-R (Shown)

K6312

6312	Harmonic Balancer Pulley Assembly.....	599.95
6312-A	Speedy-Sleeve for Pulley & Damper Assembly.....	18.25
6312-R	Harmonic Balancer Pulley Assembly (Rebuilt).....	349.95
	Core Charge	200.00
6312-T	Damper and Pulley Remover (Also see page 218).....	49.00
6316-T	Damper Install Tool (Also see page 218).....	59.85
K6312	Kit, Flywheel Damper to Crankshaft.....	11.85
74151-S	Key, Flywheel Damper to Crankshaft.....	1.10
74175-S	Key, Timing Gear to Crankshaft.....	0.90



6366



K6366

6366	Cover Flywheel Inspection S/T (Used).....	Call
K6366	Kit, Flywheel Inspection Cover (6366).....	6.00
6375	Flex Plate Early (55, Used Original, F/M).....	Call
6375-A	Flex Plate Later Design F/M (Reproduction 55/57).....	64.95
6375-S	Plate Flywheel Reinforcement, Thick Type F/M.....	7.45
6379-A	Bolt Flywheel Flex Plate to Crankshaft F/M.....	Call
6379-S	Bolt Flywheel to Crankshaft S/T— O/D.....	Call
6384	Gear Flywheel Righ with S/T and O/D.....	44.70
6392	Bell Housing Standard Transmission (AG6394B) (Used)....	Call
73249-S	Dowel Alignment Standard Trans Bell Housing.....	10.00



6A321-D



6335-BC

6A321-A	Seal, Rear Main, 292, Neoprene.....	22.85
6A321-D	Seal, Rear Main, 312, Neoprene.....	59.95
6A321-G	Seal, Rear Main, 312, Graphite Rope Type.....	49.95

6333	Bearing Set Main.....	Call
------	-----------------------	------

6335-A	Crankshaft Rear Seal Retainer, 292 & Instructions.....	169.95
6335-AC	Cap Only Crankshaft Seal, 292.....	129.95
6335-B	Crankshaft Rear Seal Retainer, 312 & Instructions.....	174.95
6335-BC	Cap Only Crankshaft Seal, 312.....	129.95



6436
 Starter Seal



6700

6436	Seal, Starter to Flywheel Housing.....	13.50
6700	Seal, Timing Chain From Cover.....	14.85

1955/1957 Thunderbird Rocker Arms and Related Parts



6563	Rocker Arm Assembly	Call
6563-S	Shaft Only, Rocker Arm	34.45
6564	Rocker Arm	Each 45.00
6565-A	Push Rod, 292 - 8-19/64" Long (55/57)	Each 15.75
6565-B	Push Rod, 292 & 312 - 8-188" Long (56/57) Except 57 Dual-4 and S/C	Each 15.75

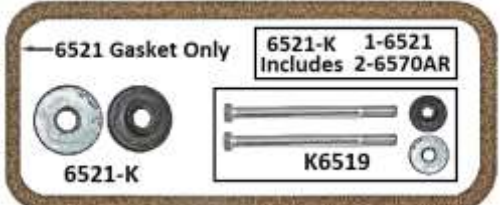


6570-AR	Grommet for Steel Valve Covers and Valley Pan 4-Required for Valve Covers / 2-for Valley Pan	Each 1.80
6570-BR	Grommet for Aluminum & Chrome Valve Covers (4-Req.)	Each 1.20
6571	Seal, Valve Stem	Each 2.00
6572	Plug, Rocker Arm Shaft, Limited Quantity Available	8.75
6575	Bracket, Rocker Arm Oil Tube	2.65
6575-A	Drip Trough, Used Originals Triangle Shape	3.00
6575-B	Drip Trough, Front of Engine Block Timing Chain	Call

6500	Valve Lifter	Each 15.85
6505	Valve Exhaust	Call



6A506-A	Kit Rocker Arm Covers with Aluminum Covers Includes 2 Gaskets & 4 Grommets	22.95
6A506-AK	Kit Rocker Arm Cover Gaskets & Hardware To Install Aluminum Valve Covers Gaskets, Grommets, Studs, Washers and Nuts	49.95
6A506-G	Gasket Only Rocker Arm Covers	9.95
6A506-S	Kit Rocker Arm Covers with Steel Painted Covers Includes 2 Gaskets & 4 Grommets	24.95
6507-A	Valve Intake 292	Call
6507-B	Valve Intake 312	Call
6513	Valve Spring	Each 4.85
6514	Retainer - Valve Spring except Dual-4 and S/C	Call
6518	Valve Keeper (2 Halves Required)	Each 0.90
6519	Valley Pan (Used Original)	Call
6519-E	Valley Pan (Flat E-Bird Replacement)	159.00
K6519	Kit, Valley Pan Cover to Block	2.25



6521	Valley Pan Gasket	7.50
6521-K	Kit, Valley Pan Gaskets and Grommets	11.00
6A527-C	Bolt, Rocker Arm and Shaft to Cylinder Head	Call
6531	Rocker Arm Support	Call
6549	Screw, Rocker Arm Adjusting Supplied with (6564) Rocker Arm Only	NLA
6552	Lock Nut, Valve Rocker Arm	1.70

VALVE COVER KITS

Includes (2) 6582 Aluminum Valve Covers
(4) Chrome Washers (4) Chrome Nuts (4) Grommets
(4) Studs (2) Valve Cover Gaskets

6582-K	Aluminum Valve Cover Kit	709.95
6582-CK	Chrome Valve Cover Kit	749.95
6582	Aluminum Valve Cover (Reproduction)	Each 340.00
6582-C	Chrome Valve Cover (Reproduction)	Each 360.00



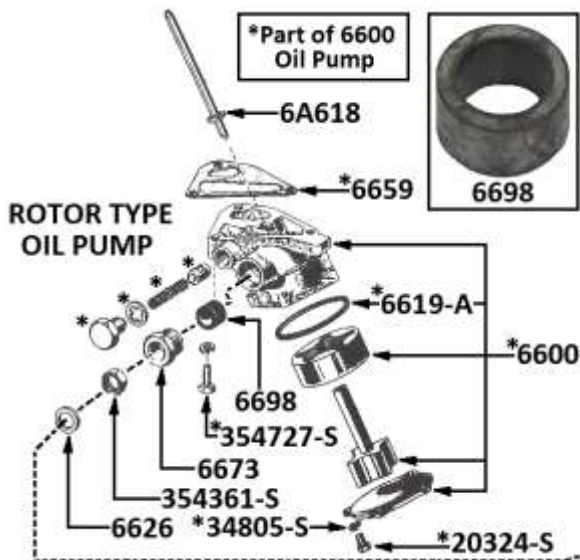
K6582K	Kit, Washer, Nut, Seals - For Aluminum & Chrome V/C	22.00
K6582N	Kit, Nuts Only - For Aluminum & Chrome V/C (Pkg of 4)	12.00
K6582NSW	Kit, Washer, Nut, Studs - For Aluminum & Chrome V/C	28.00
K6582S	Kit, Studs Only - For Aluminum & Chrome V/C (Pkg of 4)	12.00
K6582W	Kit, Washers Only For Aluminum & Chrome V/C (Pkg of 4)	6.00
354054-S	Washer, Alum. & Chrome Valve Covers (Chrome)	Each 1.50
354576-S	Stud, Use with Aluminum & Chrome Valve Covers	Each 3.00
354577-S	Nut, Crown Alum. & Chrome Valve Covers (Chrome)	Each 3.00
6582-S	Valve Cover Steel (Used Original)	Call
354575-S	Stud, Use with Steel Valve Covers	Each 2.00
354526-S	Nut, Use with Steel Rocker Arm Covers (Special)	Each 2.50

6587	Spring, Rocker Tube Arm	Call
6588	Oil Outlet Tube	12.95
6590	Washer, Rocker Arm Sleeve	Call
6598	Washer, Spring Valve Rocker Arm	Call



6766-AR	Oil Cap, Chrome Reproduction, RR Stamped on Top	31.80
6766-BR	Oil Cap, Black without Dress Up Kit (1957)	29.95
6766-CR	Oil Cap, Replacement	12.85

1955/1957 Thunderbird Engine Oil Pump, Pickup Tube and Oil Pan



6600 Oil Pump (Rotor Type) - Includes Mounting Gasket 199.00



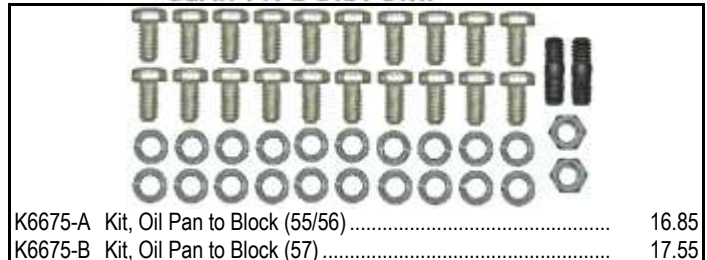
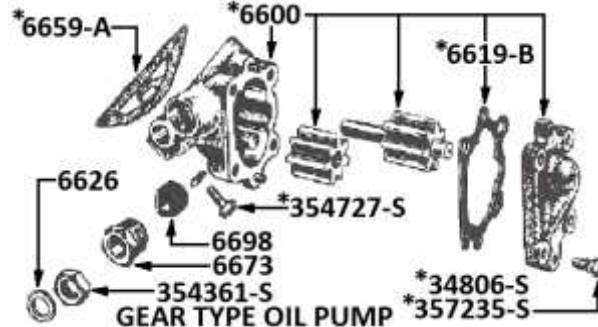
6A618 Shaft, Oil Pump Intermediate 24.15



6619-A Gasket, Oil Pump Cover (Rotor Type Pump) 3.40
 6619-B Gasket, Oil Pump Cover (Gear Type Pump) 3.00
 6626 Gasket, Oil Pump Inlet Tube 1.50



6659 Gasket, Oil Pump to Block (Rotor Type Pump) 3.89
 6659-A Gasket, Oil Pump to Block (Gear Type Pump) 2.49
 6673 Nut, Oil Pump to Oil Pan Inlet Tube 15.00
 6698 Seal, Oil Pickup Tube to Oil Pump 8.00
 6698-F Seal, Oil Pickup Tube to Oil Pump (NOS Ford Original) 12.00



K6675-A Kit, Oil Pan to Block (55/56) 16.85
 K6675-B Kit, Oil Pan to Block (57) 17.55

ENGINE OIL PICKUP TUBE

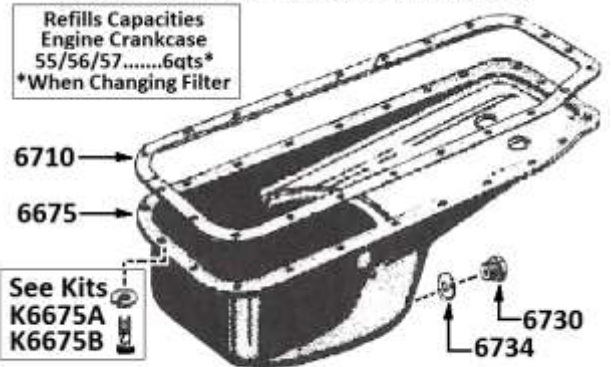


6622 Oil Pick-Up Tube (Used Original) Call
 6623 Screen Assembly for Oil Dump Call
 6626 Gasket, Oil Pump Inlet Tube 1.50



6628 Retainer Oil Pump Screen 11.45
 354361-S Nut, Oil Pickup Tube to Pan Call

ENGINE OIL PAN AND RELATED PARTS



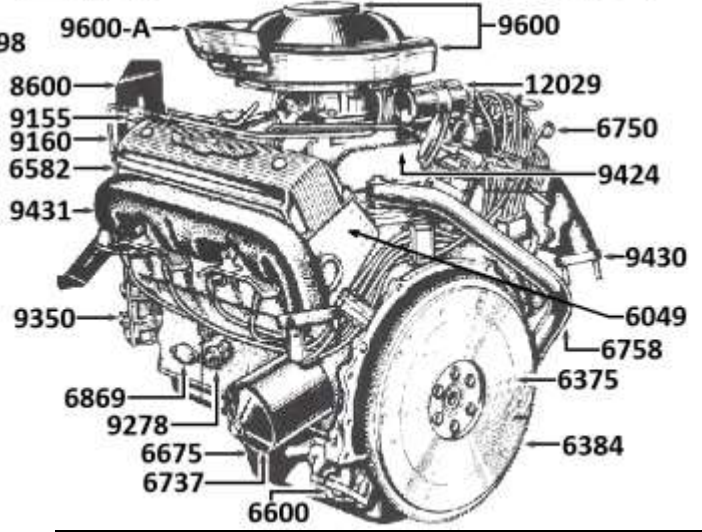
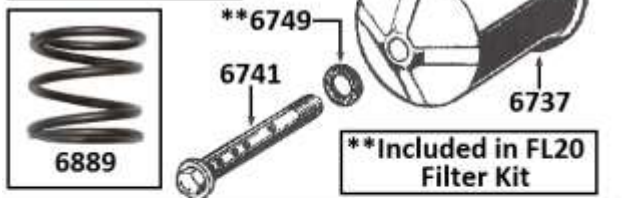
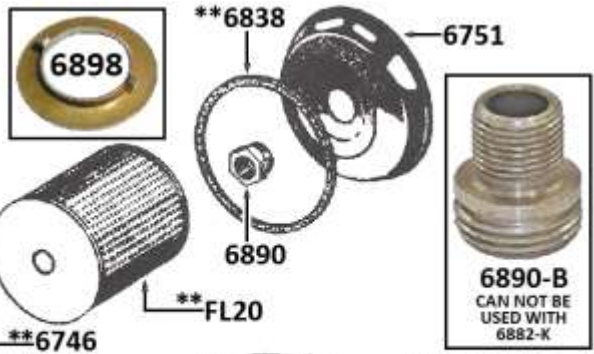
6675 Oil Pan 292/312 Call



6710 Gasket Set, Oil Pan 28.95
 6710-G Gasket Only, Oil Pan 10.85
 6730-A Plug, Oil Drain Pan, 7/8" Diameter (55/56) 5.85
 6730-B Plug, Oil Drain Pan, 1/2" Diameter (57) 5.59
 6730-C Plug, Oversized for Oil Drain Pan (55/56) 13.95
 6730-D Plug, Oversized for Oil Drain Pan (57) 6.15



6734-A Gasket, Oil Drain Plug-7/8" (Plastic) (55/56) 1.40
 6734-B Gasket, Oil Drain Plug-1/2" (Plastic) (57) 1.20
 6734-C Gasket, Oil Drain Plug-7/8" (Copper) (55/56) 3.45



FL20	Oil Filter Element "Can Type" (55/56)	13.99
FL1A	Oil Filter "Spin-On Type" (57)	12.99
6737	Cover, Oil Filter "Can Type" (Used)	25.00
6741	Bolt-On Filter "Can Type" (Used Original)	Call



6749	Gasket, Oil Filter Center Block	3.00
6870	Gasket, Crank Vent Tube	1.90
6872	Gasket, Block Vent Tube Opening Cover	1.80
357875-S	Plug, Cylinder Block Oil Level Indicator Tube Hole	1.50

6750	Oil Level Dipstick (Exact Reproduction)	24.75
------	---	-------



6751	Diaphragm, Element Type Oil Filter	Call
6754	Tube, Dipstick	24.30
6838	Gasket, Oil Filter Diaphragm	2.80
6869	Cover, Cylinder Block Vent	8.00

OIL FILTER ADAPTER KIT
Converts Can Type Filter to Spin-On Type Filter
Comes with Adapter Plate, Gasket, Insert
**6838 Sold Separately

6882-K	Oil Filter Adapter Kit	23.75
6882-AK	Oil Filter Adapter Kit with Oil Filter	34.95

OIL PRESSURE SENDER UNIT
9278

ROAD DRAFT TUBE
Road Draft Tube-Paint Gloss Black
Also see 6870 and K6758

6758	Tube Road Down Draft	44.59
9278	Oil Pressure Sender Unit	13.45
K6758	Kit, Down Draft Tube (6758) to Engine	2.00

PCV CONVERSION KIT

6758-AK	Kit, PCV Conversion (55/56)	75.00
6758-BK	Kit, PCV Conversion (57)	85.00
6758-B	PCV Valve, Used in PCV Kit	12.95
6758-H	Hose PCV Valve, Used in PCV Kit	19.95
377394-S	Grommet, Used in PCV Kit	10.00
6889	Spring, Oil Filter Element	4.95
6890-A	Insert, Oil Filter Mounting Bolt (Can-Type) (EAA6890C)	Call
6890-B	Insert, Oil Filter Mounting (Spin-On Type) Original Type	39.85
6898	Retainer, Oil Filter Element	16.00



21090-S	Bolt, Front Motor Mount.....	3.50
6A027	Spacer, Front Engine Support.....	6.85
6028	Support Bracket - Front Mount.....	Call

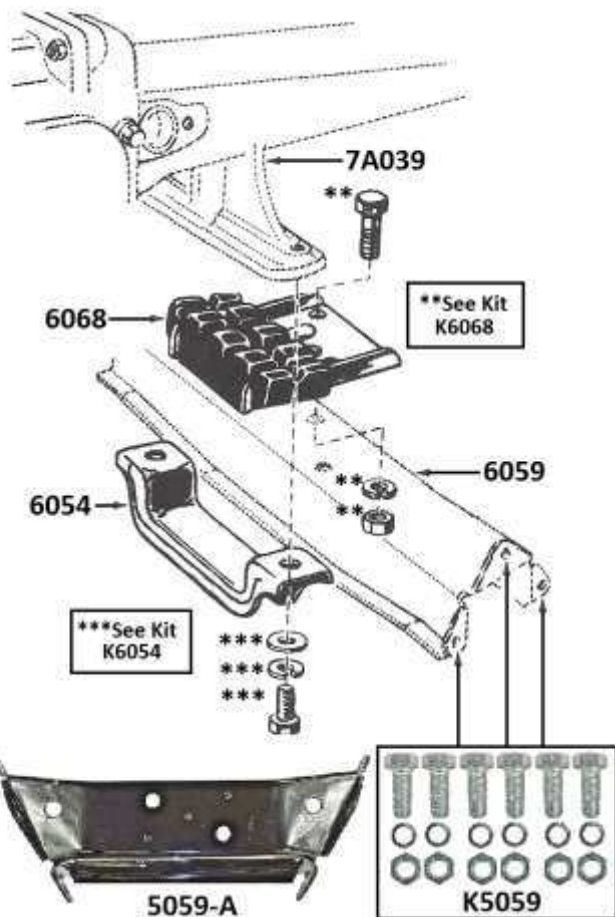


6038	Insulator, Engine Mount Front.....	31.50
6039	Insulator, Engine Support Lower.....	8.95
6041	Nut, Engine Front Insulator Bolt.....	7.29

ENGINE SUPPORT KIT



6038-KA	Engine Support Kit (55/56).....	104.95
6038-KB	Engine Support Kit (57).....	101.95



5059-A	Cross Member Transmission Mount (Used) (55/56).....	Call
5059-B	Cross Member Transmission Mount (Used) (57).....	Call
5059-A were Bolted on and 5059-B were Welded on.		
K5059	Kit, 5059-A Crossmember to Frame	4.50



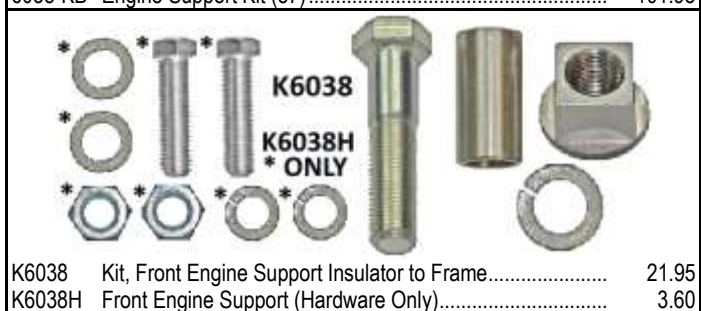
6054	Bracket, Rear Engine Mount.....	38.95
------	---------------------------------	-------



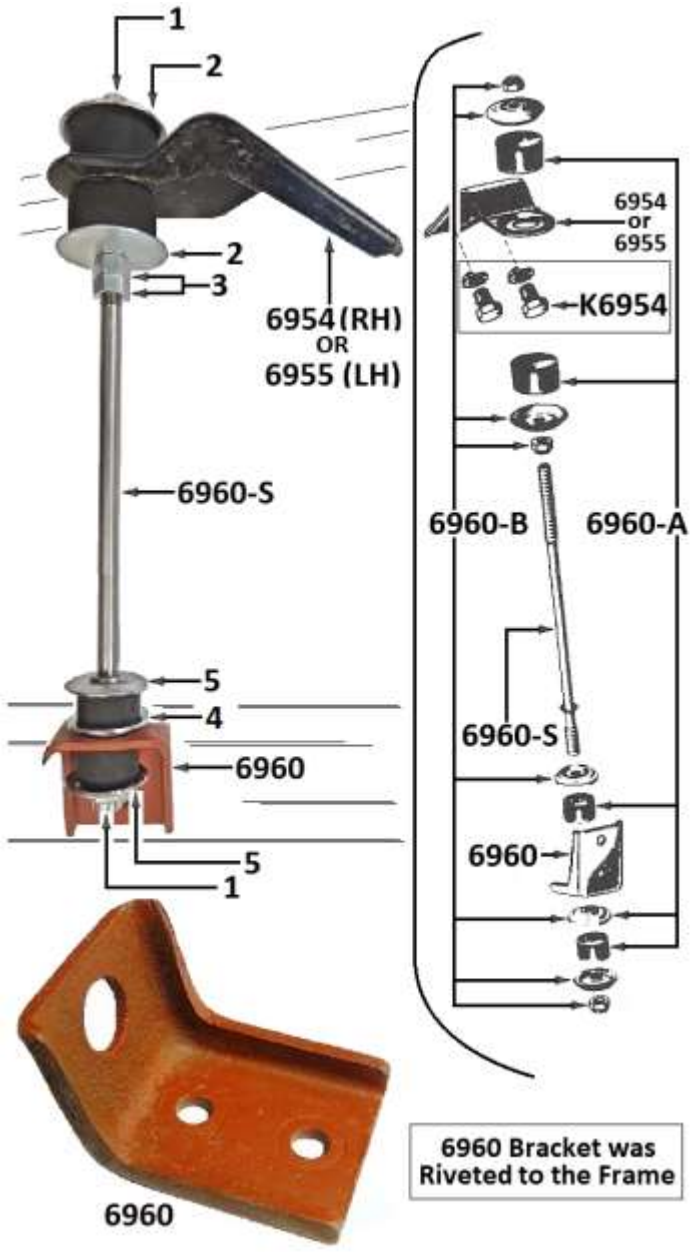
6068-A	Rear Transmission Mount (55/56)	20.65
6068-B	Rear Transmission Mount (57)	16.95



K6054	Rear Transmission Brace (6054) to Frame, 3/8" Bolt	2.90
K6054A	Rear Transmission Brace (6054) to Frame, 1/2" Bolt	2.90
K6068	Rear Transmission Mount (6068) to Frame	2.70



K6038	Kit, Front Engine Support Insulator to Frame.....	21.95
K6038H	Front Engine Support (Hardware Only).....	3.60

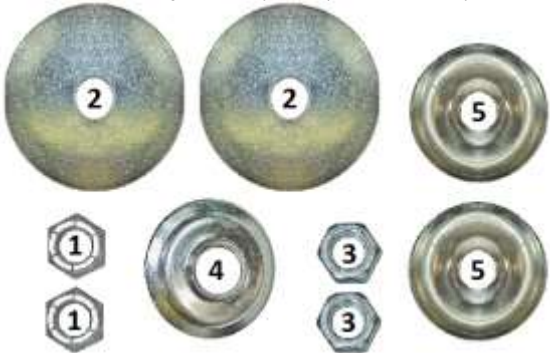


6960 Bracket was Riveted to the Frame

6960 Bracket, Engine Steady Mounts on Frame (Used)..... Call



6960-A Grommet Kit, Engine Steady Rest (4 Pieces, 2/Car) 10.50



6960-B Washer Kit, Engine Steady Rest (Need 2-per Car) 6.50



One Kit Includes (1)6960A (1)6960B (1)6960S (2) Kits Required per Car

6960-K Kit, Engine Steady Rest.....Each 23.95

6960-S Rod Special, Engine Steady Rest (Need 2-per Car)..... 7.95



6954 Bracket, Engine Steady Rest Upper RH 17.50



6955 Bracket, Engine Steady Rest Upper LH 17.50



K6954 Kit, Engine Steady Rest Brackets to Block 3.75

ENGINE TECH INFORMATION

Engine Casting Numbers can be found on the RH Side of the Block.

Example: ECZ6015C Casting in most cases indicates a 312 However, some of these Blocks were machined as a 292 ECZ6015B Has Always been found to be a 312 Engine ECK6015B Casting 292 1955, EBD Casting in most cases Will be a 292, however some were a 312.

CYLINDER HEAD CASTINGS

ECL-C Core Plug Head for 1955 with Fordomatic Transmission
 ECL6090B Core Plug Head for 1955 with Fordomatic Trans
 ECL6090A Cylinder Head for 1955 with S/T or Overdrive
 ECZ-B Cyl Head 1956 292 S/T & O/D, ECZ-C 312 F/M Trans
 ECZ-G Found on all 312 1957 Models with all Transmissions
 ECZ-F 292 1957 with S/T / EDB-D 312 Supercharger
 Early ECB-B Heads had a Core Plug, Late Heads were Smooth
 Replacement Heads ECZ-G: 312 have 5752 & 113 Cast on Head

1955/1957 Thunderbird Standard Transmission Parts List

- 7003 Transmission Used Original STD - O/D Call
- 7017 Input Shaft STD - O/D Call



- 7025-A Bearing, Input Shaft (55 292 O/D) and (55/57 292 S/T)..... 25.50
- 7025-B Bearing, Output Shaft (55 292 O/D) and (55/57 S/T)..... 25.50
- 7025-B Bearing, O/D Main Shaft (55-292) (56/57 O/D) (57 312 S/T) 25.50
- 7026 Snap Ring, Input Shaft Bearing (51A7026)..... Call
- 7030 Snap Ring, Transmission (8L7030A) Call
- 7034 Vent, Transmission and O/D 13.85
- 7A034A Bushing, Extension Housing (292 S/T-O/D 1955) (292-S/T 1957) (292/312-F/M 55/57) . 12.60
- 7A034B Bushing, Extension Housing (56/57) O/D 312 S/T Call
- 7A039 Extension Housing S/T or O/D Call
- 7040 Baffle, Input Shaft Bearing Oil (56/57) O/D 57 S/T Call
- 7A044 Insert, Intermediate and High Clutch Hub Call
- 7050 Retainer, Input Shaft Bearing Call
- 7051-A Gasket, Input Shaft Bearing Retainer (55/57) 292 S/T 55 292 O/D (C2AZ7051B)..... 5.45
- 7051-B Gasket, Input Shaft Bearing Retainer (56/57) 312 O/D 57 312 S/T (B6C7051A)..... 5.45



- 7052-B Seal, Transmission Rear Output (55/56) O/D 57 312 16.29
- 7052-C Seal, Trans Rear (55/56) STD, 55 O/D 57 with 292 8.45
- 7059 Snap Ring, Output Shaft Synchronizer Call
- 7061 Output Shaft Call
- 7064 Snap Ring Call
- 7065 Bearing, Input Shaft (56/57 312 O/D) (57 312 S/T)..... 32.85
- 7065 Bearing, Output Shaft (56/57 312 O/D) (57 312 S/T)..... 32.85
- 7075 Transmission Alignment Plate Rear Mount..... Call

Need a Part that you don't see listed, just give us a call and we'll see if we can find it for you

Hill's Thunderbird Center
866-949-1956

- 7085 Bracket, Transmission Mount (56) Overdrive..... Call
- All 56 T-Birds with O/D Transmissions used a Mercury Trans. The 7085 Bracket was used to mount the transmission at the rear transmission cross member.**

- 7086-B Gasket, Extension Housing (55/57) 292 S/T 6.35
- 7086-C Same as Above (55) 292 O/D to Transmission..... 6.45
- 7086-D Same as Above (57) 312 S/T-Trans to Ext. Housing (56/57) 312 O/D Adapter to Transmission 6.85



- 7100 Gear, Low & Reverse Sliding (57) 292 S/T Call
- 7102 Gear, Intermediate (55/57) 292 S/T (B7A7102A) Call
- 7105 Hub, Intermediate and High Clutch Call
- 7106 Same as Above, (56/57) O/D 57 S/T (C1AA7106A) Call
- 7107-A Ring, Synchronizer Blocking (56/57) 312 O/D, S/T 24.50
- 7107-B Ring, Synchronizer Blocking (55) S/T-O/D, (57) 292 S/T 16.50
- 7111 Countershaft..... Call



- 7113 Gear, Countershaft Cluster Call
- 7115 Spacer, Countershaft Gear Pilot Bearing..... Call
- 7118-A Roller Bearing, Input Shaft Pilot 55 with 292 O/D (55/57) 292 S/T 15 Pieces (8A7118) 12.90
- 7119 Washer, Thrust (55/57) Call
- 7120-B Roller Bearing, Input Shaft Pilot (56/57) 312 O/D (56/57) 312 S/T 14 Pieces (MC7120B) 9.90
- 7121-A Roller, Countershaft Gear Pilot (55/57) 292 S/T (55) 292 O/D 50 Pieces (8A7121)..... 24.50
- 7121-B Roller, Countershaft Gear Pilot (56/57) 312 S/T & O/D 80 Pieces (8L7121) 39.90
- 7124 Synchronizer Assembly..... Call
- 7125 Spacer, Countershaft Gear Bearing Roller Call



- 7140 Shaft, Reverse Idler Gear (55/57) Call
- 7141 Gear, Reverse Idler..... Call

- 7153-B Gasket Set, (55/56) S/T 292 or (57) S/T 292 24.85
- 7153-C Gasket Set, (55) with O/D Only 292..... 29.65

- 7153-D Gasket Set, (56/57) O/D 312 or 57 S/T 312..... 36.75
- 7155 Pin, Countershaft Reverse Idler..... Call
- 7A283 Seal, Input Shaft S/T-O/D 1957 15.45

- 7B331-A Small Parts Kit, (55/57-S/T) 47.95
- 7B331-B Small Parts Kit, (56/57-O/D) (57-S/T 312) 39.95
- 7B331-C Small Parts Kit, (55-O/D)..... 49.95
- 7661-A Gasket, Transmission Overdrive Housing to Adapter 1955 7.49
- 7661-B Gasket, Trans O/D Housing to Adapter (56/57 312)..... 12.85
- 7749 Overdrive Main Shaft (55/57)..... Call
- 74125-S Plug, O/D to Access Span Ring at Rear Bearing..... 3.00

55/57 Thunderbird Standard Transmission Shifter & Related Parts

Standard and Overdrive Transmission Info

1955 Thunderbird Overdrive was a Borg Warner 259
 Side Cover was Rectangular with 9 Bolts
 O/D Case Casting # AF7006B Tailshaft Housing #R10F-1B
 55/56 3-Speed Case Casting # AF7006A or AF7006D
 Tailshaft Housing # AB7651A
 55/56 Had a 10-Spline Input Shaft-1" Diameter
 16 Spline Output Shaft-1.175" Diameter

1956 Overdrive was offered with a 312 Engine Only
 This was a Mercury Overdrive adapted to the Thunderbird
 Casting #T85C-1A Tailshaft Housing #R11-1E or R11-1H
 1957 Overdrive Casting # T85C-1A Tailshaft Housing #RN11-1N
 1957 312 3-Speed H/D Casting # T85C-1 Tailshaft Housing # T85C-7B
 56/57 Had a 1" Diameter 10-Spline Input Shaft
 with a 16-Spline Output Shaft 1.375" Diameter

1957 292 3-Speed T86C
 28 Spline Output Shaft



7213



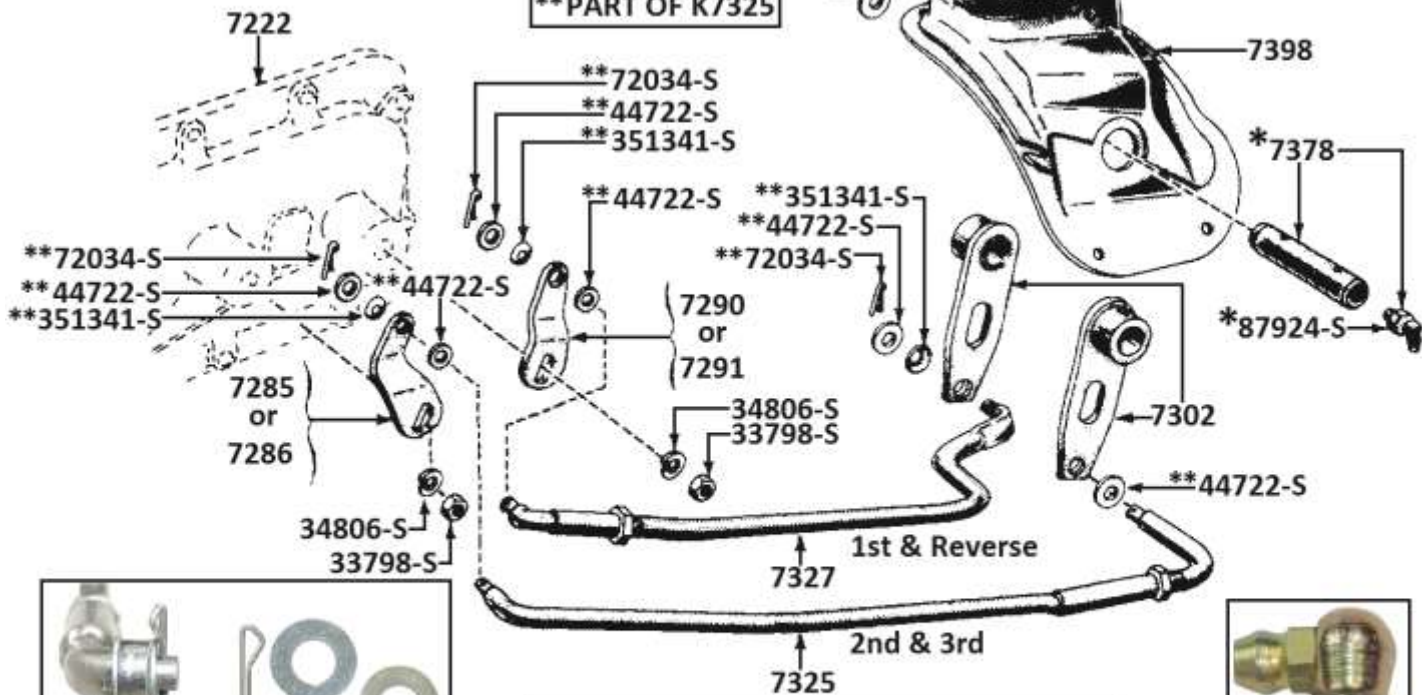
7227



*PART OF 7378

- K7398
- *44720-S
- *34805-S
- *20309-S

**PART OF K7325



- **72034-S
- **44722-S
- **351341-S

7285
or
7286

34806-S
33798-S

- **72034-S
- **44722-S
- **351341-S

- **44722-S
- **351341-S
- **44722-S
- **72034-S

7290
or
7291

34806-S
33798-S

1st & Reverse

7327

2nd & 3rd

7325

Part of K7325



72034-S

44722-S

351341-S



7325
or
7327
Lever

**K7325



Part of
7378

87924-S

1955/1957 Thunderbird Gear Shift Level, Support and Rods - Typical



7210-55S Shifter Assembly S/T (55) Call



7210-567S Shifter Assembly S/T (56/57) Call
 7210-SS Shifter S/T Upper Shaft S/T (56/57) Call
 377949-S A=7/8; B=23/64—Rubber Plug or Grommet
 Standard Transmission Shifter 5.95



7213 Ball, Gear Shift Lever S/T and O/D 10.40



7227 Spring, Gear Shift Lever 15.00



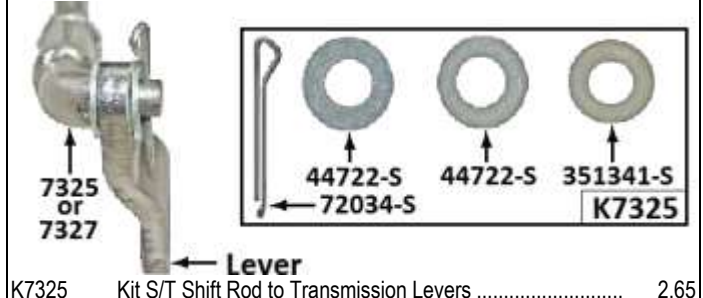
7277 Boot, Gear Shift Lever S/T 20.50



7302 Lever, Standard Shifter (2 Per Car) 49.00



7325 Rod, Standard and O/D 2nd and 3rd 119.90



K7325 Kit S/T Shift Rod to Transmission Levers 2.65



7327 Rod, Standard and O/D 1st and Reverse 119.90

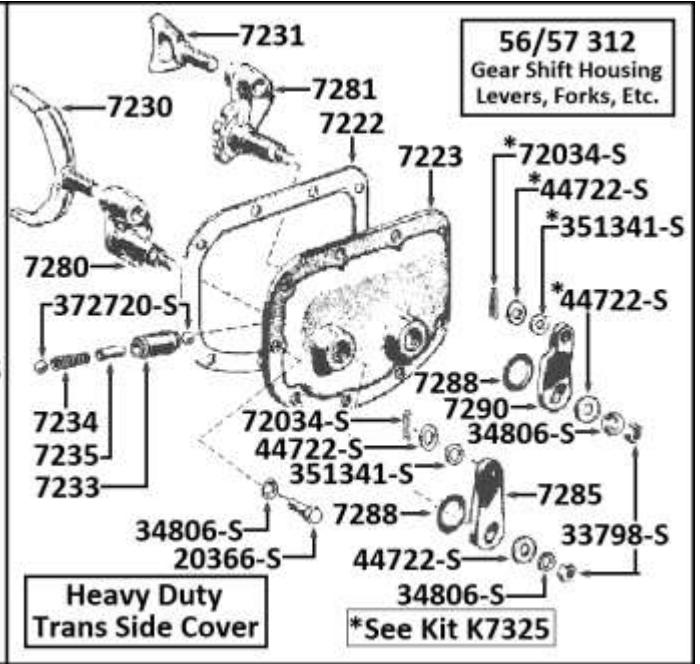
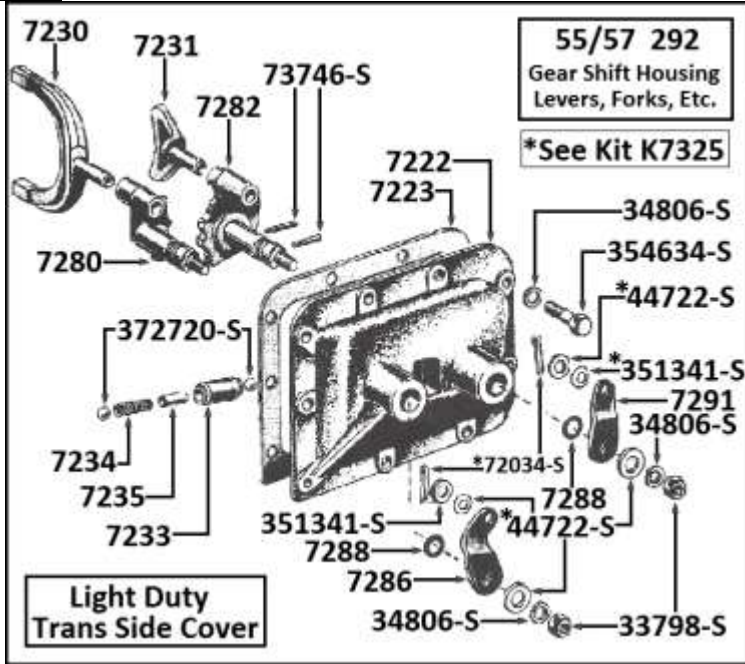


7378 Shaft S/T Gear Shift Lever Support 39.00
 7398-A Housing, Manual Shifter (55/56) Call
 7398-B Housing, Manual Shifter (56/57) Call



K7398 Kit, S/T Shifter Base to Tunnel 3.00

- 20309-S Bolt for 7378-S Shaft, 1/4"- 28 x 1/2" 0.80
- 20346-S Bolt, 5/16"- 18 x 3/4" 0.60
- 20366-S Bolt, 5/16"- 18 x 7/8" 0.70
- 33798-S Nut at 7285, 7286, 7290, 7291, 5/16" - 24 0.30
- 34805-S Lockwasher for (7378-S) Shaft, 1/4" 0.20
- 34806-S Lockwasher, 5/16" 0.20
- 34808-S Lockwasher, 7/16" 0.25
- 34941-S Lockwasher External, 5/16" 0.15
- 44720-S Washer for (7378-S) Shaft 0.20
- 44722-S Flat Washer, 5/16" 0.20
- 72034-S Cotter Pin, 3/32 Diameter x 1" Long 0.25
- 87924-S Grease Fitting (90 Degree) 0.90
- 351341-S Wave Washer, Kick Down & Shift Rods 2.00
- 358048-S Plug, 3/4" Pipe, Square Socket Head 3.95



7222-A Cover, Housing Trans Shifter (55/57) S/T 55 O/D Call
 7222-B Cover, Housing Trans Shifter (55/56) O/D 57 312 S/T Call



7223-A Gasket, Gear Shift Housing (55/57) 292 S/T, (55) 292 O/D (C2AZ7223A) 8.45
 7223-B Same as Above, (56/57) O/D, (57) 312 S/T (8L7223A) 6.85



7233 Plunger, Shifter Fork Cam & Shaft Lock Call
 7234 Spring, Shifter Fork Cam Call
 7235 Pin, Shifter Fork Cam Call



7285 Lever, Transmission 2nd and 3rd 45.00
 7290 Lever, Transmission 1st and Reverse Call
55/57 292 S/T 1955 O/D
 7286 Lever, Transmission 2nd and 3rd 30.00
 7291 Lever, Transmission 1st and Reverse 30.00



7288 Seal, O/D Control and Manual Shift Levers 7.85
 7288-A Seal, O-Ring Shift Levers 1.45



7324 Transmission inspection Plate (Used Original) Call



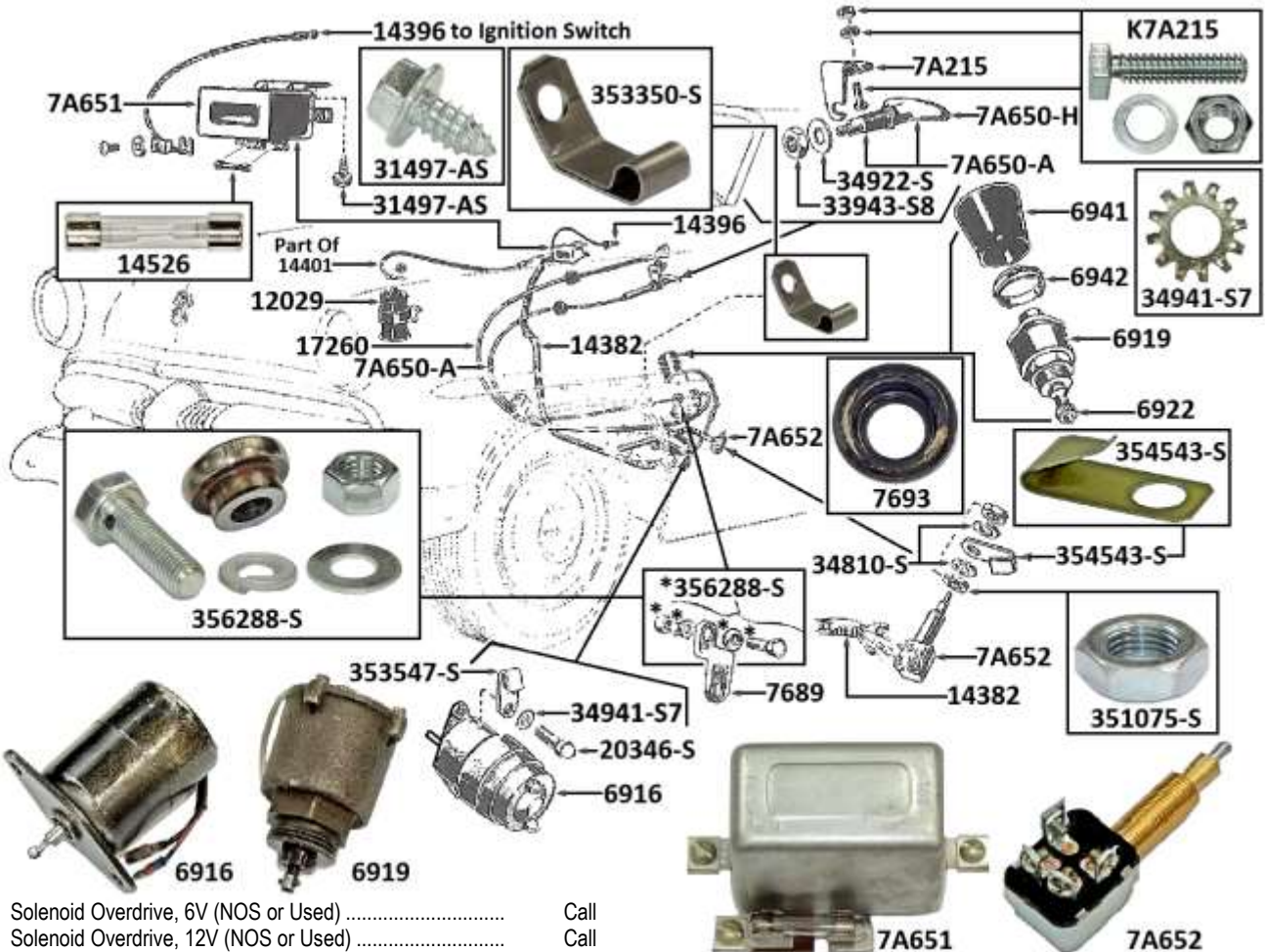
K7324 Kit to Retain (7324) Cover to Floor Tunnel 1.20
 12170 Gasket, Transmission Governor Access Cover 2.45



K7325 Kit, S/T Shift Rod to Transmission Levers 2.65
 20366-S Bolt, Trans Side Cover to Case, 5/16"- 18 x 7/8" (56/57) 312, S/T - O/D 0.70
 33798-S Nut at 7285, 7286, 7290, 7291, 5/16"- 24 0.30
 34806-S Lock washer, 5/16" 0.20
 44722-S Flat Washer 5/16" 0.20



72034-S Cotter Pin, 3/32 Diameter x1" Long 0.25
 351341-S Wave Washer, Kick Down & Shift Rods 2.00
 354634-S Bolt, Trans Side Cover to Case, 5/16"- 18 x 1" (55/57) 292, S/T - O/D 0.75
 372720-S Ball Bearing, Transmission Detent 1.50



6916-A	Solenoid Overdrive, 6V (NOS or Used)	Call
6916-B	Solenoid Overdrive, 12V (NOS or Used)	Call
6916-T	Tool, Overdrive Solenoid Wrench	57.95
6919	Governor, Overdrive Transmission (NOS or Used)	Call

7A651	Relay Transmission O/D (6V or 12V Original)	Call
7A651-A	Relay Transmission O/D (6V-Repoduction)	175.00
7A651-B	Relay Transmission O/D (12V-Repoduction)	175.00
7A652	Overdrive Kick Down Switch	45.45
14526-AGC30	Fuse, Overdrive 6V (55, 30A)	1.00
14526-AGC15	Fuse, Overdrive 12V (56/57, 15A)	1.00
7689	Lever Overdrive Manual Control	Call
7693	Oil Seal at Overdrive Solenoid	9.70



6922	Gear, Overdrive Governor	Call
6927	Seal, Overdrive	1.25
6929	Retainer Ring O/D Governor Driven Gear	Call



6941	Cover, Overdrive Governor (Rubber)	5.20
7A215	Bracket, Overdrive Cable to Dash	9.95
K7A215	Kit, Bracket Overdrive Cable to Dash	0.60



7A650-A	Overdrive Cable (Reproduction)	59.95
7A650-H	Overdrive Cable Knob	19.95

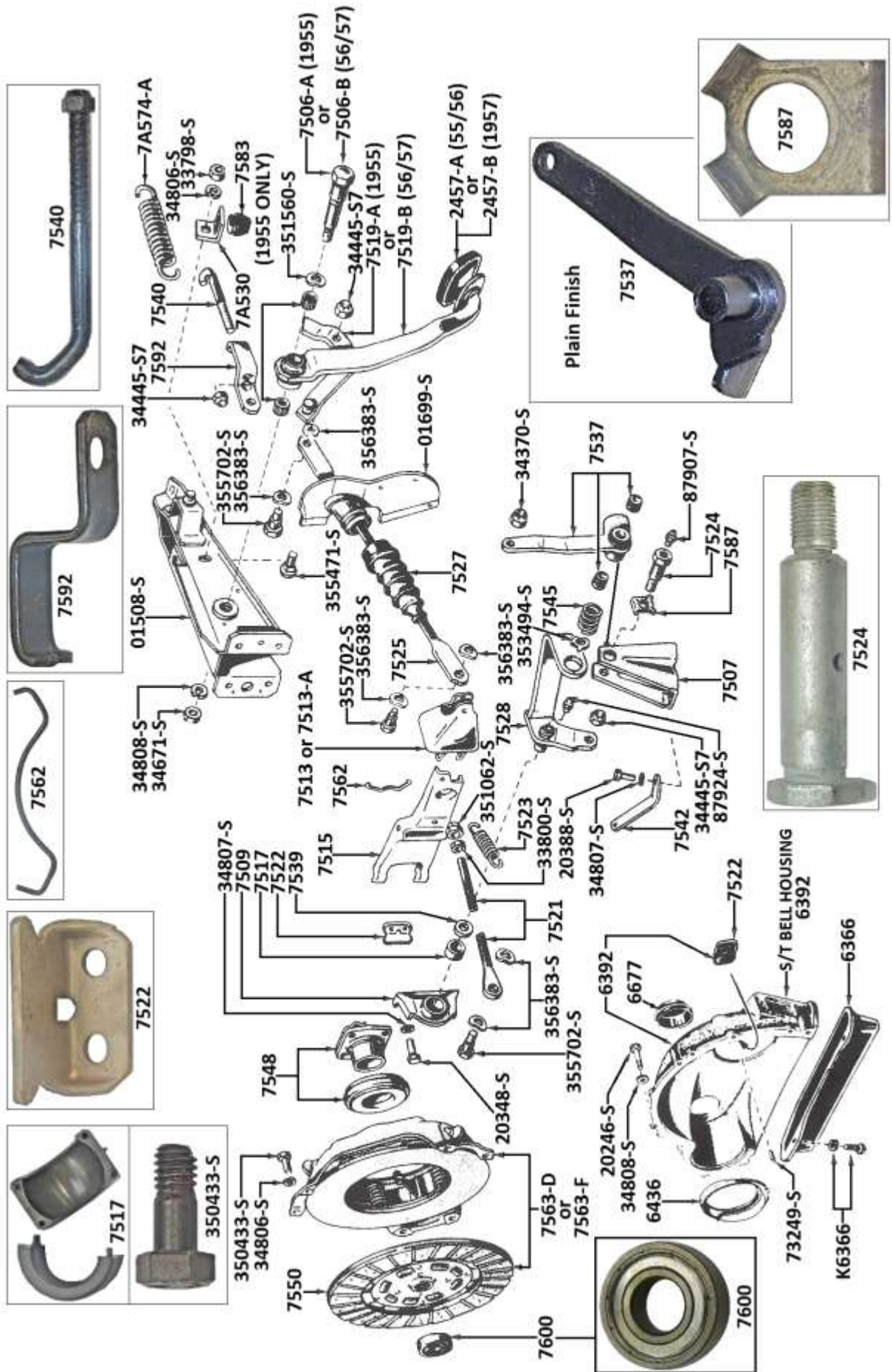


14382-A	Wiring, Overdrive Harness (55)	39.45
14382-B	Wiring, Overdrive Harness (56/57)	46.85
14396-BR	Wiring, ignition Switch to Overdrive Relay (55/57)	9.85

Authentic Reproduction Wiring - Use on Show Cars		
B5S14382A	Wiring, Overdrive Harness (55)	45.50
B6S14382A	Wiring, Overdrive Harness (56/57)	53.45
FDR14396A	Wiring, ignition Switch to Overdrive Relay (55/57)	10.40

20346-S	Bolt, 5/16" - 18 x 3/4"	0.60
31497-AS	Screw, Hex Head	0.30
33943-S8	Nut, 1/2" - 20, Hex Head 1/4" x 3/4"	2.00
34810-S	Lock washer, 9/16"	0.75
34922-S	Lock washer, Internal Teeth 1/2"	0.25
34941-S7	Lock washer, External Teeth 5/16"	0.15
351075-S	Jam Nut for 7A652 Kickdown Switch	1.00
353350-S	Clip, Overdrive Cable at Transmission	15.00
353547-S	Clip, Wire at Overdrive Solenoid - Plain	1.25
354543-S	Clip, O/D Wiring at Kickdown Switch	3.20
356288-S	Bushing and Bolt Kit at Overdrive Lever	24.00

1955/1957 Thunderbird Clutch, Clutch Pedal Etc. - Typical




1955/1957 Thunderbird Clutch, Clutch Pedal Etc. - Typical


7506-A
 7506-A Shaft, Clutch and Brake Pedal (55) Call


7506-B
 7506-B Shaft, Clutch and Brake Pedal (56/57) Call


7507 Paint Black
7509 Plain Finish
 7507 Clutch Bracket to Frame Call
 7509 Pivot Cup Clutch Call


7513
7513-A
 7513 Dust Shield—Clutch Release Lever 37.00
 The (7513) Dust Shield is Made with Tan Leather and Is Like the Original in Every way, Including the Wire Retaining Frame.
 7513-A Dust Shield—Clutch Release Lever Black Leather Replacement 24.95

7515 Clutch Fork (**Paint Engine Color-Red/Orange**) Call
 7517 Bushing Clutch Release Shaft (Pair) 7.50
 7519 Pedal Assembly Clutch, S/T and O/D Call
 7521 Rod, Clutch Pedal to Idler Lever (**Plain Finish**) Call
 7522 Bracket, Clutch Call


7523 PAINT BLACK
 7523 Spring, Clutch Arm Return And Parking Brake Cable Return (**Black Oxide**) 3.50
 7524 Shaft, Clutch Release (**Black Oxide**) Call
 7525 Rod, Clutch Pedal to Fork (**Plain Finish**) Call


7527
 7527 Seal, Clutch Pedal Rod (Replacement) 20.50
 7528 Bar, Clutch Release Equalizer (**Plain Finish**) Call
 7537 Lever Assembly, Clutch Pedal Assist Spring Call
 7539-A Washer, Clutch Release Equalizer Shaft Call
 7540 Retainer, Clutch Pedal Assist Spring Call


7542 PLAIN FINISH
7545 PAINT BLACK
 7542 Bracket, Clutch Retracting Spring 9.95
 7545 Spring, Clutch Bar 9.35


7548
 7548 Bearing Assembly, Clutch Release 35.00

7550
 7550 Clutch Disc 11" (New) T-birds came with 11" Clutch 109.00
 7550-T Clutch Disc 10" (New) 99.00
 7562-A Spring, Clutch Release Anti-Rattle Call


7563-D Diaphragm Type
7563-F Original Finger Type
 7563-D Pressure Plate 11" (Diaphragm Type, New) 155.00
 7563-F Pressure Plate 11" (Finger Type, New) 155.00
 7563-T Pressure Plate 10" 149.00


7A754-A
7583
 6392 Bell Housing, Standard Trans (**See Pages 58 thru 60**) Call
 7A574-A Spring, Clutch Pedal Assist 7.95
 7583 Bumper, Clutch Release Idler Shaft 4.10
 7587 Lock, Clutch Release Idler Shaft Call
 7592 Link, Clutch Pedal Assist Spring Call
 7600 Bearing, Clutch Pilot 7.95
 01508-S Support Assembly, Brake Pedal S/T Call
 20348-S Bolt (7509) Clutch Bracket to Block 0.50
 33798-S Nut at (01508-S) Support 0.30
 33800-S Nut on (7521) Adjusting Rod 0.40
 34395-S Nut, Locking, 3/8" - 24 1.30
 34445-S Nut at (7540) and (7592) 1.30
 34671-S Nut used at (7506) Clutch & Brake Pedal Shift 0.80
 34806-S Lock washer, 5/16" 0.20
 34807-S Lock washer, 3/8" 0.20
 34808-S Lock washer, 7/16" 0.25


87907-S
87924-S
350433-S
 87907-S Lubrication Fitting, (Straight) 0.60
 87924-S Lubrication Fitting (90 Degree) 0.90
 350433-S Bolt, Special Shoulder, Pressure Plate to Flywheel Call


351062-S
355702-S
356383-S
 351062-S Nut, Special, Clutch Adjusting Rod 6.90
 351560-S Spring Washer 2.35
 353494-S Spring Washer, Special Call
 355471-S Bolt, Special, Round Head Carriage 3.00
 355702-S Bolt, Shoulder, Clutch Rod Linkage 3.50
 356383-S Spring Washer, Clutch Bolts 1.25
 357625-S Lock washer 0.25



Automatic Transmission Identification

Trans I.D. Plate Located on Left Hand Side of Transmission
 Thunderbirds used the Medium Trans Case—Length of Case 10-7/32"
 1955 292 I.D. Tag# PMB-C
 1956 312 I.D. Tag# PAW-C Aluminum Impeller
 1956 312 I.D. Tag# PAW-F Steel Impeller
 1957 312 4V I.D. Tag# PBA-C / 312 Dual-4 and 5/C I.D. Tag# PBA-E

Refill Capacities

Automatic Transmission

- 1955.....20.5 pt.
- 1956.....20.5 pt.
- 1957.....21.5 pt.

Use Type F or Type FA Automatic Transmission Fluid Only
 Ford-Motorcraft Part Number XT1Q1F

GASKET SET FORD-O-MATIC TRANSMISSION



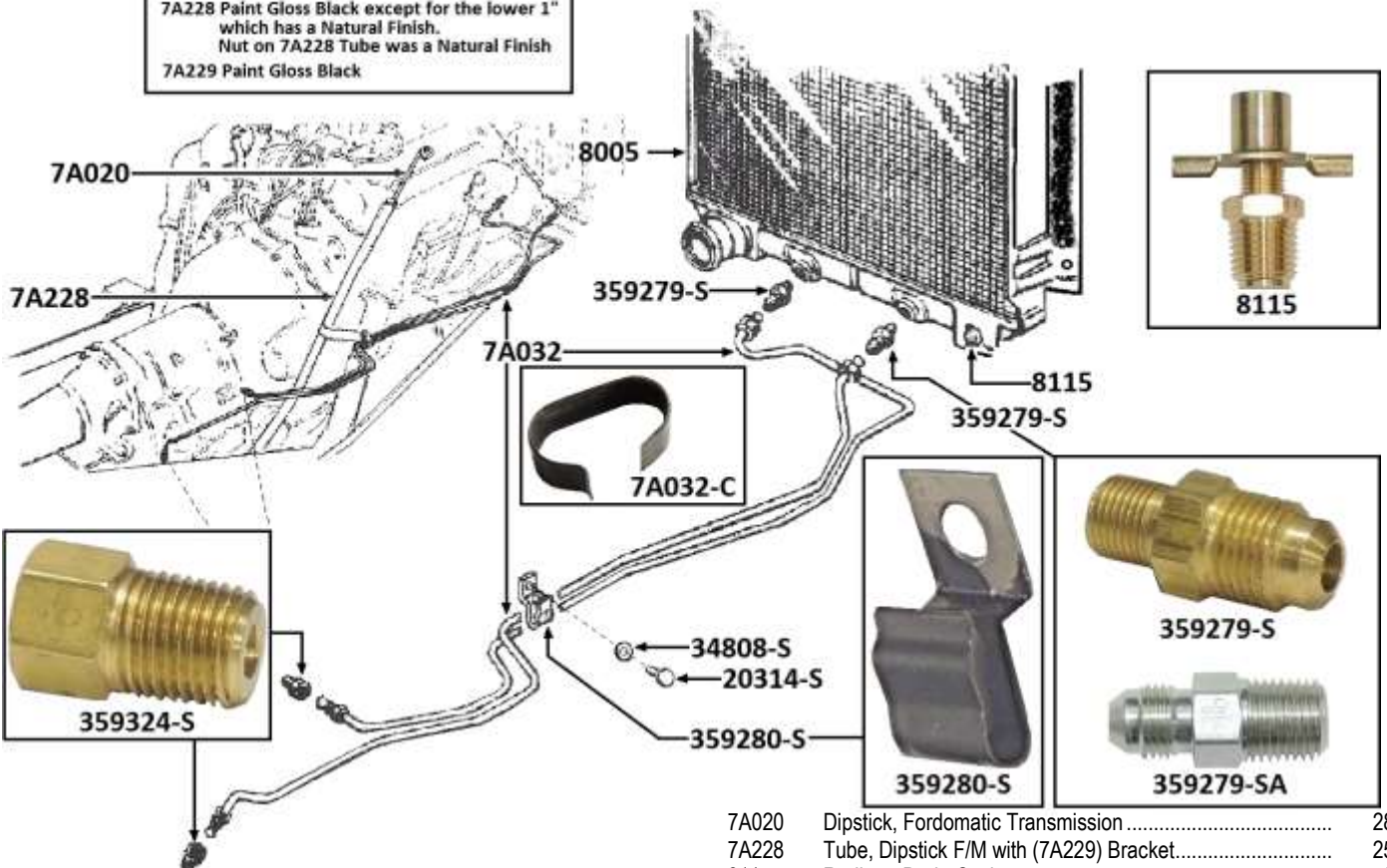
7153-A Gasket Set F/M Auto Medium Case
 Including Steel Rings and Seals 109.95

7A020 had a Natural Finish
 7A228 Paint Gloss Black except for the lower 1" which has a Natural Finish.
 Nut on 7A228 Tube was a Natural Finish
 7A229 Paint Gloss Black

FORD-O-MATIC TRANSMISSION OVERHAUL KIT



7000-K Transmission Overhaul Kit F/M (55/57) 249.95
 Kit Includes: Seals, Gaskets, Filter, Steel & Friction Plates

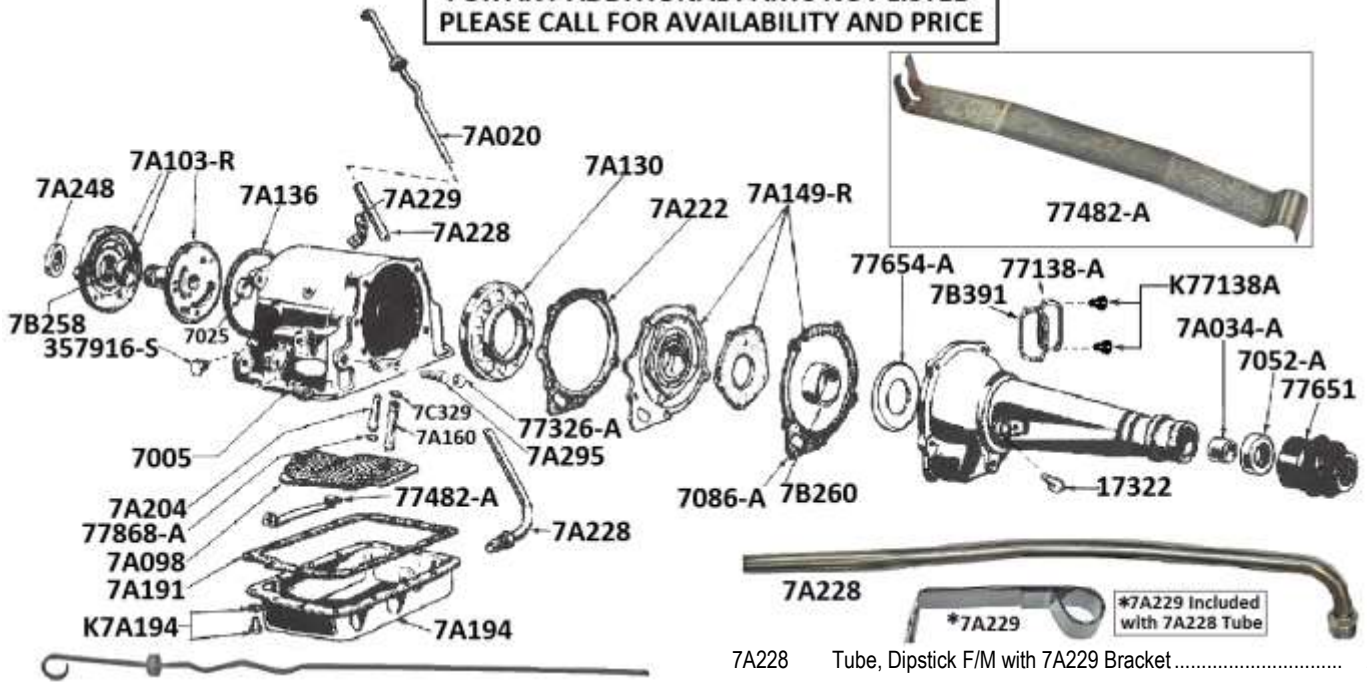


F/M AUTO TRANSMISSION LINES

7A032-A	Cooling Lines F/M Transmission Set (56/57)	49.95
7A032-ASS	Same as Above (Stainless Steel)	81.95
7A032-B	Cooling Lines F/M Transmission w/Hump Set (56/57)	49.95
7A032-BSS	Same as Above (Stainless Steel)	81.95
7A032-C	Clip, Holds Transmission Cooling Lines Together	1.50

7A020	Dipstick, Fordomatic Transmission	28.25
7A228	Tube, Dipstick F/M with (7A229) Bracket	25.65
8115	Radiator Drain Cock	3.50
20314-S	Bolt, Attaches Clip (359280-S) to Engine Block	0.75
34808-S	Lock Washer, Use at (359280-S)	0.25
359279-S	Fitting, Trans. Cooling Lines to Radiator	4.20
359279-SA	Fitting, Trans. Cooling Lines to Aluminum Radiator	4.80
359280-S	Clip, Transmission Cooling Lines to Block	7.80
359324-S	Fitting, Transmission Cooling Lines to Transmission	4.20

**FOR ANY ADDITIONAL PARTS NOT LISTED
PLEASE CALL FOR AVAILABILITY AND PRICE**



7A020 Dipstick, Fordomatic Transmission..... 28.25



7A034-A Bushing, Extension Housing (55/57) F/M (55) 292 O/D (55) 292 S/T (57) 292 S/T..... 12.60
 7A039 Extension Housing F/M (55/57)..... Call
 7052-A Seal, Rear Output F/M Auto..... 8.40
 7086-A Gasket, Transmission Extension Housing F/M..... 7.80



7A098 Filter, Transmission Fordomatic A/T..... 29.95
 7A098-K Kit, Filter & Gasket Trans Pan Fordomatic..... 37.95
 7A103-R Front Pump, F/M (55/57) (292/312)..... 379.00
 Core Deposit..... 50.00
 7A136 Gasket, Front Pump to Case F/M..... 9.60
 7A149-R Rear Pump, F/M Rebuilt With Washer or Bearing Type..... 289.00
 Core Deposit..... 150.00



7A191 Gasket, Transmission Pan F/M Auto..... 9.00
 7A194 Transmission Pan F/M (Used)..... Call
 K7A194 Kit to Install Transmission Pan..... 11.80



7A228 Tube, Dipstick F/M with 7A229 Bracket..... 25.65



7A229 Bracket, F/M Dipstick Tube..... 5.25



7A248 Seal, F/M Front Oil Pump..... 14.95
 7B258 Bushing, Front Pump F/M..... 17.50
 7B259 Bushing, Trans Front Oil Pump Drive Gear (Limited Qty) ... 19.00

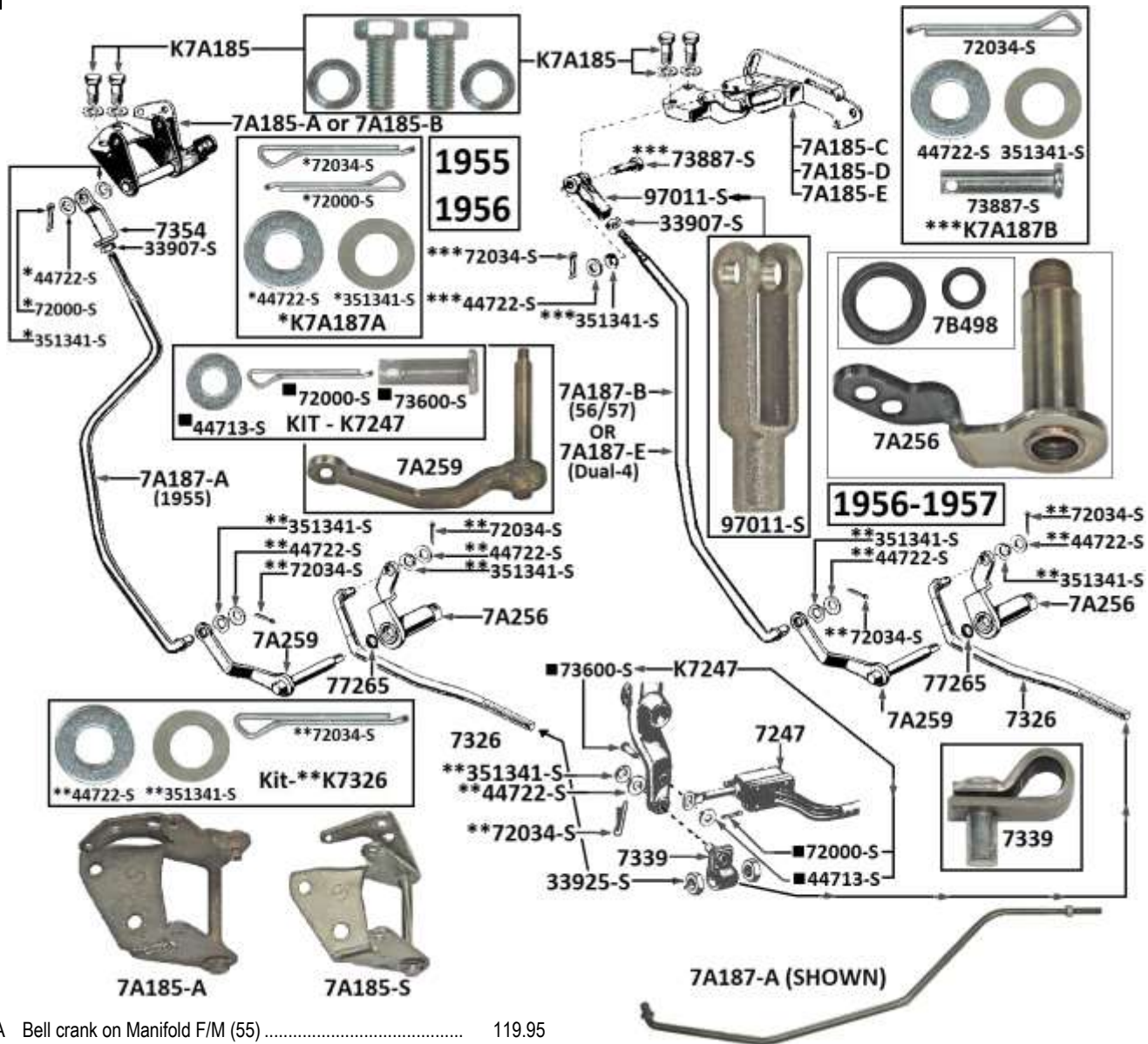


7B391 Gasket, Governor Inspection Cover to Extension..... 2.80



77138-A Cover, Governor Inspection F/M..... Call
 K77138A Kit, Governor Inspection Cover to Transmission..... 1.00
 77482-A Clip, Oil Pan Screen Retaining F/M..... Call
 77651 Boot, Rubber Transmission Output (Like Original)..... 18.39
 357916-S Plug, Transmission Case 1/8"-27 Hex Head Pipe..... 3.00

1955/1957 Thunderbird Bell Cranks, Kick Down Rods, F/M Shift Rods and Related Parts



7A185-A	Bell crank on Manifold F/M (55)	119.95
7A185-S	Bell crank on Manifold S/T (55)	119.95

7A187-A	Kick down Rod Fordomatic (55)	72.50
7A187-B	Kick down Rod Fordomatic (56/57)	67.35
7A187-E	Kick down Rod (E-Bird)	72.50
7247	Neutral Safety Switch Modified to Start Car in Park	119.95
K7247A	Kit, Fordomatic Shifter to Neutral Safety Switch	1.40
7A256	Lever, Transmission Selector Arm F/M	125.00
7A259	Lever, Throttle Control F/M	Call

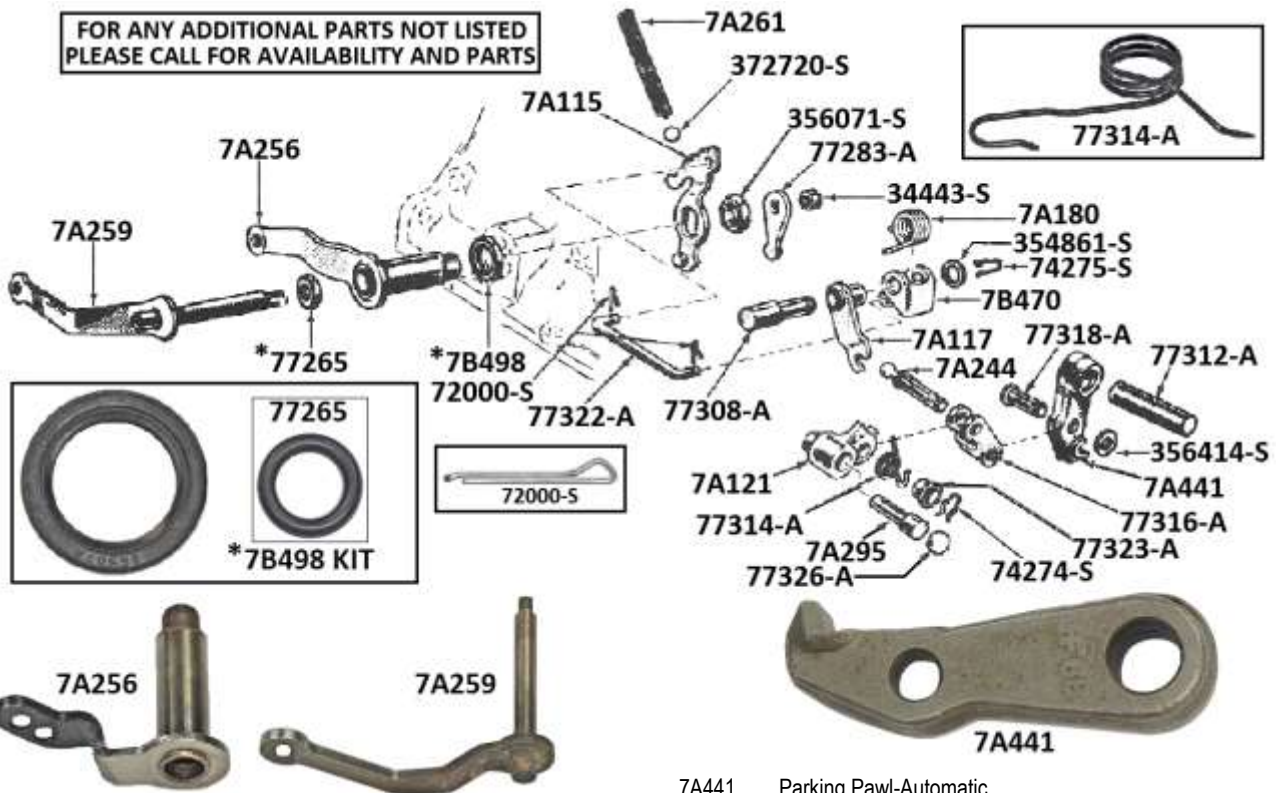
7A185-C	Bell crank Assembly F/M Auto	Call
7A185-D	Bell crank on Manifold F/M (57)	Call

7326	Rod, Shifter to Transmission Fordomatic	69.95
K7326	Kit, Fordomatic Shift & Kick down Rods to Trans	2.45
7339	Adjustment Sleeve, Automatic	10.25
7B498	Seal, F/M manual Control Lever	3.69
33907-S	Nut, Use at (7A187) Kick down Rods	0.30
33925-S	Nut, Use at (7326/7339) Shift Rod	0.40
44713-S	Washer, Use at 7247 Neutral Safety Switch	0.20
44722-S	Washer, Use at 7326 Shift Rod	0.20
72000-S	Cotter Pin, 1/16" x 3/8" Length	0.20
72034-S	Cotter Pin, 3/32" x 1" Length	0.25
73600-S	Pin, F/M Shifter Arm to Neutral Safety Switch	1.00
73887-S	Pin, F/M Kick down Rod to Bell crank	1.00
77265	Seal, Throttle Control Outer Lever (See 7B498 Kit)	N/A
97011-S	Clevis, Kick down Rod (Also See 7354)	7.90
351341-S	Wave Washer, Kick down & Shift Rods	2.00

7A185-C	Bell crank Assembly F/M Auto	Call
7A185-D	Bell crank on Manifold F/M (57)	Call
7A185-E	Bell crank Rear E-Bird (Dual-4)	209.00
K7A185	Kit, Accelerator Bell crank to Intake Manifold	2.00
K7A187A	Kit, Attaching (7A187-A) to (7A185-A & C)	2.65
K7A187B	Kit, Attaching (7A187-B) to (7A185-D & E)	3.45
(See Pictures of 7A187A & 7A187B at Top of Page)		
7354	Clevis, F/M Transmission Throttle Shift Rod	11.95

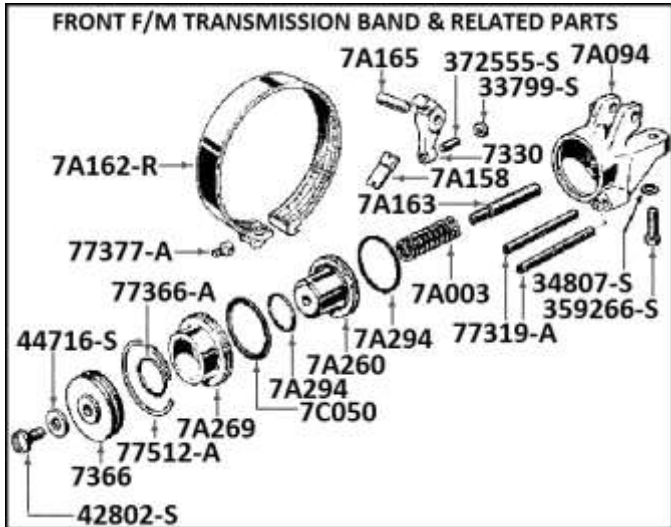
55/57 Thunderbird Parking Pawl Linkage - Front and Rear Servo and Bands

FOR ANY ADDITIONAL PARTS NOT LISTED
PLEASE CALL FOR AVAILABILITY AND PARTS



7A256	Lever, Transmission Selector Arm F/M.....	125.00
7A259	Lever, Throttle Control F/M	Call
7B498	Seal, F/M manual Control Lever	3.69

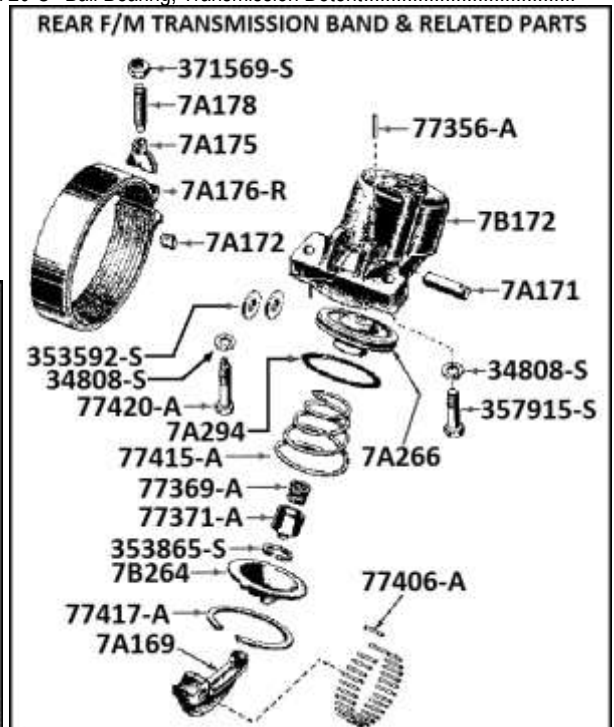
7A441	Parking Pawl-Automatic.....	Call
72000-S	Cotter Pin-1/16" x 3/8" Long.....	0.20

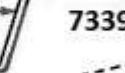
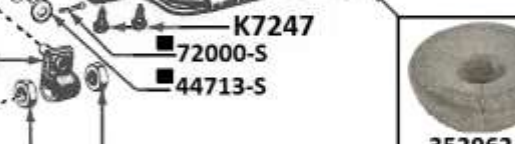
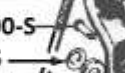
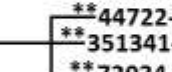
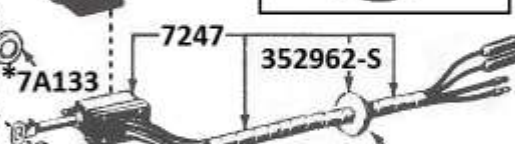
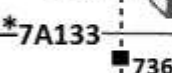
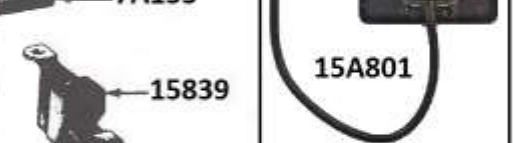
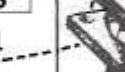
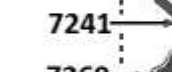
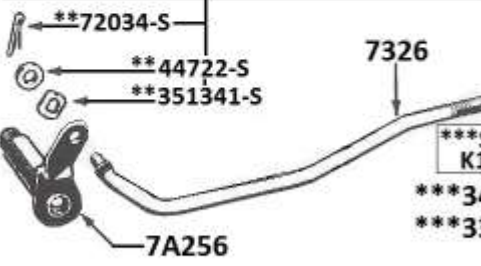
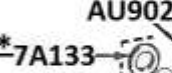
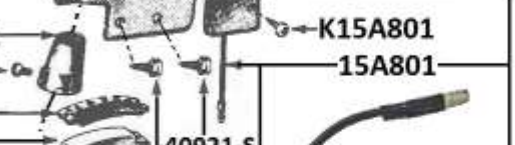
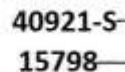
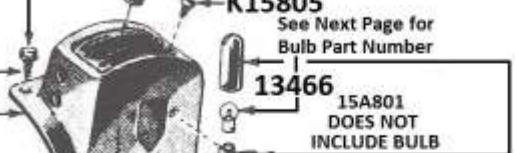
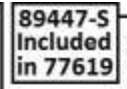
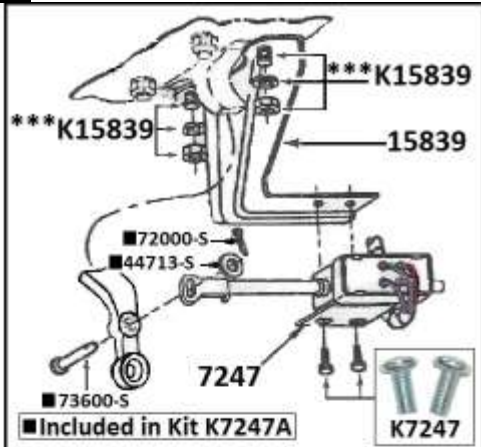


74274-S	Clip.....	0.40
77265	Seal, Throttle Control Outer Lever See 7B498 Kit.....	N/A
77283-A	Lever, Transmission Throttle Control Inner F/M	Call
77314-A	Spring, Parking Pawl Toggle Return.....	Call
372720-S	Ball Bearing, Transmission Detent.....	1.50



7A162-R	Band, F/M Front Re-Lined Original Exchange	129.00
	Core Deposit	150.00
7A163-A	Pin, Front Band Servo Piston Guide (56/57).....	8.00
7A176-R	Band, F/M Rear Re-Lined Original Exchange.....	129.00
	Core Deposit	150.00





1955/1957 Thunderbird (Ford-o-Matic) Gear Shifter - Parts List



- 7A110-A Pointer, Shifter F/M (Chrome) 139.95
- 7A110-B Screw, Shifter Pointer..... 0.60
- 7A133 Bushing and Washer Kit F/M Shift Lever 9.95
- 7210-A Shifter Assembly F/M (55/57)..... Call
- 7210-AA Shifter Upper Shaft F/M (55/57) Call
- 77624-A Retainer, Transmission Gear Shift Lever Shaft..... Call



- 7213-B Ball, Gear Shift Lever Fordomatic 29.95
- 77619 Button Assembly F/M Shifter Complete Polished Stainless with Set Screw 21.95



- 77619-A Spring, Inside F/M Shifter Button 2.10
- 77635 Spring, F/M Shift Lever Button 3.95



- 7241 Pivot Pin F/M Shifter..... 8.75



- 7247 Neutral Safety Switch Modified Allows you to Start in Neutral or Park 119.95
- K7247 Kit, Fordomatic Shifter to Neutral Safety Switch 1.40
- K7247A Kit, to Install (7247) Neutral Safety Switch to (15839)..... .50
- 7A256 Lever, Transmission Selector Arm F/M..... 125.00



- 7269 Pawl, F/M Shifter Lever 22.50
- 7339 Adjustment Sleeve Automatic 11.25



- 7326 Rod, Shifter to Transmission Fordomatic..... 69.95
- K7326 Kit, Fordomatic Shift & Kick Down Rods to Trans..... 2.45
- 7416-A Plate, A/T Shifter (55)..... Call
- 7416-B Plate, A/T Shifter (56/57)..... Call



- K7416 Kit, F/M Shifter Base to Tunnel 2.40



- 7489 Rod, Release Fordomatic Shifter 5.25
- 72000-S Cotter Pin 1/16" x 3/8" Long 0.20



- 13466-51 Bulb, Transmission Indicator (55 6-Volt)..... 1.59
- 13466-1445 Bulb, Transmission Indicator (56/57 12-Volt)..... 2.59
- 15798 Housing Assembly F/M (55/57)..... Call
- 15A801 Shifter Light Assembly F/M 29.95
- K15A801 Kit, Shifter Light Assembly (15A801) to (15798) Housing ... 0.40



- 15805 Lens, Shift Indicator F/M 14.85
- K15805 Kit for Dial Indicator Lens F/M..... 0.30



- 15839 Bracket, Neutral Safety Switch 19.95
- K15839 Kit for F/M Transmission Control Selector 3.80
- 15840 Bracket, Shift Indicator Lens Backing 21.75

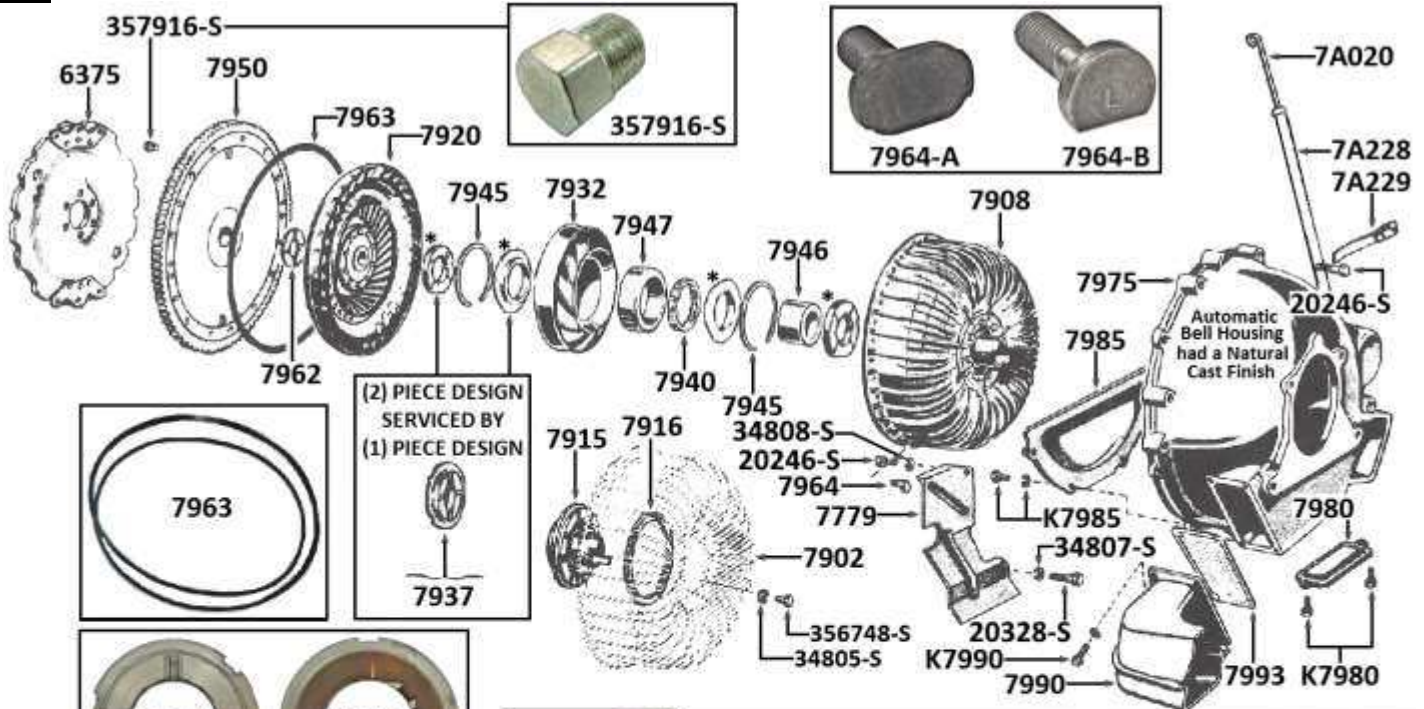


- 20347-S Bolt to Install (15839) to (7416)..... 0.40
- 33798-S Nut to Install (15839) to (7416) 0.30
- 33925-S Nut, Use at (7326/7339) Shift Rod 0.40
- 34806-S Washer to Install (15839) to (7416) 0.20
- 40921-S Screw to Install (7146) to Floor Tunnel 0.35



- 44713-S Washer, Used at (7247) Neutral Safety Switch 0.20
- 44722-S Washer, Used at (7326) Shift Rod 0.20
- 72000-S Cotter Pin 1/16" x 3/8" Long 0.20
- 72034-S Cotter Pin 3/32" x 1" Long 0.25
- 73600-S Pin, F/M Shifter Arm to Neutral Safety Switch 1.00
- 89447-S Set Screw, F/M Shifter Button (Stainless)..... 2.50
- 351341-S Wave Washer, Kick Down & Shift Rods 2.00
- 352962-S Grommet, Wiring Through F/M Shifter Support 4.00
- 353647-S Roll Pin, Use at (7210) Shifter Shaft 0.60
- AU9021 Roll Pin, Use at (7210) Shifter Shaft 0.30

1955/57 Thunderbird (Ford-o-Matic) Converter & Related Parts—Typical



6375	Flex Plate, F/M (Early 55, Used Original).....	Call
6375-A	Flex Plate, Later Design F/M will Replace (6375) (55/57, Reproduction).....	61.95
6375-S	Plate, Flywheel Reinforcement Thick Type F/M.....	7.45
6379-A	Bolt, F/M Flex-Plate to Crankshaft	Call

		
7779-A	Splash Shield, Shift Linkage (55/56) Air Cooled Trans	17.25
7779-B	Splash Shield, Shift Linkage (56/57) Water Cooled Trans..	25.50
7902-AC	Torque Converter F/M Air Cooled Transmission.....	Call
7902-WC	Torque Converter F/M Water Cooled Transmission	Call

		
7915-A	Hub Only Air Cooled Converter (Call for more Info).....	319.00
7916	Seal, Converter Impeller Hub to Impeller 4-1/2" O/D Air Cooled Only	9.95

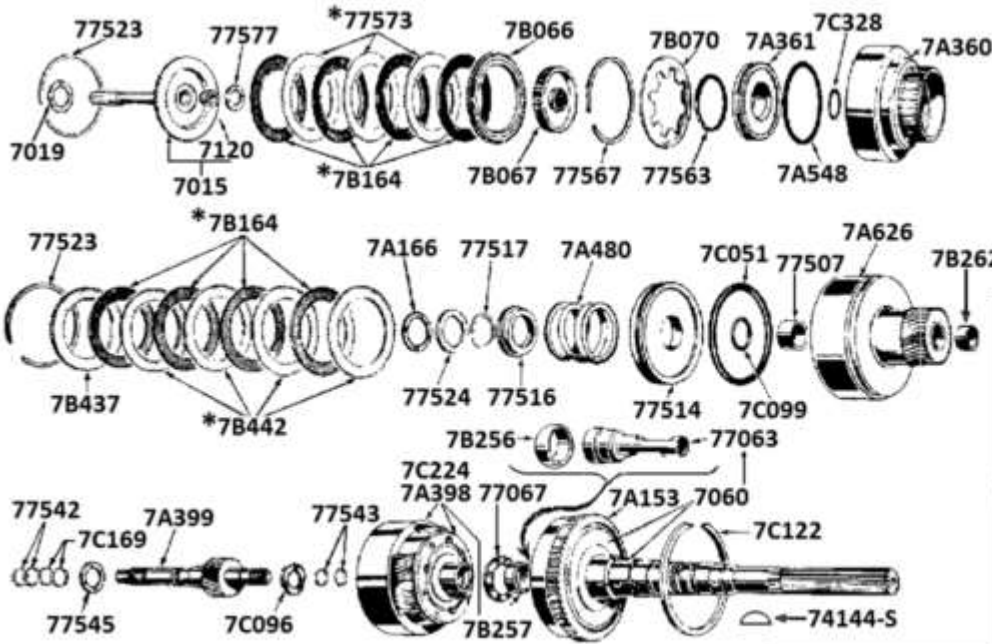
7937-A	Converter Stator & Impeller Thrust (B5A7937A).....	Call
7937-B	Converter Stator & Impeller Thrust (B8A7937A).....	Call
7950-A	Ring Gear, Starter F/M Torque Converter	Call
7963	Seal, Converter Cover to Impeller.....	10.60
7964-A	Bolt, Ring Gear Torque Converter	Call
7964-B	Bolt, Ring Gear Torque Converter	Call
7975	Bell Housing, F/M Liquid Cooled (PAR7975A) (USED).....	Call
7976	Bell Housing, F/M Air Cooled (PMB7976A) (USED).....	Call
357916-S	Plug, Converter Cover Drain	3.00

		
7980-A	Cover, Bell Housing Lower (55)	Call
K7980	Kit for F/M Access Cover (7980-A) Air Cooled	0.60
7980-B	Cover, Bell Housing Lower (56/57)	26.20
20246-S	Bolt, 7/16" - 14 x 2-1/2"	2.20
20328-S	Bolt to Install (7779) 3/8" - 16 x 5/8".....	0.60
32917-S	Screw, Self Tapping, No.10 - 12 x 3/8" Pan Head.....	0.20

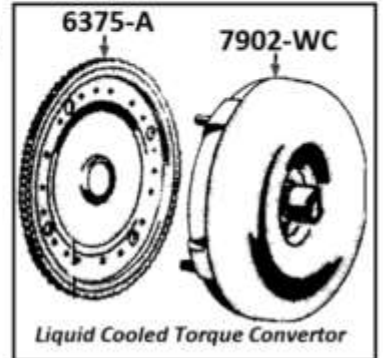
		
7985	Cover, Converter Housing.....	24.95
K7985	Kit, Cover to Converter Housing	2.95

		
7990	Chute, Air Cooled Transmission	Call
K7990	Kit, Converter Air Duct Assembly to Transmission	1.60
7993	Screen Assembly for (7990) Chute.....	Call

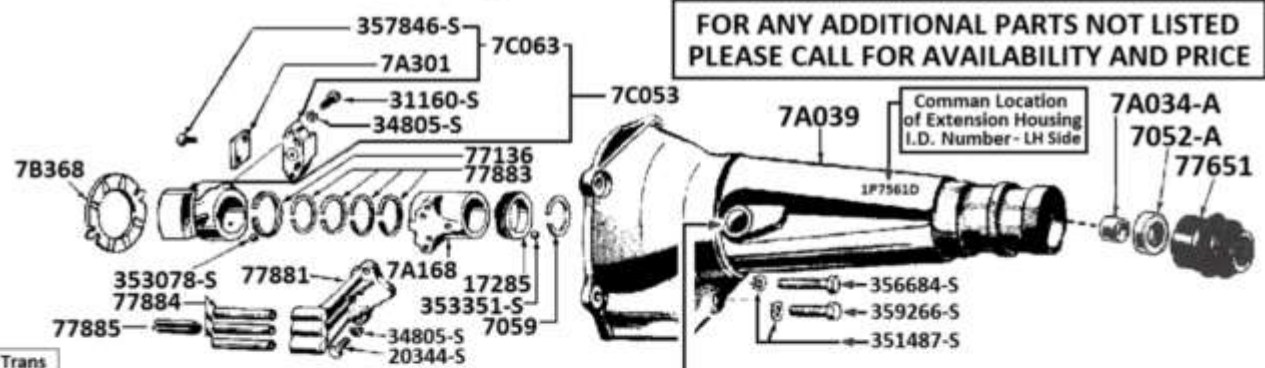
Tech Tip: This item should be painted gloss black.



*Also See 7000-K
 F/M Transmission
 Overhaul Kit
 Listed on Page 62

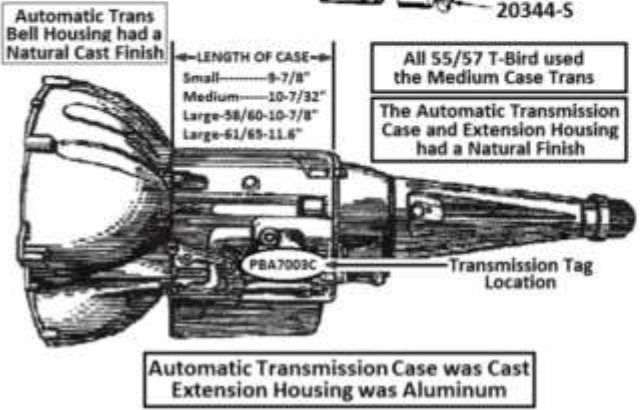


FOR ANY ADDITIONAL PARTS NOT LISTED
 PLEASE CALL FOR AVAILABILITY AND PRICE



Common Location
 of Extension Housing
 I.D. Number - LH Side

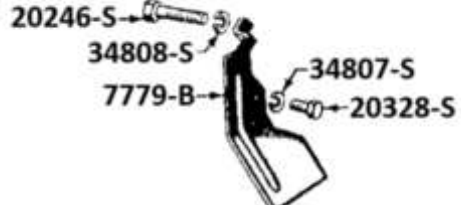
1955/1956 Speedometer Gear Access Hole Angles Up
 1957 Speedometer Gear Access Hole Angles Down



7A034-A	Bushing, Extension Housing (55/57) F/M (55) 292 OD (55) 292 S/T (57) 292 S/T	12.60
7A039-AA	Extension Housing F/M (1P7651D 292 1955)	Call
7A039-AB	Extension Housing F/M (1P7651D 312 1956)	Call
7A039-AC	Extension Housing F/M (PAZ7651C 312 1957)	Call
7052-A	Seal, Rear Output F/M Auto	8.40

6375-A	Flex Plate, Later Design F/M will Replace (6375) Reproduction (55/57)	61.95
7902-WC	Torque Converter F/M Water Cooled Transmission	Call
34370-S7	Nut, Torque Converter, Use at (7964) Bolt	Call
34393-S	Nut, Locking, 5/16"- 24	0.80

56/57 Water Cooled Splash Shield



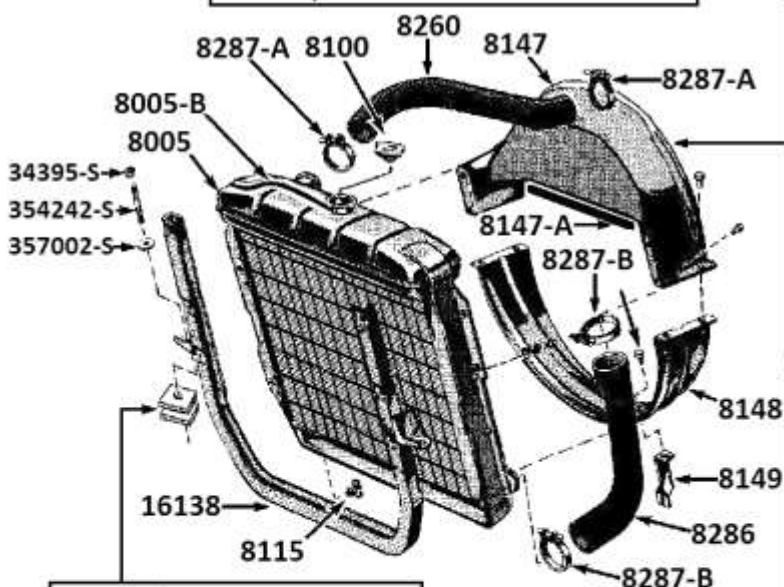
7779-B	Splash Shield, Shift Linkage (56/57) Water Cooled Transmission	25.50
--------	--	-------



74144-S	Key Way, 5/8" x 1/8"	1.10
77651	Boot, Rubber Transmission Output (Like Original)	18.39
353351-S	Ball, Speedometer Driving Gear to Output Shaft	0.75
17285	Speedometer Driving Gear	See Page 129
20246-S	Bolt to Install (7779) 7/16" - 14 x 2-1/2"	2.20
20328-S	Bolt to Install (7779) 3/8" - 16 x 5/8"	0.60
34806-S	Lock washer, 5/16"	0.20
34807-S	Lock washer, 3/8"	0.20
34808-S	Lock washer, 7/16"	0.25

1955/57 Thunderbird Radiator Cooling Illustration—Typical

Tech Tip: Paint Radiator Gloss Black



8124 55/56 - 393002-S 1957
2-pcs Per Side



Radiator Refill Capacity Approximate Cooling System with Heater 1955/56/57.....21qt
K900A Kit Staples.....3.75

34395-S	354242-S	357002-S
34395-S Nut, Locking 3/8"- 24 (2-Per Car)	354242-S Stud, Radiator Support to Frame (2-Per Car)	357002-S Washer, Steel Flat (2-Per Car)
1.30	3.00	1.20
K16138A Kit, Radiator Core Support to Frame (55/56) (4-8124) (2-34395S) (2-354242S) (2-357002S).....		
24.40		
K16138B Kit, Radiator Core Support to Frame (57) (2-34395S) (2-354242S) (2-357002S) (2-393002S).....		
15.40		

K8005A Upper Fan Shroud to Radiator (56/57).....
7.35

K8005B Upper Fan Shroud to Lower & Lower to Bracket (56/57).....
7.35

K8005C Radiator to Radiator Frame (56/57).....
6.00

K8005D Radiator Frame to Body.....
3.00

K8005E Upper Fan Shroud to Lower (55).....
3.80

K8005F Radiator to Radiator Frame (55).....
2.50

K8005G Upper Fan Shroud To Radiator (55).....
3.40

K8005H Lower Fan Shroud Bracket to Shroud & Radiator Bracket (55).....
2.20

K8005I Lower Fan Shroud Bracket to Shroud & Radiator Bracket (56/57).....
3.30

8124 Pad, Radiator Support	3.60
393002-S Washer - Steel Body Mount.....	2.20
Use 8124 on 55/56	
Use 393002-S on 1957	

* In Kit K8501B	** In Kit K8501A
K8501A Water Pump to Engine Without Power Steering	3.85
K8501B Water Pump to Engine With Power Steering	3.85

K8548 Kit, Bypass Tube (8548) To Water Pump.....
1.20

K8592 Water Outlet Connector (8592) To Manifold
1.40

K8600 Fan to Water Pump.....
4.50

1955/57 Thunderbird Radiator and Related Parts



Bracket Solders to the Bottom of the Radiator

- 8005-A Bracket with Nut and Bolt on lower Radiator to Attach Fan Shroud Support Bracket (8149) 6.25
- 8005-AL Bracket similar to 8005-A (Used on Late 57) 6.25

RADIATOR INSTALL KIT	
8005-KA	Kit, Includes (1) 8005A (2) 8115 (1) 8147A (1) 8149 (2) 359279S (1) K900A for Air Cooled Trans 39.95
8005-KB	Kit, Includes (1) 8005AL (2) 8115 (1) 8147A (1) 8149 (2) 359279S (1) K900A for Liquid Cooled Trans 39.95

Tech Tip: 8005-B Should be Painted Gloss Black



- 8005-B Overflow Tube Radiator 24.95
- 8005-BSS Overflow Tube Radiator (Stainless Steel) 35.95

Tech Tip: Radiator should be Painted Gloss Black



- 8005-C Radiator, Heavy Duty 4-Row without Cooler Lines—USA..... 799.95
- 8005-D Radiator, Heavy Duty 4-Row with Cooler Lines—USA..... 849.95
- 8005-E Radiator, Optima with Cooler Lines—USA..... 1119.95
- 8005-F Radiator, Aluminum with Cooler Lines without Overflow Tube 359.95

- Radiators do not come with Brackets, Radiator Cap, Fittings and Drain Cock
- 359279-SA Fitting, Radiator to Cooler Lines use with Aluminum Radiator 4.59
- 359279-S Fitting, Radiator to Cooler Lines (2 Required)..... 4.20

RADIATOR COOLANT OVERFLOW TANK 8005-RK



Easy Installation, Coolant Levels can be checked just like your late model car.

Overflow Tank comes with Reservoir, Tubing & Instructions

- 8005-RK Radiator Overflow Tank Kit 39.95



- 8100-A Radiator Cap Replacement 13# 9.99
- 8100-B Radiator Cap like Original with AC Logo 13# 34.95
- 8115 Radiator Drain Cock 3.70



- 8124 Pad, Radiator Support Rubber 3.40
- 393002-S Washer, Steel Body Mount 5/16" Thick Metal 2.20



- Tech Tip: Fan Shrouds 8147 and 8148 Should be Painted Gloss Black**
- 8147 Panel, Fan Shroud Upper (Reproduction) 109.95
 - 8148 Panel, Fan Shroud Lower (Reproduction) 79.95

- 8147-A Seal, Fan Shroud to Radiator Correct Marks 3.95
- K900A Kit, Staples to Install 8147-A Seal (Package of 12) 3.75



- 8149 Bracket, Fan Shroud Support 10.99



8286-BR / 8286-FS Radiator Hoses and Clamp Kit

Includes: Upper, Lower Radiator Hoses and Clamps

- 8286-AK Kit, Original Style Hoses with FoMoCo Logo 64.95
- 8286-BK Kit, Replacement Hoses 47.95

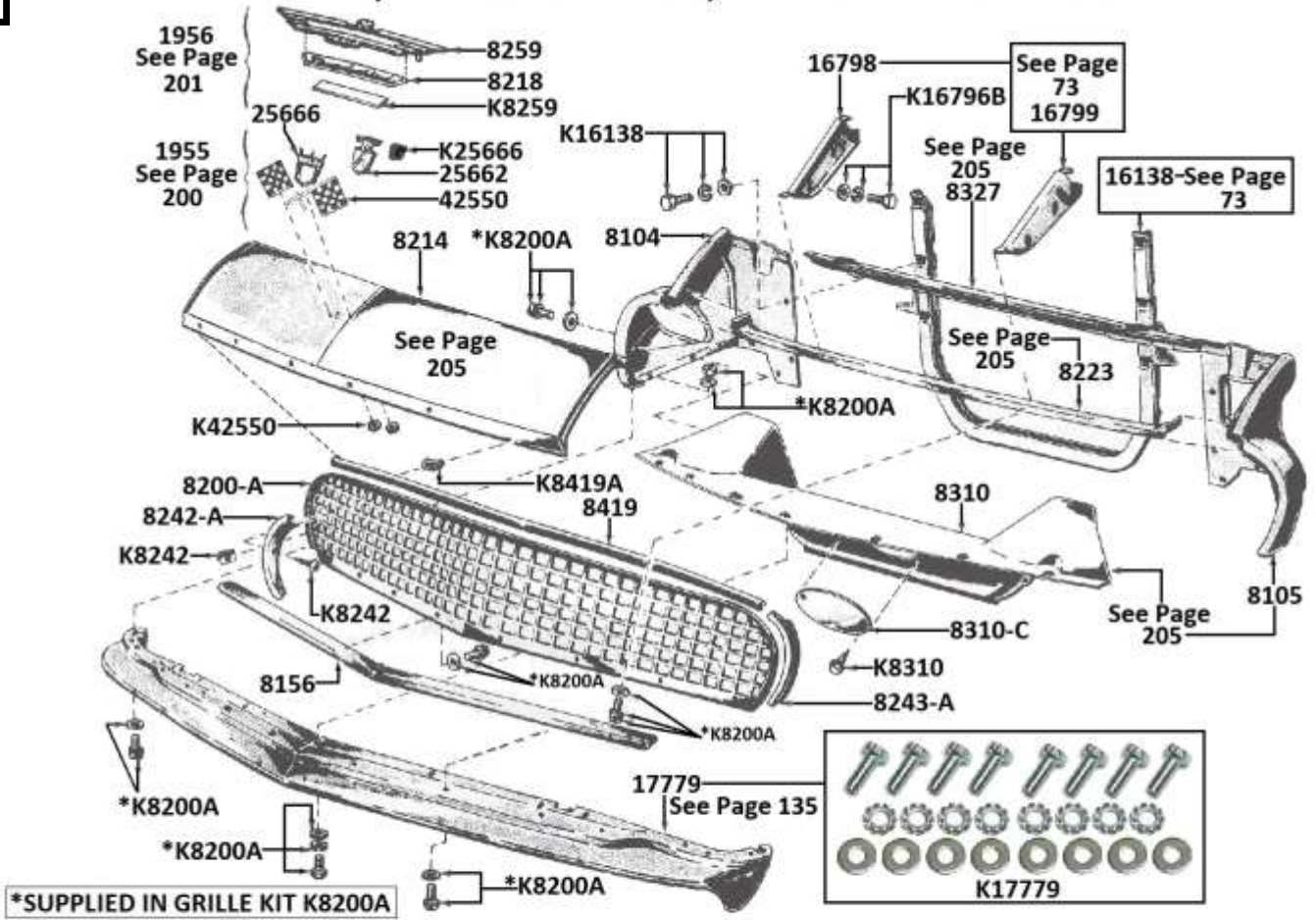
SINGLE RADIATOR HOSES

- 8260 Radiator Hose Upper No Logos 15.95
- 8260-FS Radiator Hose Upper Molded with FoMoCo Logo 24.95
- 8286-BR Radiator Hose Lower No Logos 15.95
- 8286-FS Radiator Hose Lower Molded with FoMoCo Logo 24.95

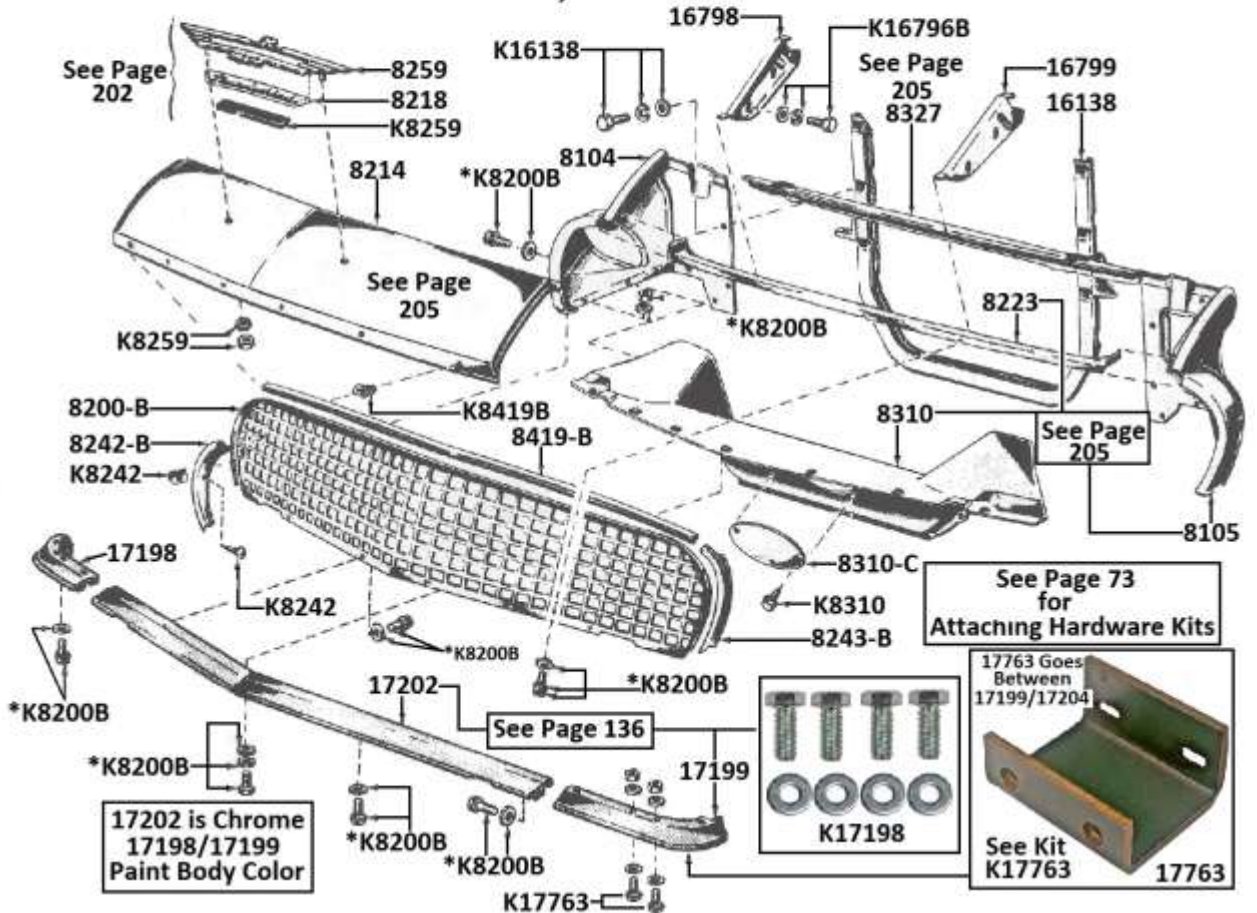


- 8287-A Clamp, Radiator Hose Upper 4.20
- 8287-B Clamp, Radiator Hose Lower 4.25

1955/1956 Thunderbird Grille, Nose Panel and Related Parts



1957 Thunderbird Grille, Nose Panel and Related Parts





1955/1956 GRILLE KIT

8419-A

8200-A

8156

8242-A

8243-A

1955/56 GRILLE KIT INCLUDES:

- 1 - 8200A GRILLE 1 - 8419A GRILLE MLDG UPPER
- 1 - 8156 GRILLE MLDG LOWER 1 - 8242A GRILLE MLDG SIDE RH
- 1 - 8243A GRILLE MLDG SIDE LH 1 - K8200A KIT ATTACHING HARDWARE
- 1 - K8419A KIT UPPER GRILLE MLDG

8200-AK	Grille Kit (55/56)	Call
8156	Molding, Radiator Grille Lower (55/56, Reproduction)	99.95
K8156	Kit, Molding Radiator Grille Lower (55/56)	4.80
8200-A	Grille (55/56, Reproduction)	389.00
8242-A	Grille Side Molding RH (55/56)	45.00
8243-A	Grille Side Molding LH (55/56)	45.00
K8242	Kit, Side Grille Moldings to Body (55/57)	3.00
8419-A	Molding Grille Upper (55/56)	Call



1957 GRILLE KIT

8419-B

8200-B

8242-B

8243-B

1957 GRILLE KIT INCLUDES:

- 1 - 8200B GRILLE 1 - 8419B GRILLE MLDG UPPER
- 1 - 8242A GRILLE MLDG SIDE RH 1 - 8243A GRILLE MLDG SIDE LH
- ATTACHING HARDWARE: 1 - K8200B GRILLE KIT
- 1 - K8242 GRILLE SIDE MLDG KIT 1 - K8419B KIT UPPER GRILLE MLDG

8200-BK	Grille Molding Kit (57)	619.95
8200-B	Grille (57, Reproduction)	389.00
K8200B	Kit, Grille Body and Lower Molding (57)	18.45
8242-A	Grille Side Molding RH (55/56)	59.00
8243-A	Grille Side Molding LH (55/56)	59.00
K8242	Kit, Side Grille Moldings to Body (55/57)	3.00
8419-B	Molding Grille Upper (57, Reproduction)	109.95
K8419B	Kit, Upper Grille Molding to Body (57)	9.60



8310-C



K8310C

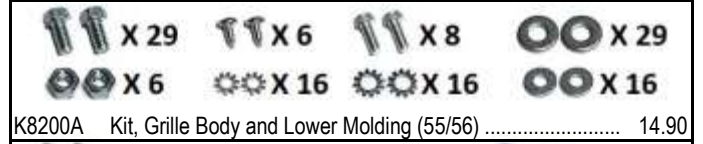
8310-C	Access Hole Cover Lower Air Deflector (Steel)	5.70
K8310C	Kit for Access Cover (8310-C)	1.10



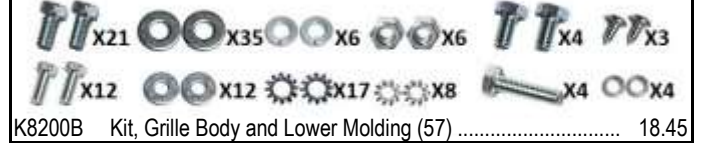
K8005D Kit, Radiator Frame to Body 3.00



K8156 Kit, Molding Radiator Grille Lower (55/56) 4.80



K8200A Kit, Grille Body and Lower Molding (55/56) 14.90



K8200B Kit, Grille Body and Lower Molding (57) 18.45



K8242 Kit, Side Grille Moldings to Body (55/57) 3.00



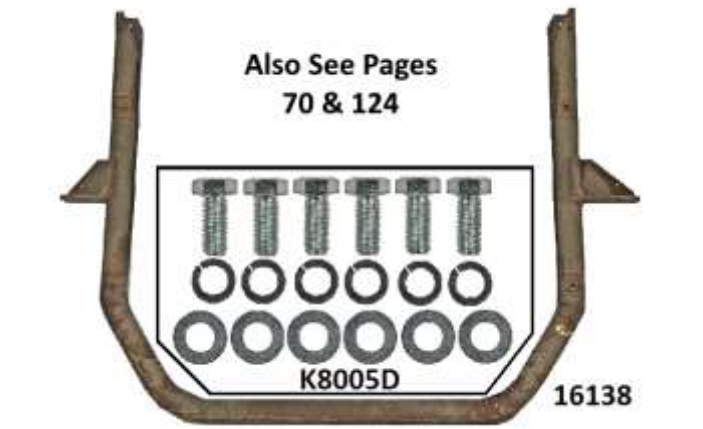
K8419A Kit, Upper Grille Molding to Body (55/56) 9.60



K8419B Kit, Upper Grille Molding to Body (57) 12.60



17202 Deflector, Center Stone (57, Chrome) Call



16138 Radiator Core Support Call



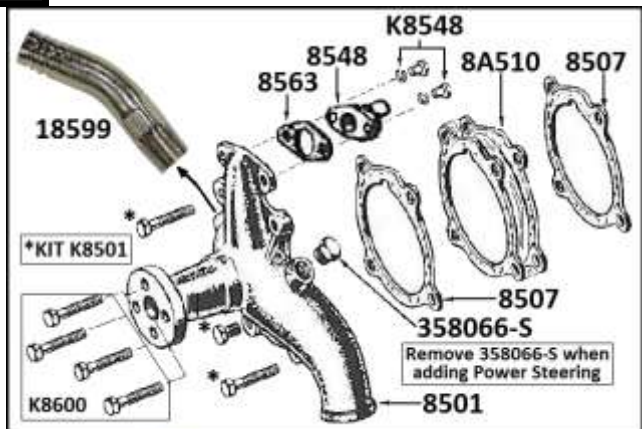
K8005D Kit, Radiator Frame to Body 3.00



16798-A Bracket, Hood Hinge Support RH (Ford Original NOS) 50.00

16799-A Bracket, Hood Hinge Support LH Call

1955/57 Thunderbird Water Pump and Related Parts



K8501A	Kit, Water Pump to Engine Without Power Steering	3.85
K8501B	Kit, Water Pump to Engine With Power Steering	3.85

Includes (2) 8507 Gaskets
(1) 8563 Gasket



8501-A



358066-S

8501-A	Water Pump New with Gaskets	99.95
358066-S	Plug, Hex Head, Water Pump, Without P/S or Intake Manifold without Heater.....	3.95



8507



8A510

8507	Gasket Water Pump.....	1.50
8A510	Spacer Water Pump to Timing Cover Cast Iron.....	69.95



8501-HO

Modified for Higher RPM Flow
There are Four Vanes on the Back Side of the Impeller
Designed to Push more Water

Includes (2) 8507 Gaskets
(1) 8563 Gasket

8501-HO	Water Pump High Output	159.00
---------	------------------------------	--------

Includes (2) 8507 Gaskets
(1) 8563 Gasket



8501-N



ECE-8505-B
STAMPING
LIKE ORIGINAL

8501-N	Water Pump, New with ECE-8505-B Stamping	149.00
--------	--	--------



8509-A



8509-SP

8509-A	Pulley, Water Pump Original Type (55/56) Will Work on '57	129.95
8509-B	Pulley, Water Pump (55/56, Used Original) Use with 3-Blade Fan.....	Call
8509-C	Pulley, Water Pump (57, Used Original).....	Call
8509-SP	Pulley, Water Pump 1" Smaller Diameter for Better Cooling	109.95



8548



K8548

8548	Tube, Water Bypass Front	12.95
K8548	Kit, Bypass Tube (8548) to Water Pump	1.20



8563

18599

8563	Gasket, Water Bypass Tube	1.50
18599	Elbow Heater Hose to Water Pump	14.95



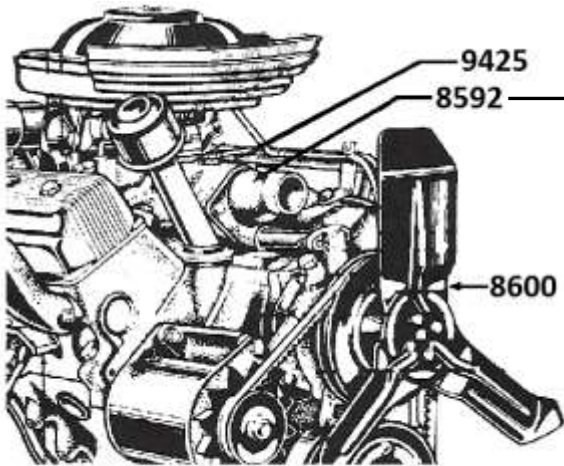
8501-B

Helps prevent overheating by the returning Cooling system to its design efficiency. The baffle is Inserted between the water pump spacer and in front of Timing case cover.

8501-B	Baffle, Water Pump Stainless Steel	20.95
8501-BK	Baffle Kit, Water Pump (1) 8501B & (3) 8507	24.95



K8600	Kit, Fan to Water Pump.....	4.50
-------	-----------------------------	------



8592 Thermostat Housing 51.95
 K8592 Kit, Thermostat Housing (8592) to Manifold 1.40



8600-E
8600-F

8600-G

Engine Cooling Fans on all 1955 until June 1956
 Were Three Blade Fans—Painted Black unless the
 Car was equipped with a Dress-up Kit.
 From June 1956 until end of Production of the 1957 models.

The Fan had Four Blades and Painted Black.

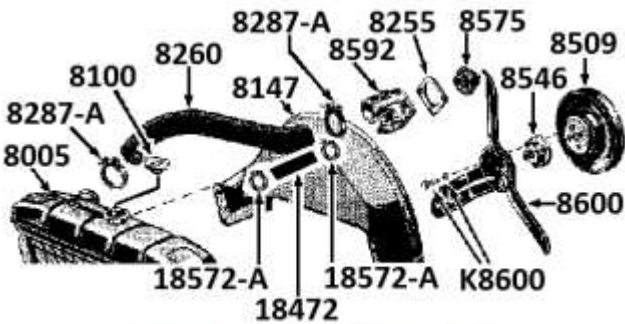
8600-E Fan Blade, 3-Blade (55, Early 56, Black) Call
 8600-F Fan Blade, 3-Blade (55, Early 56, Chrome) Call
 8600-G Fan Blade, 4-Blade (Late 56 through 57, Black) Call



8600-H

K8600

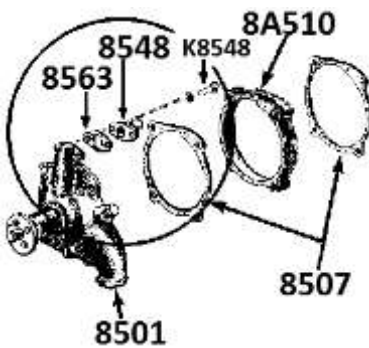
8600-B Fan Blade, 6-Blade 18" without Thermal Clutch 79.95
 8600-H Fan Blade, 6-Blade 17" without Thermal Clutch Call
 K8600 Kit, Fan to Water Pump 4.50



8255

8546

8255 Gasket, Thermostat 1.60
 8546 Spacer, Pulley to Fan 16.95



8548



K8548

8548 Tube, Water Bypass Front 12.95
 K8548 Kit, Bypass Tube (8548) to Water Pump 1.20



8563



8575

8563 Gasket, Water Bypass Tube 1.50
 8575-A Thermostat Water 160 Degree 10.85
 8575-B Thermostat Water 180 Degree 13.45
 8575-C Thermostat Water 170 Degree with Large Opening 19.60



8601

8601 Reinforcement Plate - 3-Blade Fan - (55/56) 19.95



18472



18572-A

18472 Heater Hose, Thermostat to Water Pump 1.00
 18572-A Clamp, Heater Hose Correct Original Type with
 Gold Cadmium Finish Each 1.50

FAN SHROUD KIT

Includes the Upper and Lower Fan Shrouds
Shroud to Radiator Seal, Staples and Bolts



8147-AK Fan Shroud Kit (55/57)..... 202.00

PARTS DEPARTMENT

Hill's Thunderbird Center 866-949-1956

RESTORATION-SALES-TECH
Hill's Classic Cars 740-949-2217

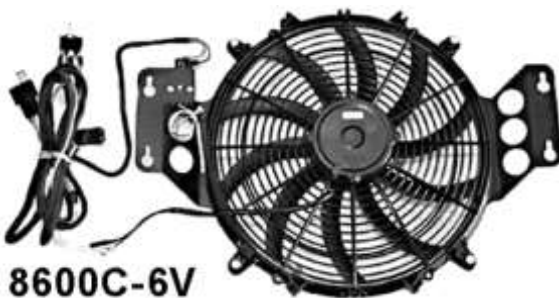
Website: www.hillsresto.com
tbirdcenter@yahoo.com
tbirdcenter@sprintmail.com

All Prices Subject to Change without Notice

8600-A Fan Clutch Thermal with 6-Blade Fan, Use with Air Conditioning Kit or Where Extra Fan Capacity is needed. Not Included in Air Conditioner Kit 179.00

ELECTRIC FAN KIT 6V

Electric Fan Kit, Mounts in Front of Radiator.
High Output 16" Blade. Kit includes Adjustable Thermostat
Original Style Wiring Harness, Switch and Installation Instructions



8600C-6V

8600C-6V Electric Fan Kit 6V..... 289.95



8620-A Belt, Concourse, Fan, (55/56) with 3 Blade Fan 19.95



8620-B Belt, Concourse, Fan (56/57) with 4 Blade Fan 19.95



8620-BL Belt, Concourse, Fan (Late 57) without Notches With 4 Blade Fan..... 19.95



8620-C Belt, Concourse, Power Steering (55 & Early 56)..... 19.95



8620-D Belt, Concourse, Power Steering (56 and 57) 19.95

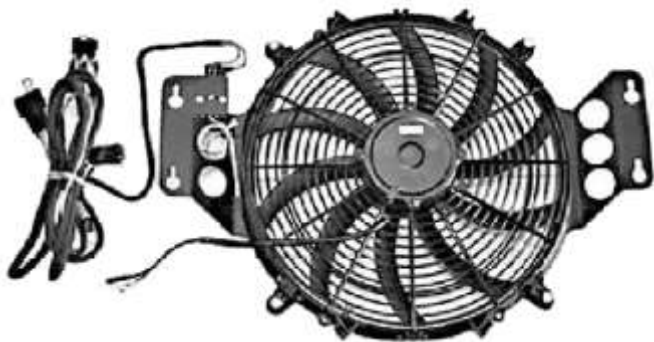


8620-DL Belt, Concourse, Power Steering (Late 57) Without Notches 19.95



8620-R Belt, Fan or Power Steering, Replacement..... 15.95
8620-9470 Belt for Replacement A/C 1/2" x 47-3/8" Use with 19700-KRK (55/57) or 19700-PF (55/56)..... 29.75
8620-9476 Belt for Replacement A/C 1/2" x 47-7/8" Use with 19700-PF (1957)..... 37.45

ELECTRIC COOLING FAN KIT-12V



Electric Fan Kit - Mounts in Front of Radiator.
High Output 16" Blade. Kit includes Adjustable Thermostat
Original Style Wiring Harness, Switch and Installation Instructions

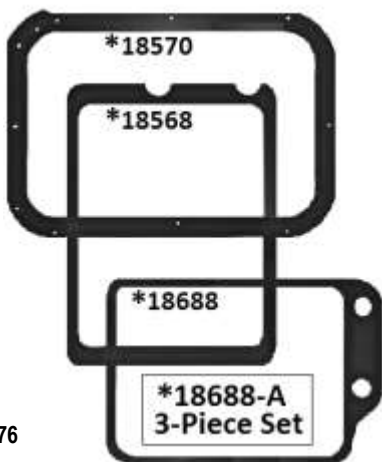
8600C-12V Electric Fan Kit 12V..... 279.95



18472-HK Kit, Heater Hose, Includes: Hoses, (6) 18472A Gold Cad Clamps and (2) 18954 Straps..... 28.90
18472-HDK Same as Above but for Dual-4 Car..... 29.90



HEATER CORE PARTS



* HEATER CORE GASKET SET



18476

18476	Heater Core.....	174.95
K18476	Kit, Heater Core to Housing, Housing & Inner Heater Box to Firewall.....	3.45
18688-A	Heater Core Gasket Set 3 Piece Set: (1) 18570 (1) 18658 & (1) 18688.....	6.95
18570	Gasket, Heater to Dash.....	3.00
18658	Gasket, Heater Core to Case.....	2.90
18688	Gasket, Heater Duct to Case.....	2.90



18481 Bracket, Heater Hoses to Apron..... 5.35
K18481 Kit, Heater Hose Bracket (18481) to Apron..... 1.20

18481

K18481

Tech Tip: 18481 should be Painted Gloss Black



18495 Heater Control Valve on Intake, Exact Reproduction..... 89.95
18599 Elbow, Heater Hose to Water Pump..... 14.95
18599-A Elbow, Heater use with (18495-RK) Only
Installed at Intake Manifold..... 13.85

18495

18599

18599-A



8600-D Bracket Kit - Allows Use of our Electric Fan Kits With Air Conditioning..... 6.75

HEATER HOSE CLAMPS - LIKE ORIGINAL



18572-A Clamp, Heater Hose Correct Original Type with Gold Cadmium Finish..... Each 1.90
18572-A is Correct Original Type Clamp

HOSE CLAMP KIT

All clamps needed for Radiator, Heater, Bypass, P/B Booster Flex Hose P/S Return Line, Includes: (2) 8287A (2) 8287B (6) 18572A & (3) 18572B.....

18572-C..... 29.90

MANUAL HEATER CONTROL KIT



Converts your Vacuum System to a Mechanical System
Uses Same Controls on Dash

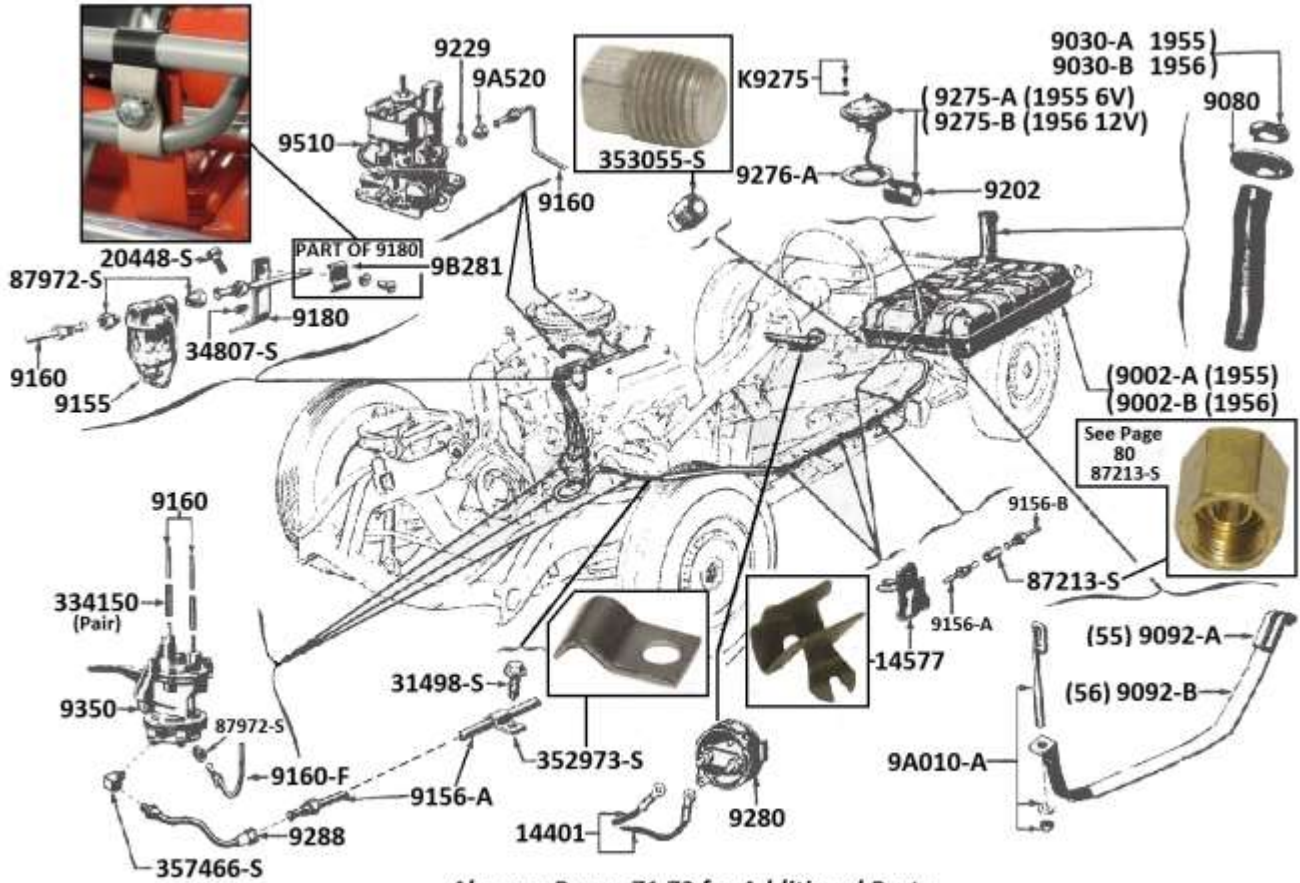
18495-RK Manual Heater Control Kit..... 64.50



Band Used at Spark Plug Wires and Used to Band Heater Hoses Together

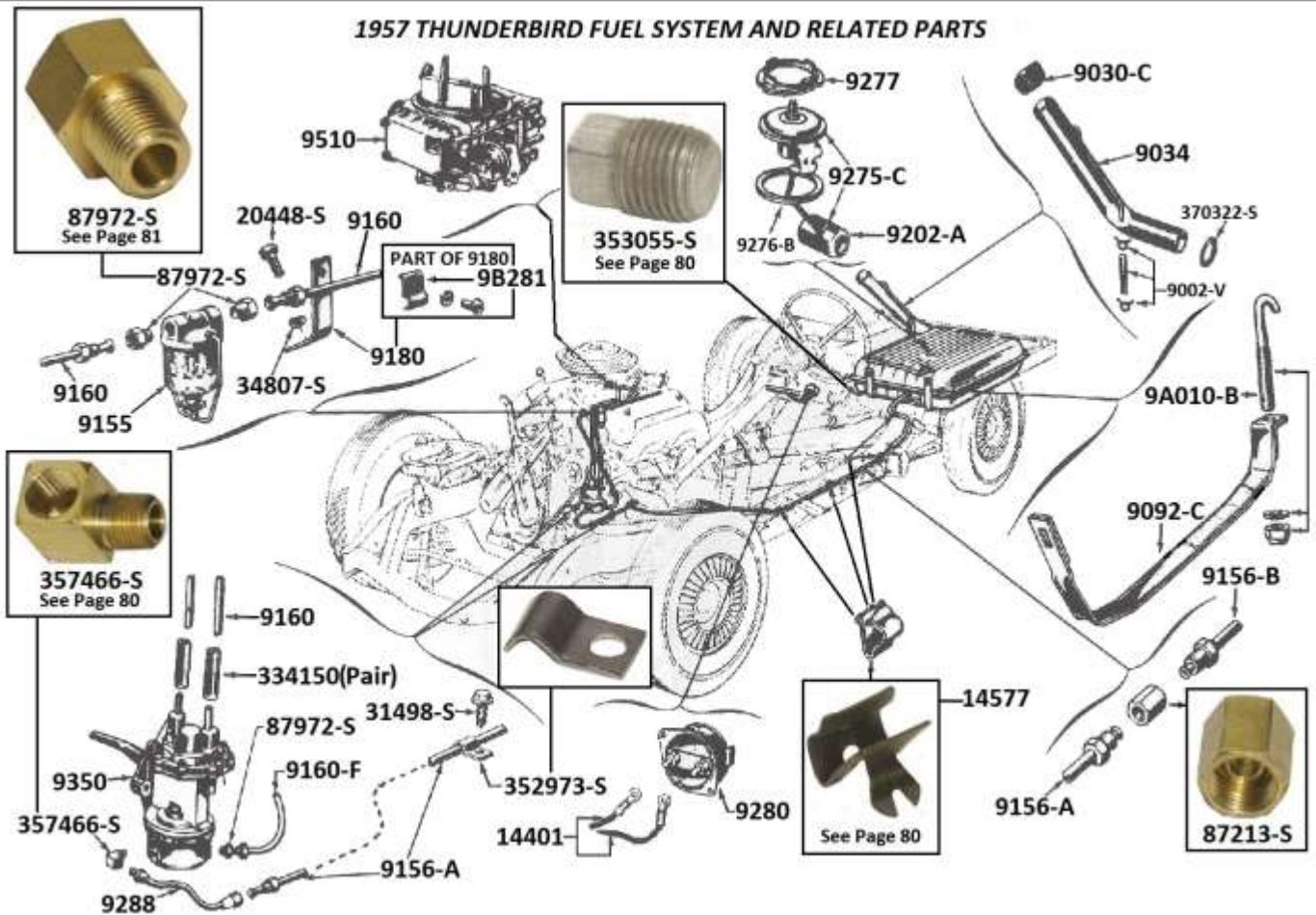
18954 Band Used to Tie Heater Hoses Together..... 2.65

1955/1956 Thunderbird Fuel System and Related Parts



Also see Pages 71,72 for Additional Parts

1957 THUNDERBIRD FUEL SYSTEM AND RELATED PARTS



1955/57 Thunderbird Fuel System and Related Parts



Refill Capacities
Fuel Tank
 1955-56....17 gal.
 1957..... 19 gal.



353055-S

9A068 PAD LOCATIONS BETWEEN TANK AND TRUNK FLOOR

9002-55	Gas Tank 1955 Gas Tank Like Original.....	319.95
9002-56	Gas Tank 1956 Gas Tank Like Original.....	319.95
9002-57	Gas Tank 1957 Gas Tank Like Original.....	349.95
353055-S	Plug, Gas Tank.....	2.85

GAS TANK INSTALL KIT

**Includes: Gas Tank, Tank Straps, Strap Bolts, Tank Pads
 Tank Strap Liner, Filler Neck grommet for 55/56**

9002-K55	1955 Gas Tank Kit, Use with (9002-55).....	379.95
9002-K56	1956 Gas Tank Kit, Use with (9002-56).....	379.95
9002-K57	1957 Gas Tank Kit, Includes (9277 & 370322S) Does not include (9034) Filler Neck, Use with (9002-57) ...	399.95



9002-V

9002-V	Fuel Tank Vent Hose and Clamps (57).....	2.50
--------	--	------



9A010-A

9A010-B

9A010-A	Bolt, Fuel Tank Strap (55/56, Plated).....	6.50
9A010-B	Bolt, Fuel Tank Strap (57, Plated).....	5.45



9030-A

9030-B

9030-C

9030-A	Gas Cap like Original (55, Recessed Type).....	25.40
9030-B	Gas Cap like Original (56 and Early 57).....	25.40
9030-C	Gas Cap like Original (Late 57).....	25.40

Gas Caps Qualify for CTCI Excellence in Authenticity



9034-A

370322-S Goes Here

9034

370322-S

9034	Gas Fill Tube (57).....	249.00
370322-S	O-Ring Fuel Tank Filler Neck (57 Only).....	2.00



9034-A

9034-B

9034-B



K9034B

K9034C

9034-A	Strap, Solders to Gas Filler Neck (57).....	11.00
9034-B	Bracket, Fuel Fill Tube to Body (57).....	11.99
K9034B	Kit, Gas Filler Lid to Hinge (57).....	2.10
K9034C	Kit, Fuel Inlet Bracket to Filler & Rear Quarter (57).....	1.00



Use 7 to 8
9A068 Pads
9A068

9080

9092-P

9A068	Pad between Tank and Trunk (55/57).....	1.00
9080	Grommet, Gas Filler Neck Tube (55/56).....	7.95
9092-P	Pad between Tank and Retaining Straps (Pair).....	6.10



(9092-C Shown)

9092-A	Strap, Fuel Tank Retainer (55).....	16.50
9092-B	Strap, Fuel Tank Retainer (56).....	16.50
9092-C	Strap, Fuel Tank Retainer (57).....	16.50



9202

9202-A

9202	Float, Fuel Sending Unit, 1-3/16" Diameter 55/56.....	16.85
9202-A	Float, Fuel Sending Unit, 1-1/8" Wide 2" Long (57).....	10.00



9275-A

K9275

9276-A

**9276-A and K9275
 Included in 9275-A**

9275-A	Fuel Sending Unit with Gasket (55, 6V).....	64.95
9276-A	Gasket, Fuel Sending Unit (55/56).....	1.65



9275-B

9276-A

**Also See Pages
 158 (55/56)
 159 (1957)
 Fuel Gauges at Dash**

9275-B	Fuel Sending Unit with Gasket (56, 12V).....	69.95
9276-A	Gasket, Fuel Sending Unit (55/56).....	1.65
K9275	Kit, Fuel Sending Unit to Tank (55/56).....	1.90



9276-B

**9276-B Included
 with 9275-C**

**9277
 Sold
 Separately**

**See Page 165 for
 Fuel Gauge at Dash**

9275-C STAINLESS STEEL

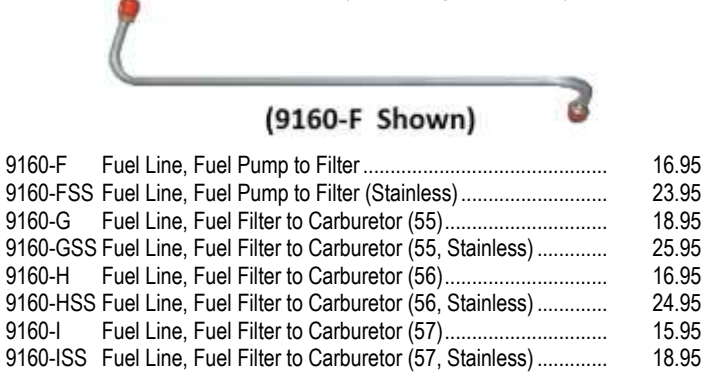
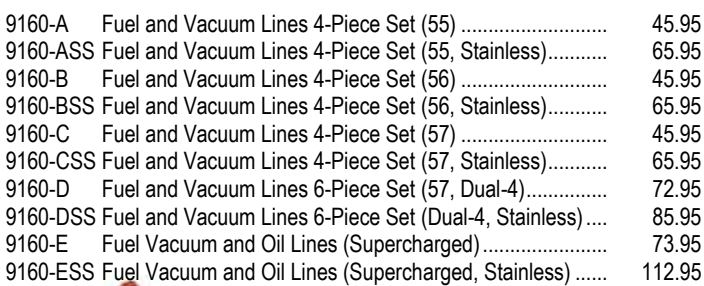
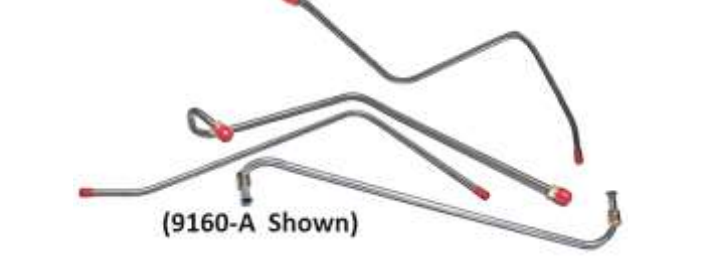
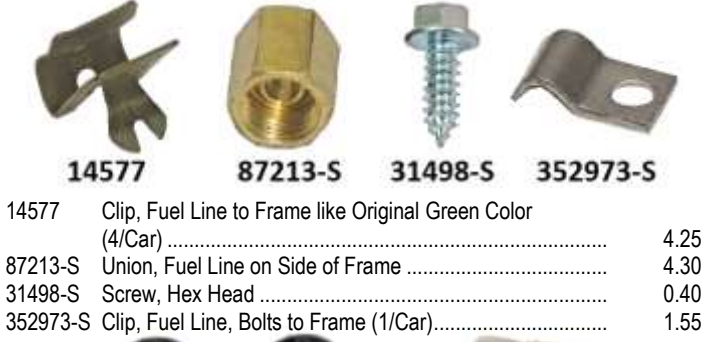
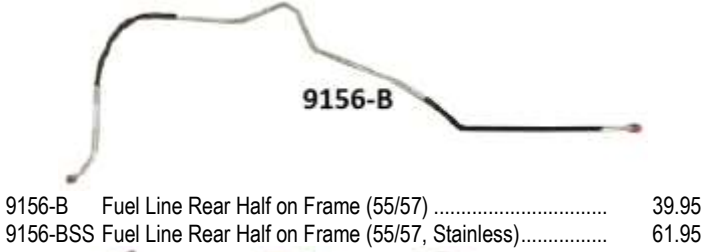
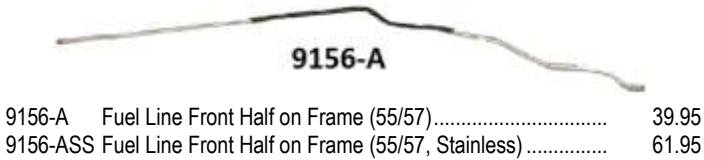
9275-C	Fuel Sending Unit with Gasket (57, 12V).....	59.95
9276-B	Gasket, Fuel Sending Unit (57).....	1.75
9277	Retaining Ring, Fuel Sending Unit (57).....	9.95



9280-B

9280-B	Fuel Gauge and Sending Unit Set, Replace Dash Looks Original (55/56 - 12V).....	149.95
--------	--	--------

1955/1957 Thunderbird Fuel Lines, Filters and Related Parts



FUEL FILTER ASSEMBLY

9155 Fuel Filter Assembly AC
 Dome Top Reproduction Short Bowl 55.00
 9155-A Fuel Filter Assembly Reproduction 32.00
 9155-ER 1957 Fuel Filter Assembly was stamped with P/N ECT9155AB (Supercharged) 515.00
 9155-G Glass Only, Fuel Bowl..... Call
 9155-R Fuel Filter Assembly AC Flat Top Replacement Short Bowl Call

FUEL FILTER ELEMENTS

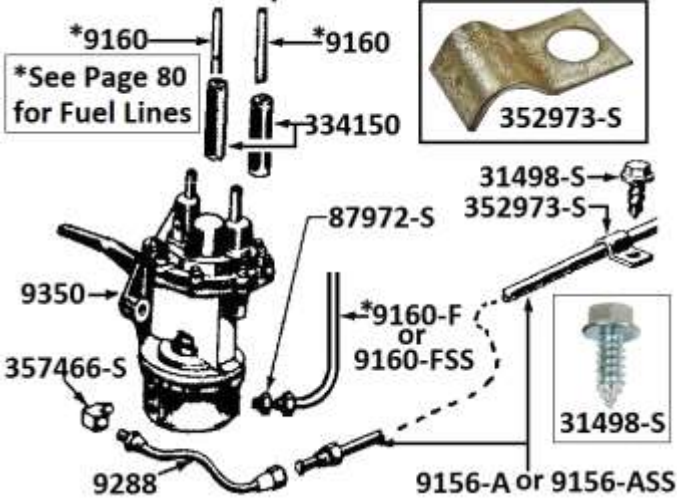
9364-A Gasket, Fuel Filter Bowl 3.00
 9364-B Gasket, Fuel Filter Bowl "E" Filter 5.00
 9365-A Filter, Paper Type with Gasket..... 9.20
 9365-E Filter, Dual-4 Trash Can with Gasket..... 11.85
 9387 Bail Assembly Fuel Pump Filter Bowl Call



9288

- 9288 Flex Fuel Line Connects Pump to Steel Line..... 18.00
- 9288-B Flex Fuel Line Connects Pump to Steel Line (Braided)..... 24.00

Fuel Pump and Related Parts



- 31498-S Screw, Hex Head 0.40
- 87972-S Brass Tube Connector—Fuel Pump Tube to Fuel Pump and Fuel Filter..... 2.69
- 334150 Vacuum Hose 7/32" for top of Fuel Pump (2-pcs)..... 1.20
- 357466-S Elbow Fitting - Brass - Fuel Line to Fuel Pump 3.90



9350

9417

9417 Gasket Included with Fuel Pump

- 9350 Fuel Pump New..... Call
- Rebuilt Fuel Pumps**
- Good Fuel Pump Cores are Original with A/C Logo Or Fuel Pumps with Fillister Head (Slotted Screws)**
- 9350-A Fuel Pump Rebuilt without AC Logo 219.00
- Core Charge..... 75.00
- 9350-R Fuel Pump Rebuilt Original with AC Logo..... 239.00
- Core Charge..... 75.00
- 9417 Gasket Fuel Pump Mounting 2.00



87972-S

357466-S

K9350

- 31498-S Screw, Hex Head 0.40
- 87972-S Brass Tube Connector—Fuel Pump Tube to Fuel Pump and Fuel Filter..... 2.69
- 334150 Vacuum Hose 7/32" for top of Fuel Pump (2-pcs)..... 1.20
- 352973-S Clip, Fuel Line, Bolts to Frame (1/Car) 1.55
- 357466-S Elbow Fitting - Brass - Fuel Line to Fuel Pump 3.90
- K9350 Kit, Fuel Pump (9350) to Timing Cover..... 1.90

Electric Fuel Pump Kits



9350-E12

Includes: Pump, Bracket, Switch Wiring and Instructions

Electric Fuel Pumps are meant to work with the mechanical fuel pump. These are not meant to Replace the fuel pump.

- 9350-E6 Fuel Pump Electric Kit (6V) Call
- 9350-E12 Fuel Pump Electric Kit (12V)..... 169.00



9424

K9424

Firing Order was not on 1957 312 Manifolds until Feb/Mar 1957. Most February Manifolds did not have the Firing Order. All 1957 Manifolds had the Firing Order and intake Port Numbers after February 1957.

- 9424-A Intake Manifold, Used (55) ECB9425B Call
- 9424-B Intake Manifold, Used (56) ECZ9425A Call
- 9424-C Intake Manifold, Used (57) ECG9425H 2V Call
- 9424-D Intake Manifold, Used (57) ECG9425B Call
- 9424-E56 Intake Manifold, Used (56 Dual-4) EDB9425C Call
- 9424-E57 Intake Manifold, Used (E-Bird 57 Dual-4) ECG9424D Call
- 9424-57AL Intake Manifold, Aluminum 4V 1957 (No Clamps)..... 835.00
- Date Code for 57 Dual-4 Intake were just aft of the Thermostat Housing
- K9424 Kit, Intake Manifold to Heads 9.00



9433-TZ

- 9433-TZ Gasket Kit Intake Manifold with Restricted Port..... 16.95



9446-A

1-7/8" Long

9446-B

2-1/4" Long Use on E-Birds

- 9446-A Clamp, Intake Manifold to Cylinder Head Call
- 9446-B Clamp, Intake Manifold to Cylinder Head E-Bird Call
- 9446-AL Intake Clamps Set of 4 - Aluminum Replacements 75.00

1955/1956 Thunderbird Carburetor (Holley 4000) and Related Parts



- 9510-A Carburetor, (Rebuilt Original) (55) 425.00
- Core Deposit on (9510-A)..... 250.00
- K9510 Kit, Carburetor to Intake (55/57)..... 1.60
- 88411-S Stud - Carburetor Mounting in Manifold (55)..... 1.50



- 9510-B Carburetor (Rebuilt Original) (56) 425.00
- Core Deposit on (9510-B)..... 250.00
- K9510 Kit, Carburetor to Intake (55/57)..... 1.60
- 357428-S Stud - Carburetor Mounting in Manifold (56)..... 1.50

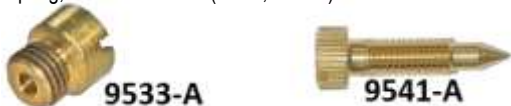
55/56 Carburetor ID List Numbers can be found at the Rear Base Of the Carburetor. Holley 4000



- 9447-AR Gasket, Carburetor to Manifold (55) 6.95
- 9447-BR Gasket, Carburetor to Manifold (56)..... 4.00



- 9503-A Secondary Throttle Diaphragm (55/56) 24.00
- 31061-S8 Screw (9507) Cover to Diaphragm Housing 55/56..... 0.80
- 9516-A Gasket, Throttle Body to Main Body (55/56) 3.15
- 9A516 Valve, Accelerator Pump Discharge Needle 3.45
- 9518-AB Bushing Set, Throttle Shaft (55/56, Only 5 Pieces)..... 20.95
- 9A519-A Spring, Carburetor Float (55/57, Dual-4)..... 3.50



- 9533-A Jet Main Metering #48 5.20
- 9533-B Jet Main Metering #49 5.20
- 9533-C Jet Main Metering #50 5.20
- 9533-D Jet Main Metering #51 5.20
- 9533-E Jet Main Metering #52 5.20
- 9533-F Jet Main Metering #53 5.20
- 9533-G Jet Main Metering #55 5.20
- 9533-H Jet Main Metering #45 5.20
- 9541-A Needle idle Adjusting (55/56) 3.75



- 9B544 Accelerator Pump Piston with Viton Cup Seal (55) 29.95
- 9B544-A Same as Above (56) 25.95



- 9B549 Dashpot F/M Throttle 59.95
- 9550-A Float Carburetor (55/56)..... Call



- 9B550-A Bracket, Dashpot (55/56) 19.85
- 31596-S7 Kit to Install Bracket (9B550-A) to Carburetor (2-Required)..... 1.00
- 9561-A Gasket, Main Body (55/56) Cover Plate 4.50



- 9564-A Needle and Seat (55/56) Screw Type..... 11.85
- 9564-B Needle and Seat (55/56) Press-In Type 11.85
- 9A565 Valve, Economizer (55/56)..... 12.00



- 9572 Accelerator Pump Cup 4.90
- 9B572 Valve, Spark Control (55/56)..... 11.95
- 9B572-T Carburetor Socket Control Valve Remover 12.95
- 9578 Spring, Idle Adjusting Needle All..... 1.50



- 9581-AK Throttle Rod Kit Primary 78.75
- 9586-A Screw Kit only (55/56) Throttle Plates 7.89



- 9A586-C Carburetor Premium Kit (55/56, 57 Dual-4, 57 S/C)..... 89.00
- 9A588 Gasket, Spark Control Valve 9B572 (55/56)..... 1.00
- 9597 Cam Counterweight (55/56) Call
- 9616-7 Vent Tubes Carburetor (55, Pair)..... 24.85
- 9616-B Vent Tubes Carburetor (56, Pair)..... 19.95
- 9655 Seal, Choke Air Inlet (55/57, Dual-4) 3.90



- 9853-A Gasket, Choke Housing (56)..... 1.85
- 9853-C Gasket, Secondary Throttle Diaphragm (55/56)..... 1.25
- 9937 Spring, Fuel Filter Screen in Carburetor 2.85
- 9938 Screen, Fuel Filter in Carburetor..... 5.50
- 9944-A Plug and Seal for Carburetor Needle and Seat (55/56)..... 16.69
- 31036-S8 Screw #6-32 x 5/16" 1.50

1957 Thunderbird Carburetor Assembly (Holley 4-Barrel)

9600 AIR CLEANER & PARTS
See Page 88

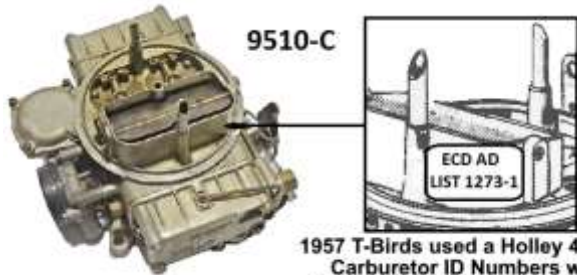
9600
9601
9601-B
9654-B

(ZINC)358462-S
(CHROME)358464-S

1957 THUNDERBIRD CARBURETOR INFO
Holley Model 4150 312 Four Barrel was used on the 1957 Thunderbirds. The I.D. Numbers are Stamped on the Air Horn as Pictured. (9510 was not stamped).
ECZ9510AC List 1272-1 312 4V with Standard Transmission
ECZ9510AD List 1273-1 312 4V with Automatic Transmission

9600-D
50420-S
9577
98501
9647
9580
9546
9586
9545
9A518
9512
9516-B
9538
9518
9586
9585
9583
9584
9585
9586
9588
9589
9590
9591
9592
9593
9594
9595
9596
9597
9598
9599
9600
9601
9601-B
9602
9603
9604
9605
9606
9607
9608
9609
9610
9611
9612
9613
9614
9615
9616
9617
9618
9619
9620
9621
9622
9623
9624
9625
9626
9627
9628
9629
9629-A
9630
9631
9632
9633
9634
9635
9636
9637
9638
9639
9640
9641
9642
9643
9644
9645
9646
9647
9648
9649
9650
9651
9652
9653
9654
9654-B
9655
9656
9657
9658
9659
9660
9661
9662
9663
9664
9665
9666
9667
9668
9669
9670
9671
9672
9673
9674
9675
9676
9677
9678
9679
9680
9681
9682
9683
9684
9685
9686
9687
9688
9689
9690
9691
9692
9693
9694
9695
9696
9697
9698
9699
9700
9701
9702
9703
9704
9705
9706
9707
9708
9709
9710
9711
9712
9713
9714
9715
9716
9717
9718
9719
9720
9721
9722
9723
9724
9725
9726
9727
9728
9729
9729-A
9730
9731
9732
9733
9734
9735
9736
9737
9738
9739
9740
9741
9742
9743
9744
9745
9746
9747
9748
9749
9750
9751
9752
9753
9754
9755
9756
9757
9758
9759
9760
9761
9762
9763
9764
9765
9766
9767
9768
9769
9770
9771
9772
9773
9774
9775
9776
9777
9778
9779
9780
9781
9782
9783
9784
9785
9786
9787
9788
9789
9790
9791
9792
9793
9794
9795
9796
9797
9798
9799
9800
9801
9802
9803
9804
9805
9806
9807
9808
9809
9810
9811
9812
9813
9814
9815
9816
9817
9818
9819
9820
9821
9822
9823
9824
9825
9826
9827
9828
9829
9830
9831
9832
9833
9834
9835
9836
9837
9838
9839
9840
9841
9842
9843
9844
9845
9846
9847
9848
9848-B
9849
9850
9851
9852
9853
9854
9855
9856
9857
9858
9859
9860
9861
9862
9863
9864
9865
9866
9867
9868
9869
9870
9871
9872
9873
9874
9875
9876
9877
9878
9879
9880
9881
9882
9883
9884
9885
9886
9887
9888
9889
9890
9891
9892
9893
9894
9895
9896
9897
9898
9899
9900
9901
9902
9903
9904
9905
9906
9907
9908
9909
9910
9911
9912
9913
9914
9915
9916
9917
9918
9919
9920
9921
9922
9923
9924
9925
9926
9927
9928
9929
9930
9931
9932
9933
9934
9935
9936
9937
9938
9939
9940
9941
9942
9943
9944
9945
9946
9947
9948
9949
9950
9951
9952
9953
9954
9955
9956
9957
9958
9959
9960
9961
9962
9963
9964
9965
9966
9967
9968
9969
9970
9971
9972
9973
9974
9975
9976
9977
9978
9979
9980
9981
9982
9983
9984
9985
9986
9987
9988
9989
9990
9991
9992
9993
9994
9995
9996
9997
9998
9999
10000

1957 Thunderbird Carburetor (Holley 4150) and Related Parts



1957 T-Birds used a Holley 4150 Carburetor ID Numbers were stamped on the front Air Horn

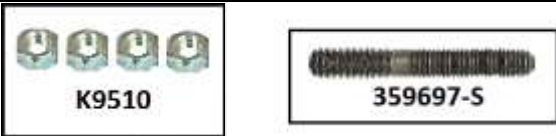
9510-C	Carburetor (57, Rebuilt Original)	425.00
	Core Deposit in Above	250.00



Now with Electric Choke

Requires 9520 Fuel Line for Installation

9510-H	Carburetor (New Replacement Type) (Electric Choke) (57)	799.00
9520	Fuel Line for 9510-H Replacement (57)	25.95
9520-SS	Same as Above, Stainless	29.95
9229	Gasket, Carburetor Fuel Inlet	0.79
9229-A	O-Ring, Carburetor Tube 4V Holley (57)	0.30



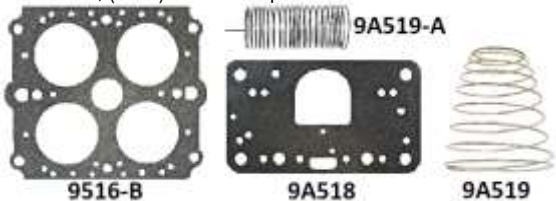
K9510	Kit, Carburetor to Intake (55/57)	1.60
359697-S	Stud, Carburetor Mounting in Manifold (57)	1.50



9A520-A	Fitting Fuel Inlet on Carburetor	18.30
9A520-B	Bolt, Adapts (9520) to Replacement Carburetor	29.95
358165-S	Connector, Carburetor Nut for Vacuum Adv. Line (57)	3.15



9447-C	Gasket, Carburetor to Spacer and Manifold (57)	4.00
9503-B	Secondary Throttle Diaphragm (57)	15.45
31061-S8	Screw, Special Used at Different Locations, #8-32 x 1/2"	1.50
31077-S8	Screw, (9507) Cover to Diaph. Housing (57) #8-32 x 5/8"	1.35
43250-S	Screw, (9528) Accel. Pump Cover to Carb #6-32 x 1/2"	1.20



9516-B	Gasket, Throttle Body to Main Body (57)	6.85
9A518	Gasket, Carburetor Metering Block (57)	3.90
9A519	Spring, Carburetor Float (57) Spring Carburetor Float	Call
9A519-A	Spring, Carburetor Float (55/57, Dual-4)	3.50

9533-A	Jet Main Metering #48	5.20
9533-B	Jet Main Metering #49	5.20
9533-C	Jet Main Metering #50	5.20
9533-D	Jet Main Metering #51	5.20
9533-E	Jet Main Metering #52	5.20
9533-F	Jet Main Metering #53	5.20
9533-G	Jet Main Metering #55	5.20
9533-H	Jet Main Metering #45	5.20
9534-A	Tube, Fuel Bowl Connection (57)	Call



9B549	Dashpot F/M Throttle	59.95
9550-B	Float, Carburetor (57 4V)	15.85
9550-H	Float for (9510-H) Replacement Carburetor	Call
9B550-B	Bracket, Dashpot (57)	19.95
356736-S7	Screw, Installs Bracket (9B550-B) to Carburetor	1.60



9B559	Diaphragm Pump (57)	8.25
9B559-A	Diaphragm Pump (57, Best One)	14.85
9560-B	Spring, Pump Chamber Vent (57)	Call
9561-B	Gasket, Carburetor Fuel Bowl (57)	3.85
9564-C	Needle and Seat Carburetor (57)	10.85
9564-D	Needle and Seat Carburetor (57 Replacement Carburetor)	9.65
9A565-A	Valve, Economizer Primary (57)	12.00
9A565-B	Valve, Power Secondary (57)	12.00
9A565-C	Power Valve for (9510-H) Carburetor	12.50
9578	Spring, Idle Adjusting Needle, All	1.50



9A586-D	Carburetor Repair Kit (57 4BBL, 4150 Series)	89.00
9A586-E	Carburetor Repair Kit (57 2BBL)	65.00
9A586-F	Carburetor Repair Kit for (9510-H) Replacement Carburetor	89.00
9A588-A	Gasket, Power Valve (57)	1.00

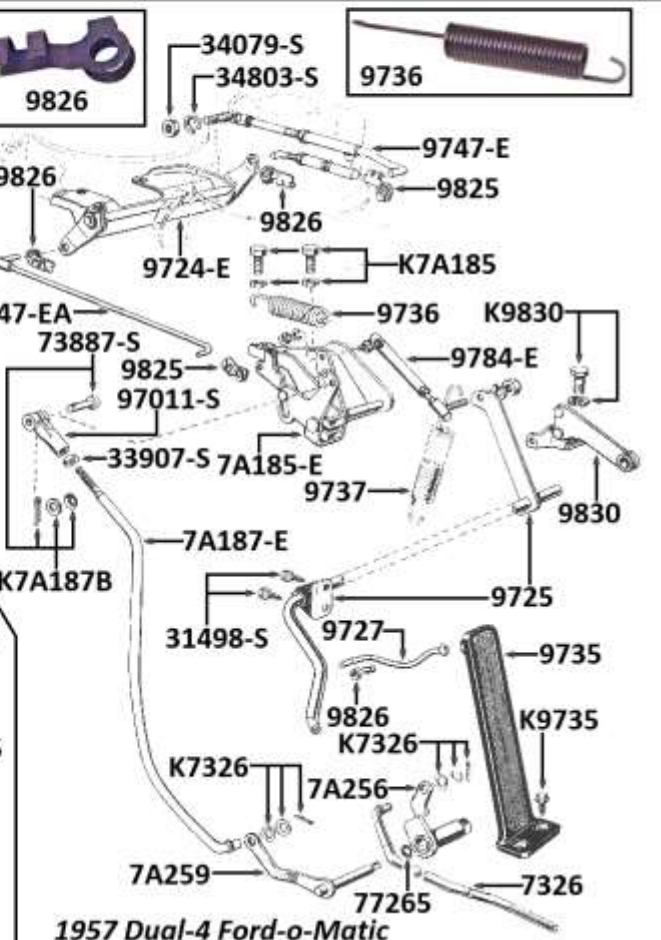
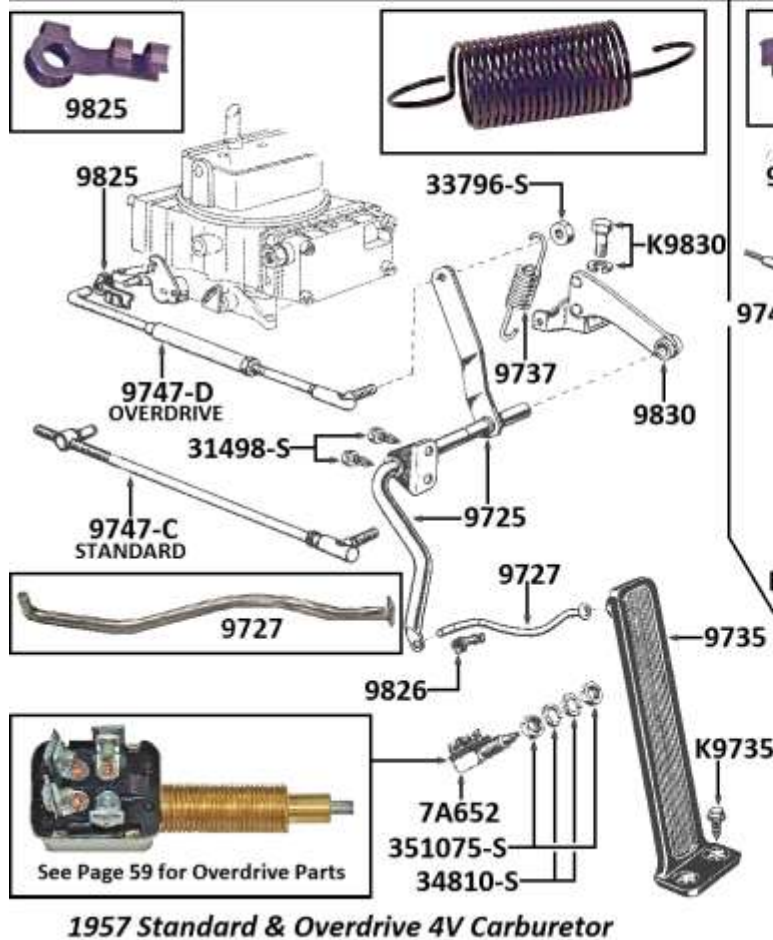
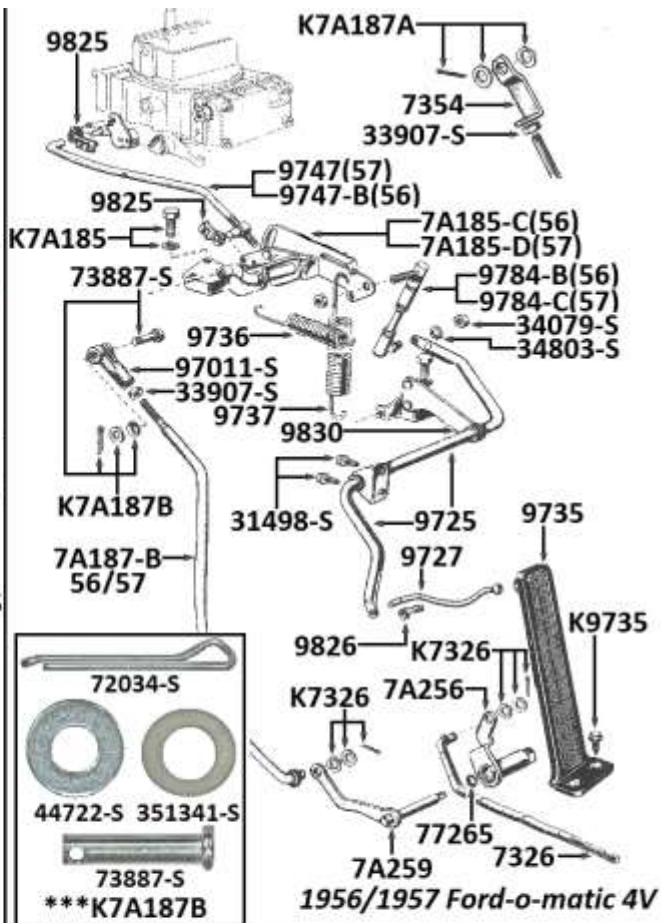
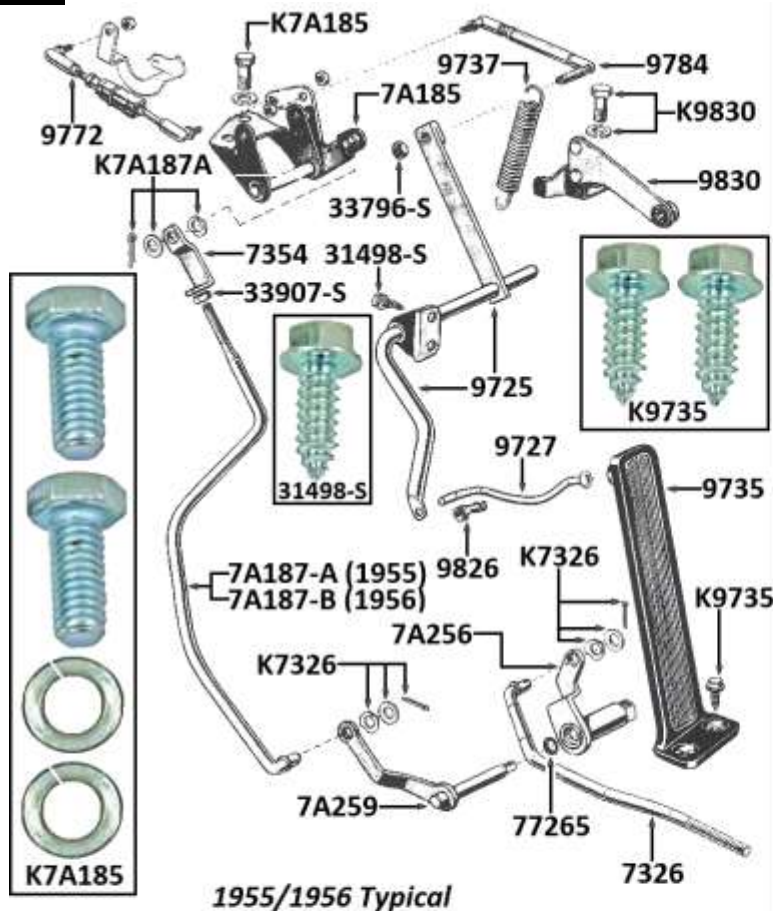


9A589-A	Spacer, Carburetor to Intake (57, 4V Aluminum)	59.95
9A589-B	Spacer, Carburetor to Intake (57, 2V)	Call
9A589-E	Spacer, Carburetor to Intake (57, Dual-4) (2-Required)	30.00
9A589-P	Spacer, Carburetor to Intake (57, Phenolic)	41.95
9592	Gasket, Bolt to Main Body (57 4BBL)	0.50
9634	Seal, Idle Adjusting Needle (57)	0.50



9655	Seal, Choke Air Inlet (57 Dual-4)	3.90
9937	Spring, Fuel Filter Screen in Carburetor	2.85
9938	Screen, Fuel Filter Screen in Carburetor (55/57)	5.50
31036-S8	Screw #6-32 x 5/16"	1.50

55/57 Thunderbird Accelerator Linkage and Related Parts - Typical



55/57 Thunderbird Carburetor Linkage and Related Parts

Also See Page 68

7A185	Bell Crank on Manifold	Page 64
K7A185	Kit, Accelerator Bell Crank to Intake Manifold.....	0.00
K7A187A	Kit Attaching (7A187-A) to (7A185-A & C)	0.00
K7A187B	Kit Attaching (7A187-B) to (7A185-D & E)	0.00
K7326	Kit, Fordomatic Shift & Kick Down Rods to Trans.....	0.00



7354	Clevis F/M Transmission Throttle Shift Rod.....	11.95
9724-E	Bell Crank Center (Dual-4).....	Call



9725-A	Bell Crank on Firewall All (55/56 with ST or O/D)	54.95
9725-B	Bell Crank on Firewall All (56/57 with F/M)	140.00
9725-D	Bell Crank on Firewall (57 with S/T).....	54.95
9725-EA	Bell Crank on Firewall (Dual-4) with Automatic Trans	Call
9725-ES	Bell Crank on Firewall (Dual-4) with Standard Trans.....	Call



9727	Rod Accelerator Pedal	7.85
9727-A	Cork Seal Accelerator Pedal	2.15



9735	Throttle Pedal (55/57).....	18.95
K9735	Kit, Accelerator Pedal to Floor and Firewall.....	0.80



9736	Spring, Throttle Kick Down F/M (55/57).....	5.90
9737-A	Spring, Throttle Return (55/56).....	5.95



9737-B	Spring, Throttle Return (57).....	6.30
--------	-----------------------------------	------



9737-C	Spring, Throttle Return (57 Dual-4).....	6.50
--------	--	------



9747	Rod, Carburetor to Bell Crank (57) with Fordomatic.....	11.40
------	---	-------



9747-B	Rod, Carburetor to Bell Crank (56)	11.40
--------	--	-------



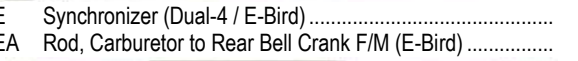
9747-C	Rod, Carburetor to Bell Crank (57) with Standard	Call
--------	--	------



9747-D	Rod, Carburetor to Bell Crank (57) with Overdrive	Call
--------	---	------



9747-E	Synchronizer (Dual-4 / E-Bird).....	Call
9747-EA	Rod, Carburetor to Rear Bell Crank F/M (E-Bird)	Call



9747-EOD	Rod, Carburetor to Bell Crank (E-Bird) with Overdrive	Call
----------	---	------



9747-ES	Rod, Carburetor to Bell Crank (E-Bird) with S/T	Call
---------	---	------



9747-Y	Yoke, Carburetor Linkage	9.95
--------	--------------------------------	------



9772-A	Rod, Accelerator (55) A/T-O/D.....	125.00
--------	------------------------------------	--------



9772-B	Rod, Accelerator (55) S/T	85.00
--------	---------------------------------	-------



9784-A	Link Between Dash & Engine Bell Crank (55) F/M	86.75
9784-B	Link Between Dash & Engine Bell Crank (56)	49.85
9784-C	Link Between Dash & Engine Bell Crank (57) F/M	82.70
9784-E	Link Adjustment Rod (Dual-4 / E-Bird).....	Call

9784-A	Link Between Dash & Engine Bell Crank (55) F/M	86.75
9784-B	Link Between Dash & Engine Bell Crank (56)	49.85
9784-C	Link Between Dash & Engine Bell Crank (57) F/M	82.70
9784-E	Link Adjustment Rod (Dual-4 / E-Bird).....	Call



9784-N	Nut, Adjustment Rod E-Bird	Call
9825	Clip, Clevis Rod RH	0.90
9826	Clip, Clevis Rod LH	0.90



9830	Bracket, Accelerator Linkage to Motor.....	69.00
K9830	Kit, Installs Bracket (9830) to Intake Manifold.....	1.20
31498-S	Screw, #14 x 5/8"	0.40
33907-S	Nut, Hexagon, 1/4" - 28, Use at (7A187) Kickdown Rod	0.30
33925-S	Nut, Hexagon, 3/8" - 24, Use at (7326/7339) Shift Rod	0.40
73887-S	Pin, F/M Kickdown Rod to Bell Crank.....	1.00
77265	Seal, Throttle Control Outer Lever (See 7B498 Kit)	N/A
97011-S	Clevis, Kickdown Rod (Also see 7354)	7.90

1955/1957 Thunderbird Air Cleaners and Related Parts



9600-55

- 9600-55 Air Cleaner, Looks like Original, but is Low Maintenance Dry Element Style, Cork Installed (55)..... 450.00
- 9600-56 Air Cleaner, Looks like Original, but is Low Maintenance Dry Element Style, Cork Installed (56)..... 450.00

"MADE IN THE USA" POLISHED STAINLESS LID



Cork Installed

9600-57

- 9600-57 Air Cleaner, Looks like Original (57) 450.00

"MADE IN THE USA" POLISHED STAINLESS LID



Stapled like the original
**POWDER COATED BASE ASSEMBLY
AIR CLEANER ELEMENT, CORK INSTALLED
WITH POWER STAPLER AS ORIGINAL**

ORIGINAL OIL BATH STYLE AIR CLEANER



- 9600-56R Air Cleaner Assembly, Oil Bath Style (55/56) 349.00

Chrome Lid

AIR FILTER ELEMENTS



9601-A

USE ON REPLACEMENT
55/56 AIR CLEANERS ONLY

- 9601-A Air Filter Replacement (55/56) for Repro Air Cleaners 15.99



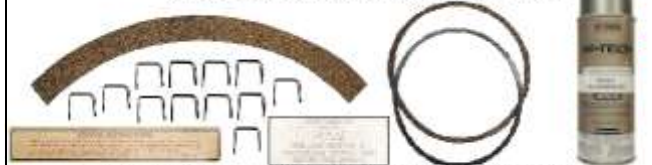
9601-B



9601-E

- 9601-B Air Filter (57)..... 14.99
- 9601-E Air Filter Element (E-Bird, Round)..... 59.95

AIR CLEANER OVERHAUL KIT



- Includes Everything needed to Restore your Air Cleaner
9600A Core Gasket, K900A Staple Kit, 9654, 9673 Gasket and Decal
- 9600-AK Air Cleaner Kit (55/56, Oil Bath) Argent Paint..... 36.95
 - 9600-BK Air Cleaner Kit (57, Dry Type) Argent Paint..... 46.95

AIR CLEANER LIDS - STAINLESS STEEL & CHROME



- 9600-B Air Cleaner Cover (55/56, Polished Stainless)..... 189.00
- 9600-C Air Cleaner Cover (57, Polished Stainless)..... 170.00
- 9600-CR Air Cleaner Cover (55/56, Chrome) 159.95
- 9600-DR Air Cleaner Cover (57, Chrome) 159.95

9600-A



K900A

- 9600-A Cork, Air Cleaner..... 5.95
- K900A Kit, Staples to Attach Cork to Air Cleaner 3.75



Chrome
358463-S



358464-S

- 358463-S Wingnut, Air Cleaner (55/56, 57 with Supercharger) 3.60
- 358464-S Wingnut, Air Cleaner (57)..... 3.90



9654-A
SHOWN

- 9654-A Gasket, Air Cleaner to Carburetor (55/56)..... 3.50
- 9654-B Gasket, Air Cleaner to Carburetor (57)..... 3.50



9600-D



9A659-B



9A659-A

- 9600-D Stud, Carburetor to Air Cleaner (57) 1.50
- 9A659-A Stud, Carburetor to Air Cleaner (55)..... 10.45
- 9A659-B Stud, Carburetor to Air Cleaner (56)..... 11.49

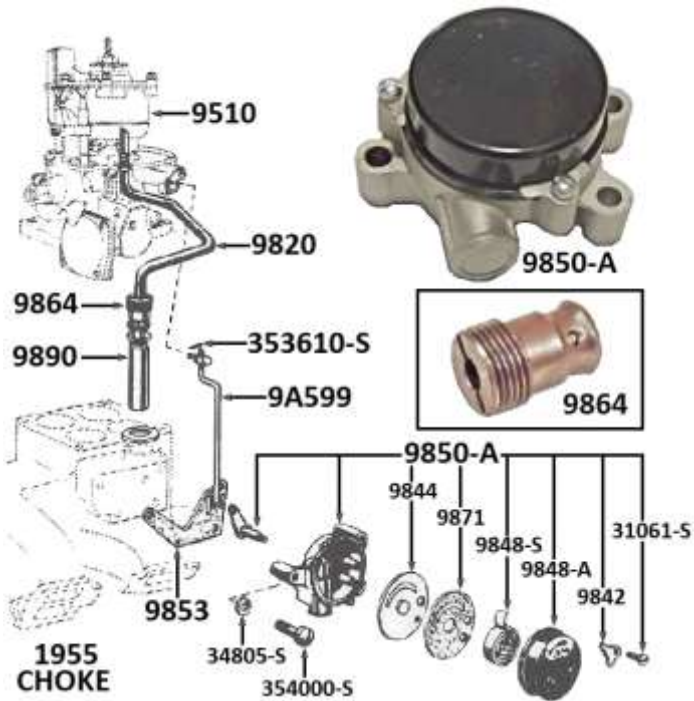
When installing these parts, Be sure to check the Clearance between the top of the stud and the Hood



9673

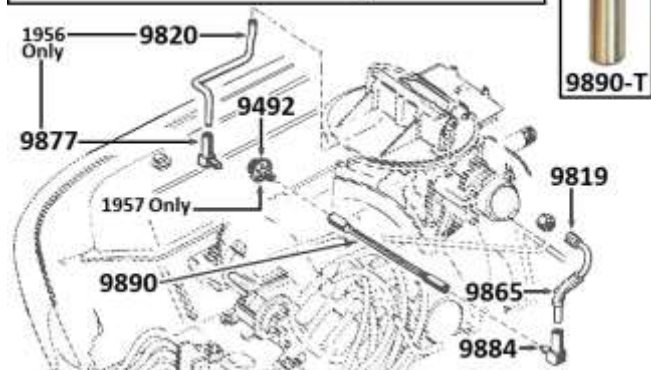
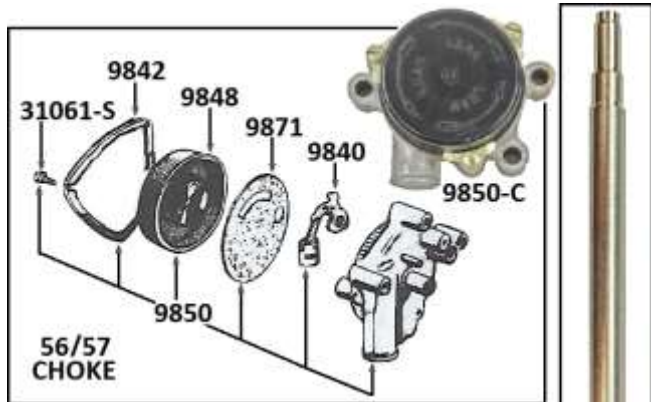
- 9673 Gasket, Inside Oil Bath Air Cleaner (55/56)..... 3.85

1955 Thunderbird Choke & Related Parts



	9A599	Rod, Automatic Choke (55).....	13.60
	353610-S	Clip, Choke Rod Attaching (55)	0.35
	9820-A	Auto Choke Intel Tube (55).....	17.95
	9820-ASS	Auto Choke Intel Tube (55, Stainless)	22.95
	9842-A	Retainer, Choke Cap (Used).....	Call
	9848-A	Choke Cap Only (Black).....	14.85
	9848-S	Spring Only, Choke Thermostat (55/57)	9.00
	9850-A	Choke Assembly (55).....	Call
	9853	Gasket, Choke Housing to Manifold (55)	1.85
	9871-A	Gasket, Choke Cap Housing	1.95
	9864	Nut, Choke Tube on (55) Intake.....	12.55
	9890-A	Auto Choke Heat Tube (55)	24.95
	31061-S	Screw, Choke Cap	0.80
	34805-S	Lockwasher 1/4".....	0.20
	354000-S	Bolt, Choke Housing to Intake Manifold.....	Call

1956/1957 Thunderbird Choke & Related Parts



	9492	Choke Deflector 57	9.95
	9819-A	Outlet Tube, Auto Choke Control (56)	8.95
	9819-ASS	Outlet Tube, Auto Choke Control (56, Stainless)	9.95
	9819-B	Outlet Tube, Auto Choke Control (57)	8.95
	9819-BSS	Outlet Tube, Auto Choke Control (57, Stainless)	10.95
	9819-E	Tube, Automatic Choke (57 Dual-4 PR)	13.95
	9819-ESS	Tube, Automatic Choke (57 Dual-4 PR Stainless)	17.95
	9820-B	Auto Choke Inlet Tube (56).....	17.95
	9820-BSS	Auto Choke Inlet Tube (56, Stainless).....	22.95
	9820-E	Tube, Automatic Choke (57 Dual-4 PR)	56.95
	9820-ESS	Tube, Automatic Choke (57 Dual-4 PR Stainless)	68.95
	9840-A	Piston & Link Choke (56, 57 E&F)	69.95
	9840-B	Piston & Link Choke (57)	Call
	9842	Retainer, Choke Cap (55/57, Used).....	Call
	9848-A	Choke Cap Only (Black) (56)	14.85
	9848-B	Choke Cap Only (Black) (57)	14.85
	9848-S	Spring Only, Choke Thermostat (55/57)	9.00
	9850-B	Choke Assembly (56).....	Call
	9850-C	Choke Assembly (57)	Call
	9861	Shield, Auto Choke (Supercharger)	10.95
	9865-A	Insulator, Auto Choke Tube (56).....	4.80
	9865-B	Insulator, Auto Choke Tube (57 4-BBL).....	5.95
	9865-C	Insulator, Auto Choke Tube (57 2-BBL).....	6.85
	9865-D	Insulator, Auto Choke Tube (Dual-4 57 PR)	9.95
	9871-A	Gasket, Choke Cap Housing (56).....	1.95
	9871-B	Gasket, Choke Cap (57)	1.95

AUTO CHOKE HEAT TUBE KIT

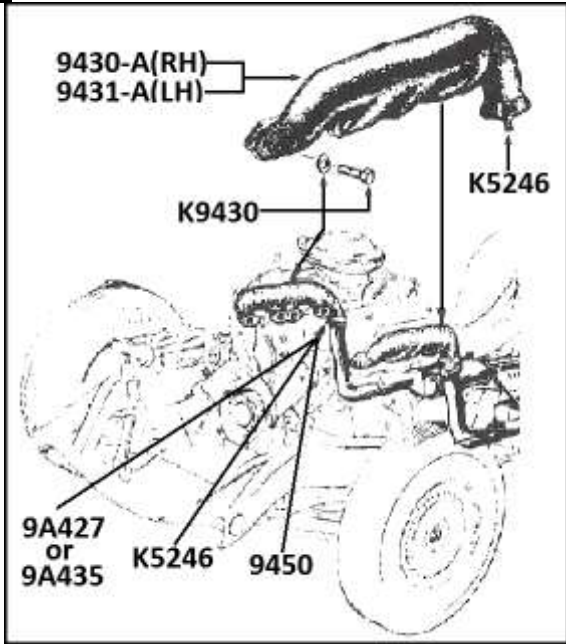
*As Required Per Application

Includes: Tubes, Insulators & Fittings
*9492-9819-9820-9865-9877-9884-9890

9890-AK	(56) Choke Heat Tube Kit	67.95
9890-AKS	(56) With (9819ASS & 9820BSS) Stainless Tubes	73.95
9890-BK	(57) Choke Heat Tube Kit, Uses (9492) Deflector	49.95
9890-BKS	(57) With (9819BSS) Stainless Tube	52.95

	9877	Elbow, Choke Tube Inlet, Brass (56)	10.95
	9884	Elbow, Choke Tube Outlet, Brass (56/57)	10.95
	9890-B	Auto Choke Heat Tube (56/57)	15.95
	9890-E	Heat Tube Choke Control (57 Dual-4)	15.95
	9890-T	Choke Tube Punch	17.00

1955/1957 Thunderbird Exhaust Manifolds & Related Parts



34673-S	Nut, Brass at Exhaust Manifold Studs	2.25
88413-S	Stud, Exhaust Manifold Downpipes LH Side	4.70
351385-S	Washer at Exhaust Manifold to Cylinder Head	0.40
353409-S	Stud, Exhaust Manifold Downpipes RH Side.....	4.90
357625-S	Lock washer at Exhaust Manifold Studs	0.25



9A427	Valve, Exhaust Heat Riser, Reproduction like Original.....	89.95
9A435	Spacer, Replaces Heat Riser Valve.....	20.95
9430-K	Gasket Set Exhaust Manifolds to Cylinder Heads.....	15.95



9435-K	Gasket Set, Exhaust Manifolds to Cylinder Heads and Inlet Pipes, Includes (1)9430-K and (3)9450 Gaskets)	23.95
--------	--	-------



9430-A	Exhaust Manifold RH (55/57, Repro) EDB-9430-A.....	279.00
9430-B	Exhaust Manifold RH (55/57, Used) ECH-9430-A.....	Call
9430-C	Exhaust Manifold RH (55/57, Used) EDB-9430-A.....	Call



9431-A	Exhaust Manifold LH (55/57, Repro) ECJ-9431-A.....	279.00
9431-B	Exhaust Manifold LH (55/57, Used) ECJ-9431-A.....	Call
9431-C	Exhaust Manifold LH (55/57, Used) ECJ-9431-C.....	Call



3-Required
2 at RH Side
1 at LH Side

9450	Gasket, Exhaust Manifold to Inlet Pipe.....	2.90
------	---	------



K5246	Kit, Intel Pipe to Manifold with Brass Nuts	28.95
-------	---	-------

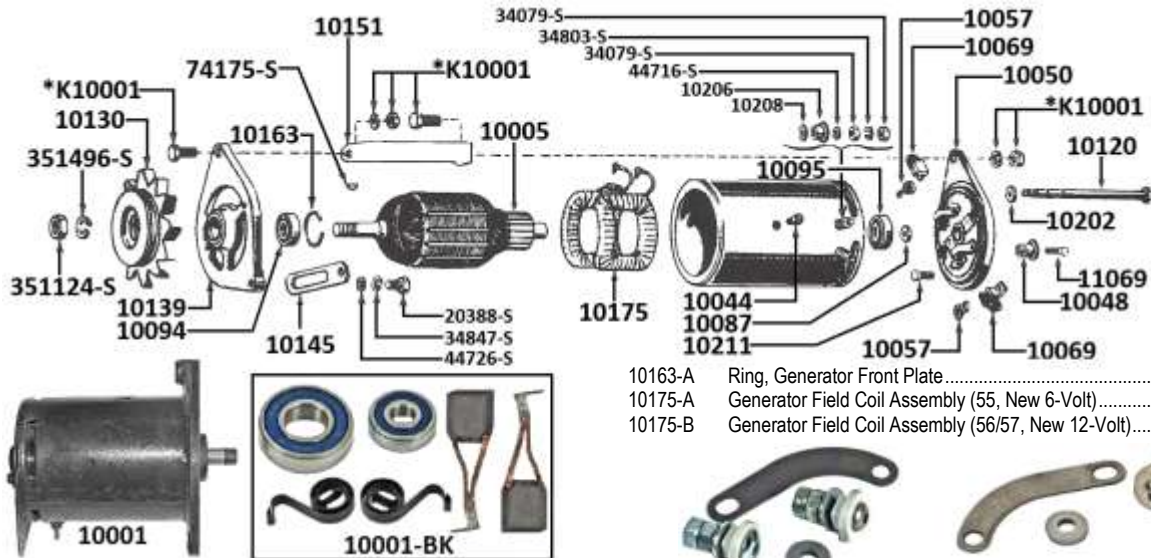


TECH INFO

The 1957 right hand exhaust manifold, original casting number was EDB-9430-A. The 1957 manifold was thicker than the 1955 and 1956 right hand manifold which had a casting number of ECH-9430-A. The left hand side exhaust manifold casting was ECJ-9431-A which is on the inboard side next to the cylinder head. At least two types of casting number configurations have been found. There was a later casting number ECJ-9431-C. All assembly line 1955/1956/1957 right hand exhaust manifolds were cast at the Cleveland Foundry.



K9430	Kit, Exhaust Manifolds (9430 & 9431) to Heads	5.80
-------	---	------



- 10163-A Ring, Generator Front Plate..... Call
- 10175-A Generator Field Coil Assembly (55, New 6-Volt)..... Call
- 10175-B Generator Field Coil Assembly (56/57, New 12-Volt)..... Call



- 10211-AC Kit to Convert Passenger Car Generator End Plate to T-Bird End Plate, Use with Cast End Plate..... 20.95
- 10211-AS Same as Above, Use with Stamped End Plate..... 20.95

- 10001-AR Generator (Rebuilt, 6-Volt)..... 209.95
- Core Deposit on (10001-AR)..... 100.00
- 10001-BR Generator (Rebuilt, 12-Volt)..... 209.95
- Core Deposit on (10001-BR)..... 100.00
- 10001-AK Generator Overhaul Kit (6-Volt) Includes:
(2) 10057 (1) 10069A (1) 10094 (1) 10095..... 44.95
- 10001-BK Generator Overhaul Kit (12-Volt) Includes:
(2) 10057 (1) 10069B (1) 10094 (1) 10095..... 44.95
- 10005 Armature (New, 12-Volt)..... Call
- 10044 Screw, Generator Pole Piece..... 4.85
- 10050 Plate Rear Generator..... Call



- 10057 Spring, Generator Brush..... Each 1.50
- 10069-A Brush Set, Generator (55, 6-Volt)..... 9.95
- 10069-B Brush Set, Generator (56/57, 12-Volt)..... 9.95



- 10094 Bearing, Generator Front or P/S Pump..... 10.20
- 10095 Bearing, Generator Rear..... 12.00
- 10120 Bolt, Generator & Starter Frame..... 3.00



- 10130-A Pulley, Generator (55/57, NOS)..... Call
- 10130-B Pulley, Generator (55/57, Used)..... Call
- 10130-R Pulley, Generator (Replacement)..... 137.20
- 10139 Generator Front Plate..... Call



- 10145 Arm, Generator Belt Adjusting..... 14.95



- 10151 Bracket, Generator Mount..... 44.95
- 10153 Bracket, Generator Stabilizer..... 8.50

ALTERNATOR CONVERSION KIT

All the Parts you need to convert your T-bird to a Alternator Set-up 12V

10346-AK Alternator Conversion Kit 12V..... 279.95

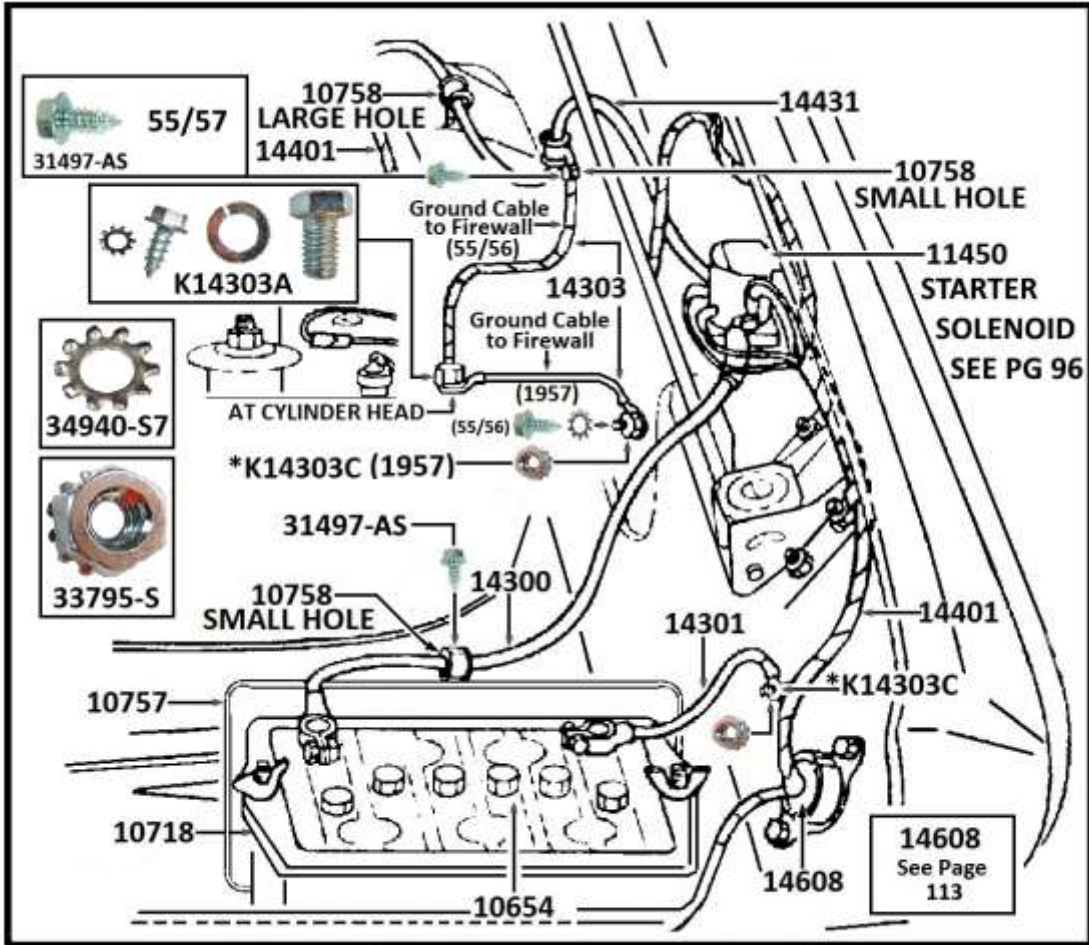


- 10505-A Voltage Regulator (55, 6-Volt)..... 99.95
- 10505-B Voltage Regulator (56/57, 12-Volt)..... 99.95
- K10505 Kit, Voltage Regulator to Apron..... 1.30



- K10001A Kit, Generator to Bracket (6-Volt)..... 3.00
- K10001B Kit, Generator to Bracket (12-Volt)..... 3.00
- 351124-S Nut, Generator Shaft to Pulley (Special)..... 1.50
- 351496-S Lock Washer, Generator Pulley (21/32" Special)..... Call

1955/1957 Thunderbird Battery Cable Brackets & Grommets



Note: 1955 use (1) 10758-AL & (1) 10758-AS 1956 use (1) 10758-AL & (2) 10758-AS 1957 use (1) 10758-BL & (2) 10758-BS



- 10758-AL Grommet & Bracket, Battery Cable Large Hole for Bell Housing (55/56) 8.95
- 10758-AS Same as Above with Small Hole (55/56) 8.95



10758-AG Same as Above Grommet Only (55/56) 5.00



- 10758-BL Grommet & Bracket, Battery Cable Large Hole for Bell Housing (57) 8.95
- 10758-BS Same as Above with Small Hole (57) 8.95



10758-BG Same as Above Grommet Only (57) 5.00

MASTER BATTERY SWITCH

Battery Master Switch disconnects all electrical circuits with a simple turn of the knob. Use with 6V or 12V Attaches to Battery in Minutes. Helps eliminates Battery Drain and Fires

10654-BD Battery Disconnect 9.95

BATTERY & STARTER CABLE KIT Includes: Brackets & Grommets		
10758-AK	Kit 1955 (1) 10758AL (1) 10758AS	17.50
10758-BK	Kit 1956 (1) 10758AL (2) 10758AS	26.10
10758-CK	Kit 1957 (1) 10758BL (2) 10758BS	26.10

1955/1957 Thunderbird Battery Cables, Brackets and Grommets

CABLE - BATTERY TO STARTER SOLENOID



14300-A Battery to Starter Solenoid (55, 6-Volt) 32.00



14300-B Battery to Starter Solenoid (56/57, 12-Volt) 20.00



14301-A Battery to Ground Cable (55, 6-Volt) 34.30
 14301-B Battery to Ground Cable (56, 12-Volt) 19.00



14301-C Battery to Ground Cable (57, 12-Volt) 17.00

GROUND STRAP - FIREWALL TO ENGINE



14303-A Engine Ground Wire (55/56) 9.35



14303-B Engine Ground Wire (57) 9.35



K14303B

K14303C

CABLE - STARTER TO STARTER SOLENOID



14431-A



14431-B

14431-A Cable, Starter to Starter Solenoid (55, 6-Volt) 32.00
 14431-B Cable, Starter to Starter Solenoid (56/57, 12-Volt) 19.00

BATTERY CABLE SETS

14300-AK Battery Cable Set (55, 6-Volt)	Includes: (1)14300A (1)14301A (1)14431A	95.30
14300-BK Battery Cable Set (56, 12-Volt)	Includes: (1)14300B (1)14301B (1)14431B	55.00
14300-CK Battery Cable Set (57, 12-Volt)	Includes: (1)14300B (1)14301C (1)14431B	55.00

Kit does not include the 14303 Ground Strap

CONCOURSE CORRECT BATTERY CABLE SETS

Includes: Battery Cable to Solenoid, Battery Ground Cable Starter to Starter Solenoid Cable
DOES NOT Include 14303 Ground Strap



14300-D Battery Cable Set (56) 79.95
 14300-E Battery Cable Set (57) 79.95

ENGINE GROUND STRAP - CONCOURSE CORRECT



14303-D



14303-E

14303-B Engine Ground Cable to Firewall (56) 17.50
 14303-C Engine Ground Cable to Firewall (57) 17.50



31497-AS



34940-S7



33795-S

31497-AS Screw, Battery Cable Grommets (55/57) and Ground Cable to Firewall (55/56) 0.40
 33795-S Nut, Ground Strap, Ground Cable to Firewall (57) 0.30
 34940-S7 Washer External Lock, 1/4", Use with (31497-AS) 0.20

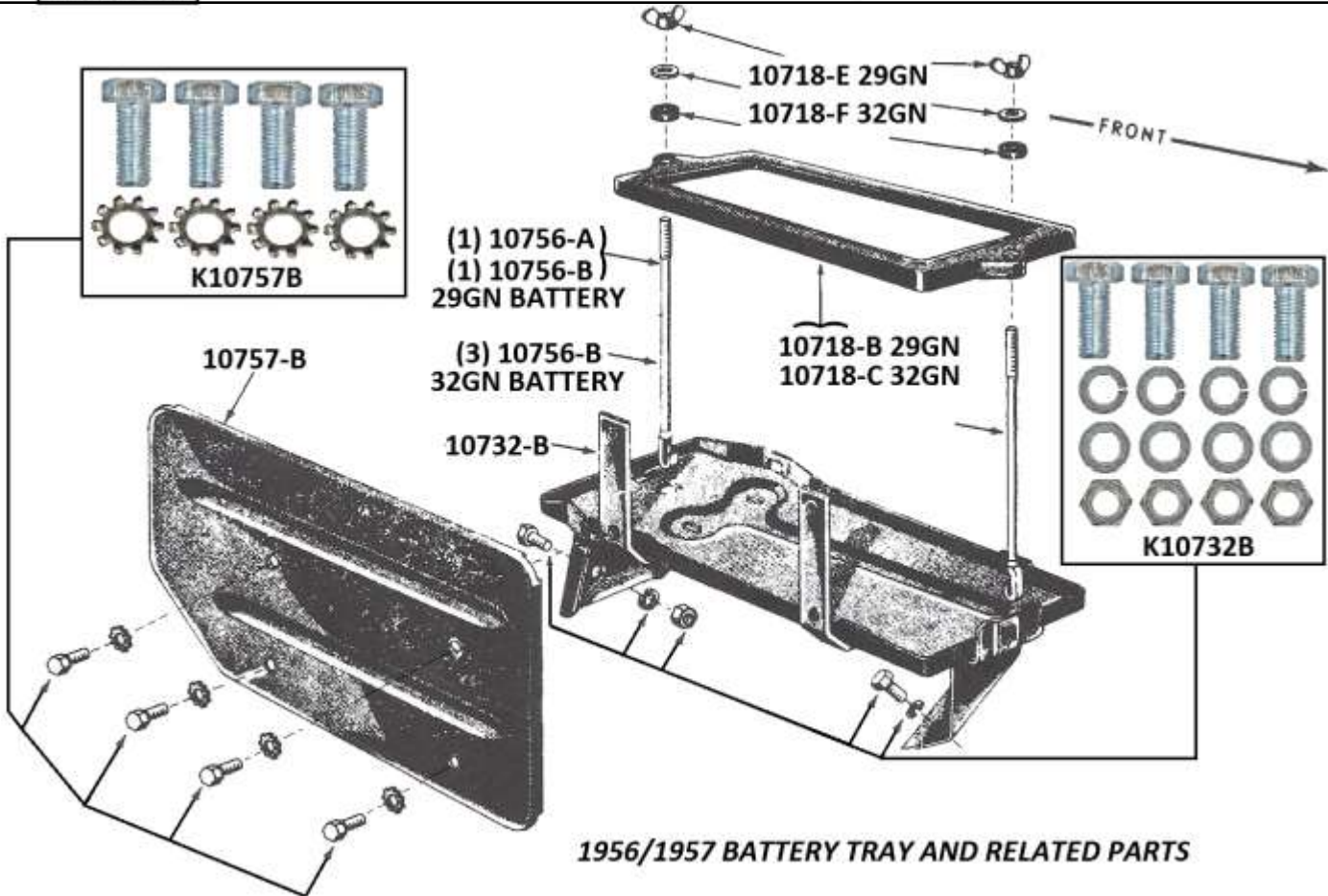
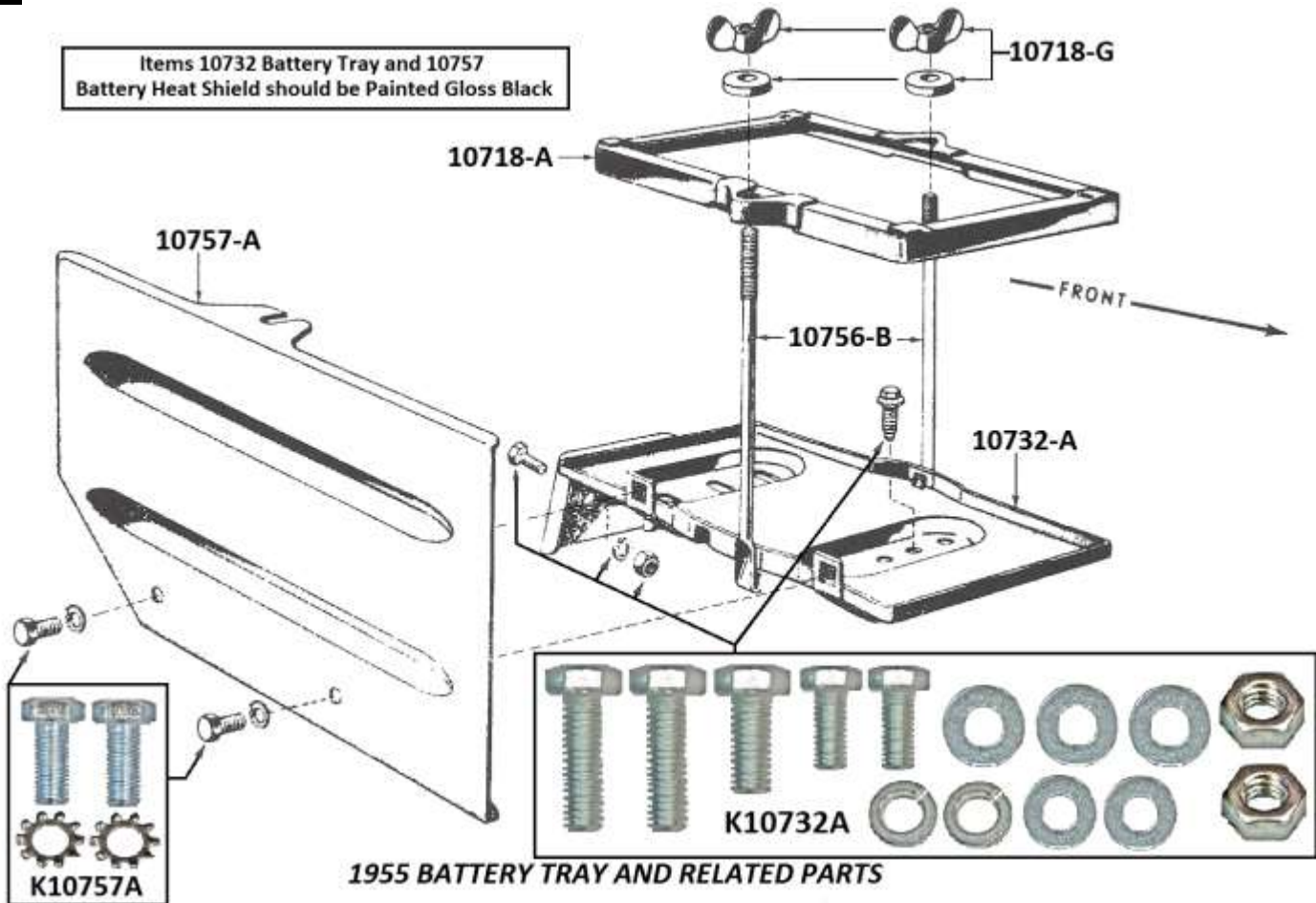


K14303A

K14303A Kit, Ground Straps Engine to Firewall (55/56) 1.10
 K14303B Kit, Ground Straps Engine to Firewall (57) 1.20
 K14303C Kit, Ground Strap at Firewall and Battery Ground Cable to Firewall 0.60

1955/1957 Thunderbird Battery Tray and Related Parts - Illustration

Items 10732 Battery Tray and 10757 Battery Heat Shield should be Painted Gloss Black





10654



10655-A

- 10654-A Battery, 6-Volt Orig Script
 - 10654-B Battery, 12-Volt, 29 Group
 - 10654-C Battery, 12-Volt, 32 Group
 - 10654-D Battery, 12-Volt, Group 29 Replacement
- Call Jim's Battery
800-426-7580**
- *Local Pickup Only..... 159.95
- 10655-A Battery Corrosion Resistors, Felt, Package of 2..... 3.00



10719



10720

- 10719 Bracket, Angle Battery Hold-down to Apron (55)..... 6.85
- 10720 Bracket, Battery Support (55) Welds to Inner Fender (Used)..... Call

BATTERY HOLD DOWN KIT

Includes hold down clamp, bolts, wing-nuts & washers



10718-A

10718-AK

- 10718-A Clamp, Battery Hold Down (55) 14.50
- 10718-AK Battery Hold Down Kit (55, 6-Volt)..... 27.70



- 10732-A Battery Tray, 6-Volt (55)..... 76.25



- 10732-B Battery Tray, 12-Volt (56/57)..... 76.25



10718-B

10718-BK

- 10718-B Clamp, Battery Hold Down (56/57) 2-Hole 29G 22.50
- 10718-BK Battery Hold Down Kit (56/57) 12V, 29G 34.90



10718-C

10718-CK

- 10718-C Clamp, HD Battery Hold Down (56/57) 3-Hole 32G..... 36.50
- 10718-CK Heavy Duty Battery Hold Down Kit (56/57) 12V, 32G..... 55.70



10718-E (SHOWN)

- 10718-E Kit, Battery Clamp. Includes: 2-Ea Wing-Nut Correct Size, Rubber Grommets & Washers..... 3.50
- 10718-F Kit, Same as (10718-E) except with 3-Each 5.35
- 10718-G Kit, Same as (10718-E) except with Forged Wing-Nuts 4.30

BATTERY TRAY KIT

Includes: 10718 Battery Clamp, 10718 Wing-Nut kit, 10732 Battery Tray, 10756 Battery Bolts & 10757 Battery Shield

- 10732-AK 55, Use with G2N Battery..... 139.95
- 10732-BK 56/57, Use with G29N Battery..... 0.00
- 10732-CK 56/57, Use with G32N Battery..... 0.00

BATTERY BOLTS

Tech Tip: These items should be Cadmium Plated

Notes: 55 G2N use (2) 10756-B

56/57 G29N use (1) 10756-A & (1) 10756-B

56/57 Heavy Duty G32N use (3) 10756-B

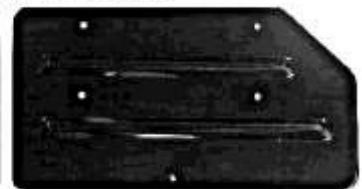
Bolt, Battery Clamp, Plated, Correct Length & Shape

- 10756-A Bolt, Battery Clamp, Long 10"..... 4.95
- 10756-B Bolt, Battery Clamp, Short 9"..... 4.95

BATTERY HEAT SHIELD



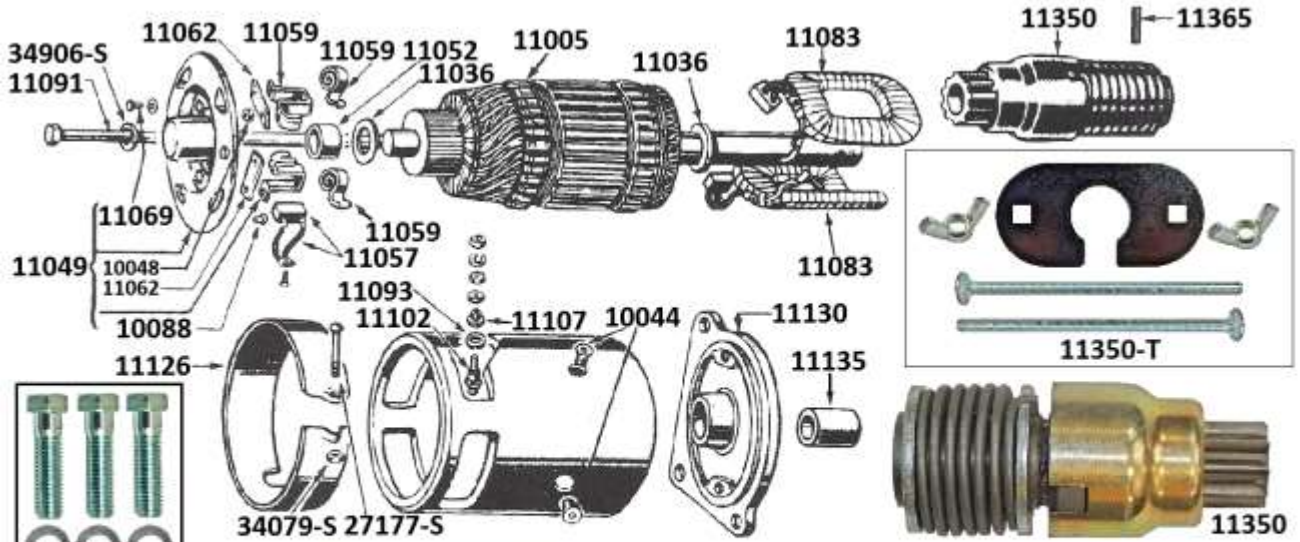
10757-A



10757-B

- 10757-A Battery Heat Shield, Steel (55)..... 36.25
- 10757-B Battery Heat Shield, Steel (56/57)..... 44.50
- K10732A Kit, Battery Box to Apron Firewall (55)..... 2.60
- K10732B Kit, Battery Support to Apron (56/57)..... 5.65
- K10757A Kit, Battery Heat Shield, Steel (55)..... 1.60
- K10757B Kit, Battery Heat Shield, Steel (56/57)..... 1.60

1955/1957 Thunderbird Starter, Starter Drive, Starter Switch and Related Parts



11350	Starter Drive.....	79.95
11350-T	Starter Drive Installation Tool.....	24.95
11365	Pin, Starter Drive Pinion.....	Call

11002-AN	Starter, Brand New (55, 6-Volt) No Core.....	219.95
11002-BN	Starter, Brand New (56/57, 12-Volt) No Core.....	219.95
11002-A	Starter, Remanufactured (55, 6-Volt).....	159.95
11002-B	Starter, Remanufactured (56/57, 12-Volt).....	139.95
	Core Deposit on 11002-A & 11002-B.....	50.00
K11002	Kit, Starter Install.....	2.00



11450-A	Solenoid, Starter (55, Replacement, 6-Volt).....	29.95
11450-B	Solenoid, Starter (55, 6-Volt, Metal Can).....	47.95
11450-C	Solenoid, Starter (56/57, 12-Volt, Brown).....	39.95
11450-D	Solenoid, Starter (56/57, 12-Volt, Black).....	34.95
11450-M	Solenoid, Starter (12-Volt, Motorcraft).....	52.95
356640-S	Clip, Wiring at Starter Solenoid.....	1.50



11002-C	Starter, 12-Volt High Torque 1.4KW, 100% Bolt On Eliminates Bendix Drive for Smooth Starts (New).....	179.95
6436	Starter Seal, Original Type.....	13.50

14302-C	Wire, Starter Solenoid to Resistor 12-Volt Conversion.....	9.45
---------	--	------



11572-A	Ignition Switch with Correct Studs.....	24.95
11580	Dash Bezel Inner Ignition Switch.....	19.95

STARTER OVERHAUL KIT

11002-K Starter overhaul Kit, 6 or 12 Volt..... 21.95
Includes: (2) 11036 (1) 11052 (1) 11057 (1) 11059 (1) 11135

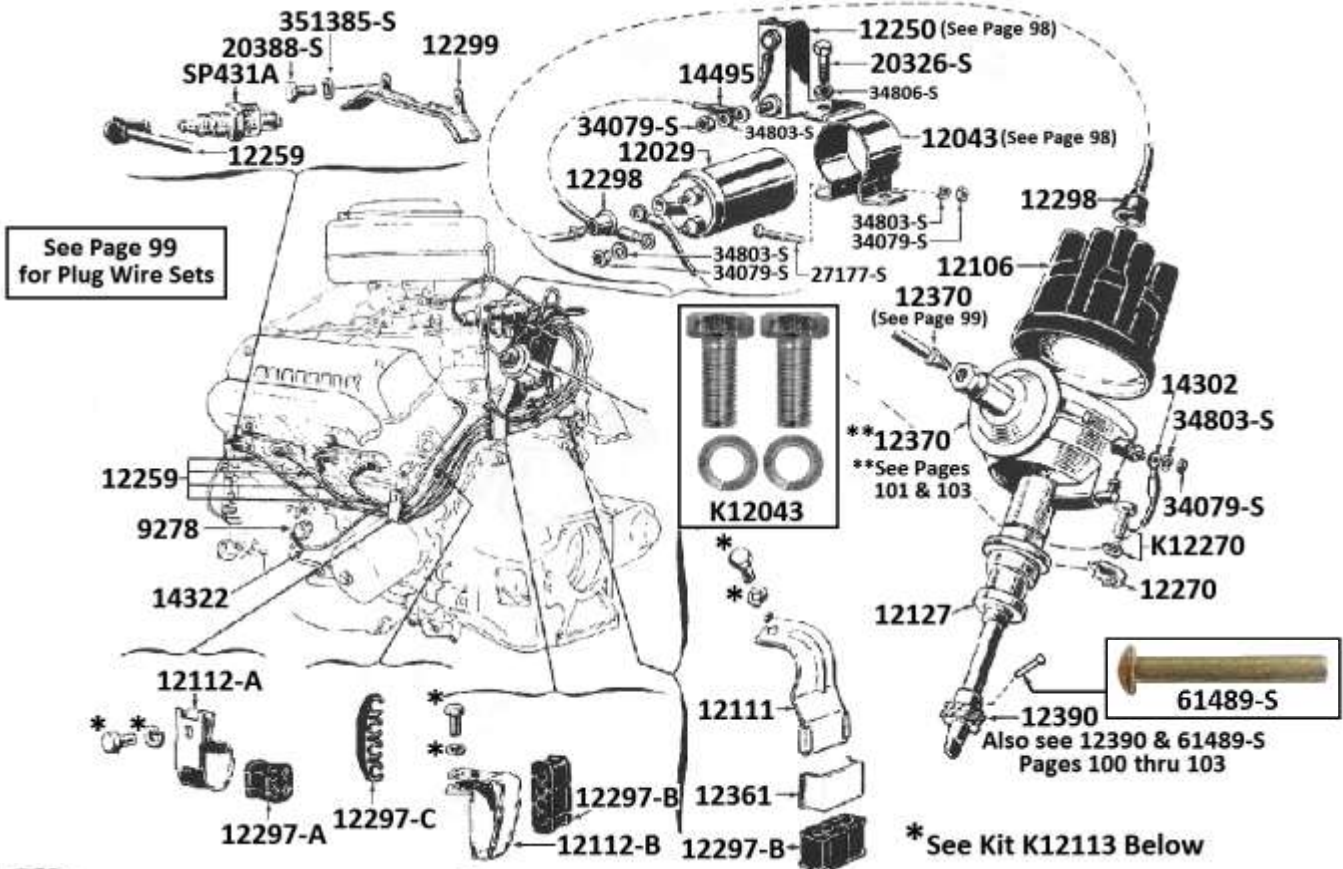
11005	Starter Armature.....	Call
11036	Washer, Starter Armature Thrust.....	1.00
11049	Plate Assembly, Starter Front (Used Original).....	Call
11052	Bushing, Starter Front End Plate.....	1.90
11057	Brush Set, Starter (4-Brushes).....	10.85
11059	Spring, Starter Brush.....	1.00
11083-A	Field Coil for Starter (New, 6-Volt).....	Call
11083-B	Field Coil for Starter (New, 12-Volt).....	Call
11107	Bushing, Starter Field Terminal.....	2.00
11126	Starter Cover and Attaching Parts.....	6.45
11130	Plate, Starter Rear.....	Call
11135	Bushing, Starter Rear End Plate.....	4.35



11581	Spring, Ignition Switch.....	3.00
11582	Cylinder & Keys, Ignition Switch Lock.....	19.95



11585	Retainer Nut, Ignition Switch.....	14.95
22053	Key Blank, Ignition Switch and Door.....	3.00



	12111	
	12112-A	
12111	Bracket, Ignition Cable 4-Holes In-Line Bracket Base	4.65
12112-A	Bracket, Ignition Cable (55/57) Use with Square Type Grommet	3.50
	12112-B	
	12361	
12112-B	Bracket, Ignition Cable (55/57) Use with 4-Hole In-Line Grommet	3.50
12361	Bracket Clamp Ignition Cable.....	3.85
	12297-A	
	12297-B	
12297-A	Grommet, Ignition Cable Square.....	2.75
12297-B	Grommet, Ignition Cable 4-Hole In-Line (4 Used on 55) (2 Used on 56/57).....	2.75
	12297-C	
12297-C	Separator, Plug Wires (56/57).....	1.00
	18954	
18954	Band, Aluminum, Used around (12297-B) Grommets On 55 and Early 56's (2 Required).....	2.65

IGNITION CABLE BRACKET & GROMMET KITS

	12113-KA	
	12113-KB	
12113-KA	Includes: (1) 12111 (2) 12112A (1) 12112-B (2) 12297A (4) 12297B (1) 12361 (2) 18954 (1955).....	39.00
12113-KB	Includes: (1) 12111 (2) 12112A (1) 12112-B (2) 12297A (2) 12297B (2) 12297C (1) 12361 (56/57).....	36.00

	K12113	
20326-S	Bolt, Coil Bracket to Engine, 5/16"-18 x 5/8".....	0.40
20388-S	Bolt, 3/8"-16 x 1".....	0.90
34079-S	Nut, Hexagon, #10-32.....	0.20
34803-S	Lock Washer, #10.....	0.15
34806-S	Lock Washer, 5/16".....	0.20
351385-S	Washer, Intake & Exhaust Manifolds.....	0.40

1955/1957 Thunderbird Ignition, Spark Plugs, Coils & Resistors



SP431X Spark Plugs, Motorcraft..... Each 3.29

IGNITION TUNE-UP KIT

Kit contains points, condenser, rotor, Distributor cap, and (8) spark Plugs



SP431X SPARK PLUGS

12000-A Ignition Tune-Up Kit, (55/56)..... 94.95



SP431X SPARK PLUGS

12000-B Ignition Tune-Up Kit, (57)..... 85.95



12000-AK Kit, Points, Rotor and Condenser (55/56)..... 49.95



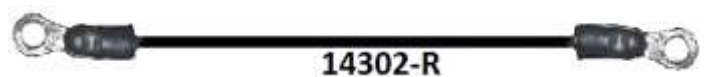
12000-BK Kit, Points, Rotor and Condenser (57)..... 43.95



12250 Coil Resistor like Original..... 24.95



14302-C Wire, Starter Solenoid to Resistor, 12-Volt Conversion..... 9.90



14302-R Wire, Coil to Distributor..... 8.65



14495-R Wire, Coil to Resistor..... 8.45

14495-ER Wire, Coil to Resistor (E-Bird)..... 8.45



12029-A Coil Ignition (55, 6-Volt) without Decal..... 49.95

12029-B Coil Ignition (56/57, 12-Volt) Black without Decal..... 51.95

12029-C Coil Ignition (56/57, 12-Volt) Yellow Top without Decal..... 49.95

12029-PB Coil Pertronix (Black, 12-Volt)..... 59.95

12029-PC Coil Pertronix (Chrome, 12-Volt)..... 64.95

IGNITION PARTS-ELECTRONIC IGNITER



12000-AE Electronic Igniter (55/56, 12-Volt)..... 129.00

12000-BE Electronic Igniter (57, 12-Volt)..... 119.00



12043 Coil Mounting Strap (56/57)..... 29.95



12043-A Coil Mounting Strap (55)..... 12.85

K12043 Kit, Coil Bracket to Manifold..... 2.40

Electronic Tach Drive Distributor

Distributor comes with different springs to adjust the advance, you can adjust or eliminate the vacuum advance. This system requires the use of a high voltage coil and premium spark plug wires. Cannot be used on 55/56 style carburetor systems



12127-ER

See Premium Spark Plug Wires

- 12127-ER Electronic Replacement Distributor 349.00
- 12029-PB Coil, High Voltage (12V, Black) 59.95
- 12029-PC Coil, High Voltage (12V, Chrome) 64.95

SPARK PLUG WIRE SETS

Spark Plug Wire Sets are Authentic Reproductions They are complete with brown coil wire with proper part number stamped, tin coated copper stranded wire like original. FOMOCO Oval on the Spark Plug Boots, at the Distributor and Coil, and 12110-A conduit.



Spark Plug Wires Only

- 12259-A Plug Wires Only (55, 56 & Early 57) 74.95
- 12259-B Plug Wires Only (Late 57's Small Data Plate) 74.95

NEW PREMIUM IGNITION WIRES

Radio resistance ignition wire set. These wires are concourse correct.

All silicone rubber construction with a fine, wire wrapped, resistive mag-core. Better heat resistance to petroleum products, better pliability in cold weather. Designed to be used with hotter coils and computer ignition, and no radio interference.

- 12259-AP Plug Wires Only (55, 56 & Early 57) 88.95
- 12259-BP Plug Wires Only (Late 57's Small Data Plate) 88.95

SPARK PLUG WIRE SETS



Has Grommets and Brackets Already Installed

- 12259-AK Spark Plug Wire Set (55) 139.95
- 12259-APK Spark Plug Wire Set (55, Premium Wires) 163.95
- 12259-BK Spark Plug Wire Set (56/57) 139.95
- 12259-BPK Spark Plug Wire Set (56/57, Premium Wires) 153.95



12298

- 12298 Coil Wire Brown with Boots Comes in (12259-A & B) Plug Wire Sets 20.95

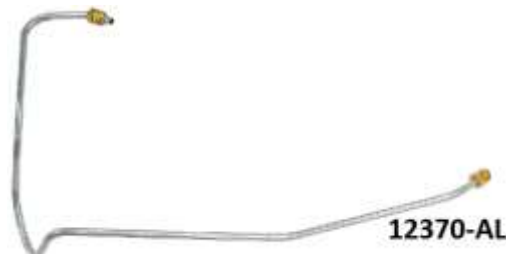


4-Require Per Car

Spark Plug Shields are Bright Plated Like Original
Tech Tip: This item should be Cadmium Plated

- 12299 Shield, Spark Plug Wires Bright Plated (Need 4/Car) 4.95

VACUUM ADVANCE LINES



12370-AL

- 12370-AL Vacuum Advance Line with Fitting (55) 15.95
- 12370-ALSS Same as Above with Stainless Steel Line 20.95



12370-BL

- 12370-BL Vacuum Advance Line with Fitting Two Lines (56) 31.95
- 12370-BLSS Same as Above with Stainless Steel Lines 41.95



12370-CL

- 12370-CL Vacuum Advance Line with Fitting (57) 20.95
- 12370-CLSS Same as Above with Stainless Steel Line 29.95

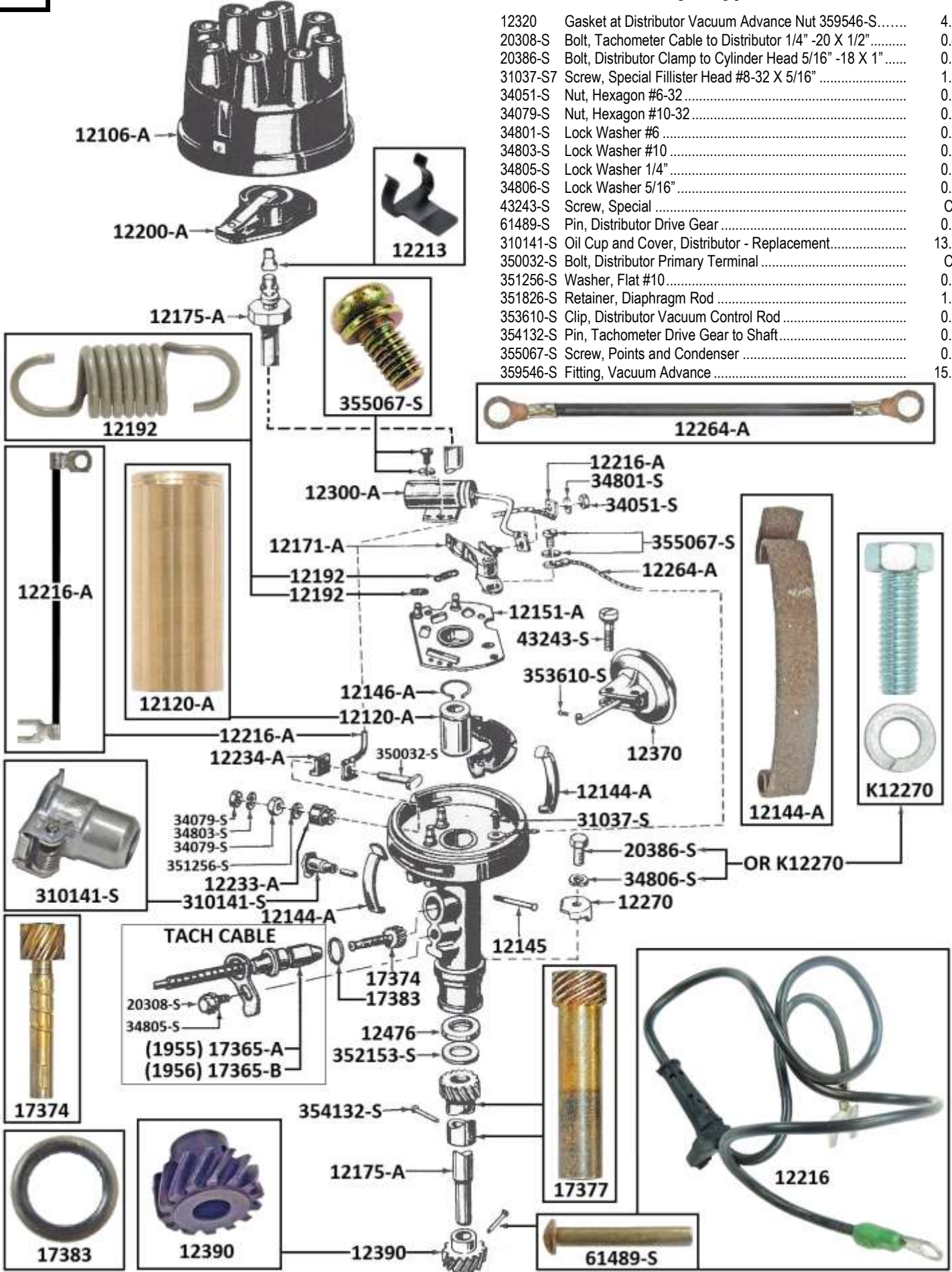


12370-EL

111300

- 12370-EL Vacuum Advance Line (57 Dual-4) 12.95
- 12370-ELSS Same as Above with Stainless Steel Line 17.95
- 111300 Fitting Nut, use on (12370) Vacuum Advance Lines 3.65

1955/1956 Thunderbird Distributor Assembly - Typical



12320	Gasket at Distributor Vacuum Advance Nut 359546-S.....	4.85
20308-S	Bolt, Tachometer Cable to Distributor 1/4" -20 X 1/2".....	0.40
20386-S	Bolt, Distributor Clamp to Cylinder Head 5/16" -18 X 1".....	0.80
31037-S7	Screw, Special Fillister Head #8-32 X 5/16".....	1.30
34051-S	Nut, Hexagon #6-32.....	0.15
34079-S	Nut, Hexagon #10-32.....	0.20
34801-S	Lock Washer #6.....	0.15
34803-S	Lock Washer #10.....	0.20
34805-S	Lock Washer 1/4".....	0.20
34806-S	Lock Washer 5/16".....	0.20
43243-S	Screw, Special.....	Call
61489-S	Pin, Distributor Drive Gear.....	0.75
310141-S	Oil Cup and Cover, Distributor - Replacement.....	13.85
350032-S	Bolt, Distributor Primary Terminal.....	Call
351256-S	Washer, Flat #10.....	0.10
351826-S	Retainer, Diaphragm Rod.....	1.00
353610-S	Clip, Distributor Vacuum Control Rod.....	0.50
354132-S	Pin, Tachometer Drive Gear to Shaft.....	0.90
355067-S	Screw, Points and Condenser.....	0.60
359546-S	Fitting, Vacuum Advance.....	15.00

1955/1956 Thunderbird Distributor & Related Parts



FIRING ORDER
1-5-4-8-6-3-7-2

Note: Cylinders are Numbered Front to Rear
Right Bank: 1-2-3-4 Left Bank: 5-6-7-8

Initial Timing
3 Degree B.T.D.C. with S/T and O/D
6 Degree B.T.D.C. with Automatic

12106-A

- 12106-A Distributor Cap (55/56) 21.95
- 12120-A Bushing, Distributor Shaft..... 16.85



12120-T

- 12120-T Bushing Remover Tool, Distributor Shaft 29.85

Distributor I.D. Numbers on side of Distributor
1955 FEA12127E or FEA12127F
1956 FEF12127B



12127-A (SHOWN)

- 12127-A Distributor Assembly (55) FEA-12127-E or F Call
- 12127-B Distributor Assembly (56) FEF-12127-B..... Call
- 12144-A Clamp Distributor Cap NLA
- 12145 Rivet Terminal Hold-Down Clamp NLA
- 12146-A Snap Ring Distributor Breaker Plate..... NLA



12151-A



12171-A

- 12151-A Breaker Plate Call
- 12171-A Point Set (55/56)..... 19.95
- 12175-A Shaft Distributor NLA



12191



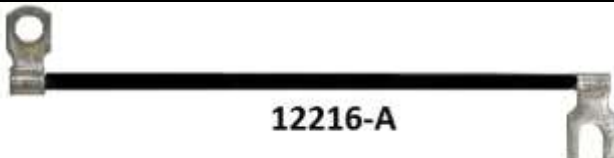
12200-A



12213

- 12192-AK Spring Distributor Weight (55/56, Pair)..... 9.85
- 12192-A Spring Distributor Weight (55/56, 7RA12192A)..... Call
- 12192-B Spring Distributor Diaphragm (A8TZ12192A)..... Call
- 12200-A Rotor Button Distributor 14.85
- 12213 Retainer Rotor Button..... 4.50

12216 Wire Distributor Primary Terminal Replacement
Eliminates Troublesome Bolt Connection
See Page 100 for Picture (Limited Quantities) 25.00



12216-A

- 12216-A Wire Distributor Primary Terminal 3.45



12264-A

- 12264-A Wire Point Ground 3.65



12233-A

- 12233-A Bushing Outer Distributor Primary..... NLA
- 12234-A Washer inner Primary Terminal..... 3.80



12234-A



12270

- 12270 Clamp Distributor Hold-Down Call
- K12270 Kit, Distributor Clamp Hold-Down 1.60
- 12300-A Condenser 15.65



12300-A



12370-SR5



12370-SR56

- 12370-A Diaphragm Distributor Vacuum Control (55, NOS)..... Call
- 12370-SR5 Diaphragm Distributor Vacuum Control (55, Rebuilt) 120.00
- Core Charge on (12370-SR5)..... 100.00
- 12370-B Diaphragm Distributor Vacuum Control (56, NOS)..... Call
- 12370-SR56 Diaphragm Distributor Vacuum Control (56, Rebuilt) 165.00
- Core Charge on (12370-SR56)..... 100.00



12390



61489-S



12476

- 12390 Gear Distributor Driven 75.00
- 61489-S Pin Distributor Driven Gear..... 0.75
- 12476 Seal Distributor Shaft..... 12.00



17365-A



17365-B

- 17365-A Cable Tachometer (55)..... 65.00
- 17365-B Cable Tachometer (56)..... 65.00
- 17374 Gear Tachometer Driven 38.00
- 17377 Gear Tachometer Driving Call
- 17383 O-Ring Seal Tachometer Cable..... 1.20

1957 Thunderbird Distributor and Related Parts



FIRING ORDER 1-5-4-8-6-3-7-2

Note: Cylinders are Numbered Front to Rear
Right Bank: 1-2-3-4 Left Bank: 5-6-7-8

Initial Timing
3 Degree B.T.D.C. with S/T and O/D
6 Degree B.T.D.C. with Automatic

12106-B

- 12106-B Distributor Cap 19.95
- 12120-B Bushing Distributor Shaft 16.85



12120-T

- 12120-T Bushing Remover Tool, Distributor Shaft 29.85



1957 Distributor I.D. Numbers
on side of Distributor
4V FEJ12127A
Dual-4 FEJ12127B
S/C FEJ12127D

12127-D

- 12127-D Distributor Assembly FEJ-12127-A 4V Call
- 12127-E Distributor Assembly FEJ-12127-B Dual-4 Call
- 12127-F Distributor Assembly FEJ-12127-D Supercharger Call
- 12127-DR Distributor Assembly (57, Replacement Clone) NLA
- 12144-B Clamp Distributor Cap Call
- 12145 Rivet Terminal Hold-Down Clamp NLA
- 12146-B Snap Ring Distributor Breaker Plate NLA
- 12151-B Breaker Plate (57 4V) Call



12171-B



12177



12179

- 12171-B Point Set (4V) 19.95
- 12171-C Point Set (Dual Points Set) 39.95
- 12171-D Point Set Ford-Motorcraft B8Q12171A (Limited Qty) 30.00
- 12175-B Shaft Distributor Call
- 12177 Cam Retainer 6.00
- 12179 Washer Distributor Driven Gear Thrust 5.00



12188



12191-A



12192-A

- 12188 Weight Assembly 18.00
- 12191-A Spring Dist Weight Secondary (4V) B7A12191A Call
- 12191-B Spring Dist Weight Secondary (Dual-4) B7A12191B Call
- 12191-D Spring Dist Weight Secondary (S/C) B7A12191D Call
- 12192-C Spring Dist Weight Primary (4V, Dual-4, S/C) B7A12192A Call
- 12192-D Spring Dist Weight Diaphragm (4V) B7AZ12192A Call
- 12192-E Spring Dist Weight Diaphragm (Dual-4)(S/C) B7AZ12192B Call



12200-B



12202-A

- 12200-B Rotor Distributor 9.95
- 12202-A Stop Distributor Advance (57 4V, S/C) 4.00
- 12202-B Stop Distributor Advance (57 Dual-4, S/C) 4.00

- 12210 Cam Assembly Distributor Call
- 12216 Wire Distributor Primary Terminal Replacement
Eliminated Troublesome Bolt Connection
See Page 100 for Picture of 12216 (Limited Quantities). 25.00
- 12216-B Wire Distributor Primary Terminal 3.50
- 12230 Screw Points and Condenser 0.80

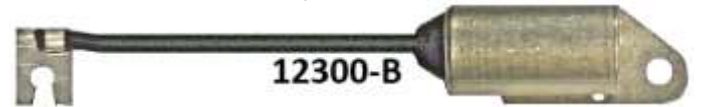


12234-A



12270

- 12233-B Bushing Outer Primary Terminal Call
- 12234-A Washer Inner Primary Terminal 3.80
- 12264-B Wire Point Ground 3.50
- 12270 Clamp Distributor to Cylinder Head Call



12300-B

- 12300-B Condenser Distributor 14.35
- 12300-C Condenser Distributor Ford Motorcraft B7A12300C 16.85



12370-C

All Exchange Cores
must be Like for Like
to receive Core Credit

- 12370-C Diaphragm Distributor Vacuum New 90.00
- 12370-CR Diaphragm Distributor Vacuum Rebuilt 70.00
- Core Charge 50.00



12390



12476



310141-S

- 12390 Gear Distributor 75.00
- 12476 Seal Oil Distributor Shaft 12.00
- 310141-S Oil Cup and Cover—Distributor - Replacement 13.85



17365-B



17374

- 17365-B Cable Tachometer 65.00
- 17374 Gear Tachometer Driven 38.00



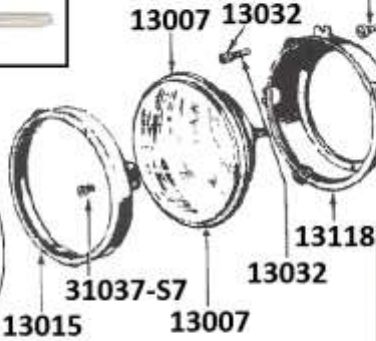
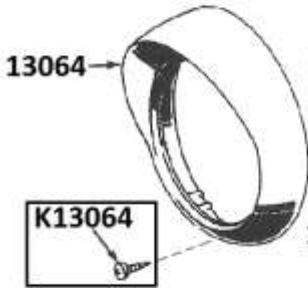
17377



17383

- 17377 Gear Tachometer Driving Call
- 17383 O-Ring Seal Tachometer Cable 1.20

1955/1957 Thunderbird Headlight Assembly and Related Parts



13007	Headlight Bulb (Originals).....	Call
13007-A	Headlight (6V).....	22.90
13007-B	Headlight (12V).....	19.50
13008-A	Retainer Clip for H/L Door Lower	7.90

13044	Gasket, Headlamp Bucket to Fender.....	3.90
13063-A	Trim, Fairlane Eyebrow (55).....	Each 79.00



13008	Headlamp Bucket (NoS or Used).....	Call
K13008	Kit, Headlamp Buckets to Fenders	4.80
13008-H	Headlamp Bucket Outer Housing Only	Call
13008-T	Retainer Clip for Headlamp, Attaches to Top of Headlamp Bucket with Pop Rivets (Included)	9.95
13015	Ring, Headlamp Retaining (See 31037-S)	19.95
13031-A	Spring, Headlamp Bucket.....	2.45
31037-S7	Screw Only, Headlamp Bucket Retainer use at 13015 each	1.30

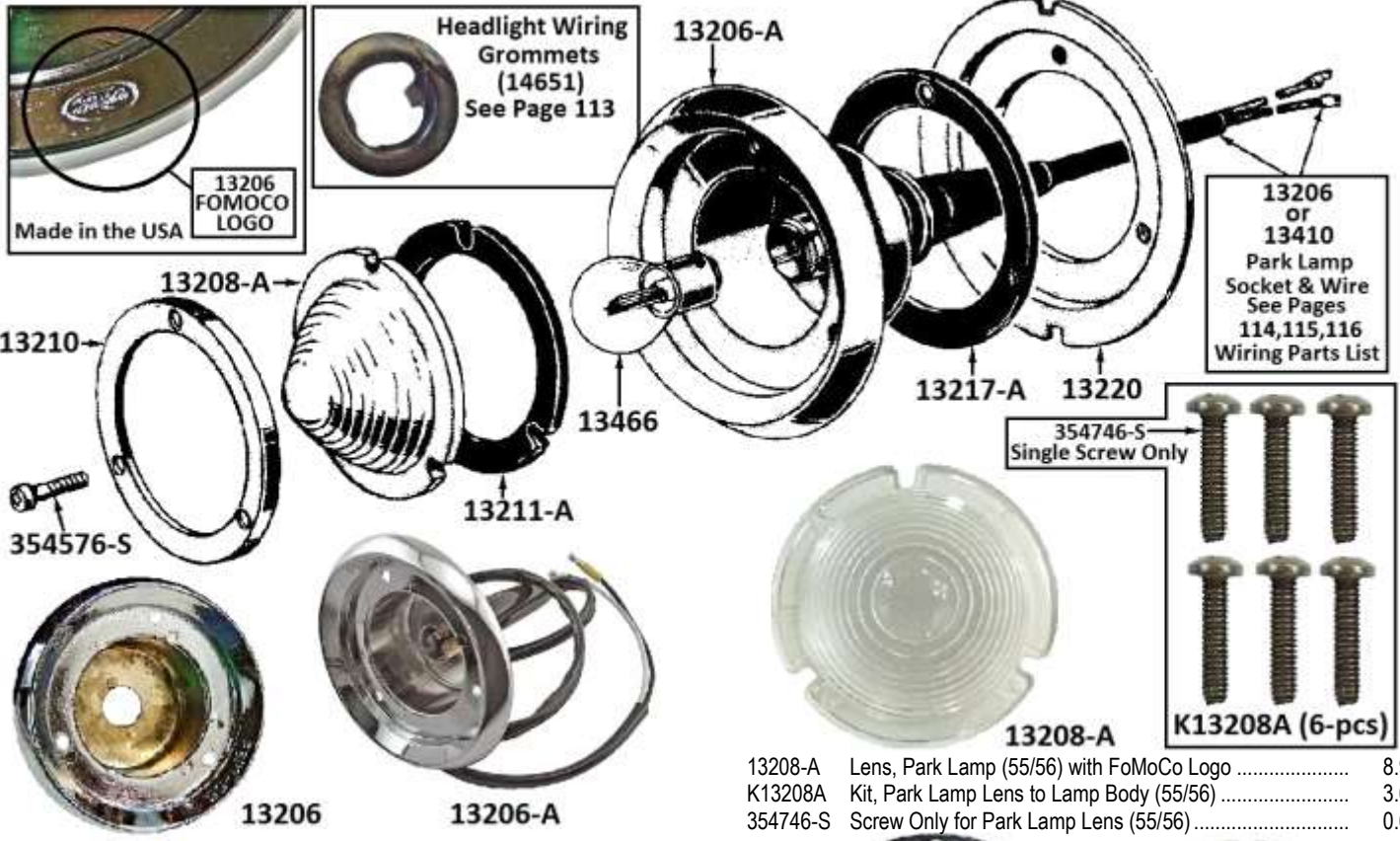
13064-A	Headlamp Brow New Old Stock (55)	Call
13064-B	Headlamp Brow Used Original (55)	Call
13064-C	Headlamp Brow New Old Stock (56/57)	Call
13064-D	Headlamp Brow Used Original (56/57)	Call

K13064	Kit, Headlamp Door to Bucket (2 Pieces)	4.90
--------	---	------



13032	Screw, Headlamp Adjusting	1.79
13032-BK	Nut & Bracket Kit Headlamp Adjusting	7.50

13064-R	Headlamp Door Repair Kit, Kit to repair broken prong on Top inside of headlamp door. Includes Clip, adhesive, and Instructions (Repairs one side)	12.00
13098	Clip, Headlamp Door Retaining Lower Holds Headlight Brow from moving side to side at bottom ..	6.00
13118	Headlamp Bucket Inner Housing, Only Holds Bulb	Call



13206	Park Lamp Body Housing Only (55/56) With Ford Logo. Made from Original Ford Tooling	Call
13206-A	Park Lamp Body with Pigtail (55/56) without Ford Logo	49.95
13206-H	Park Lamp Housing Only without Ford Logo (55/56).....	29.50

13208-A	Lens, Park Lamp (55/56) with FoMoCo Logo	8.95
K13208A	Kit, Park Lamp Lens to Lamp Body (55/56)	3.60
354746-S	Screw Only for Park Lamp Lens (55/56)	0.60

PARKLAMP KIT 55/56

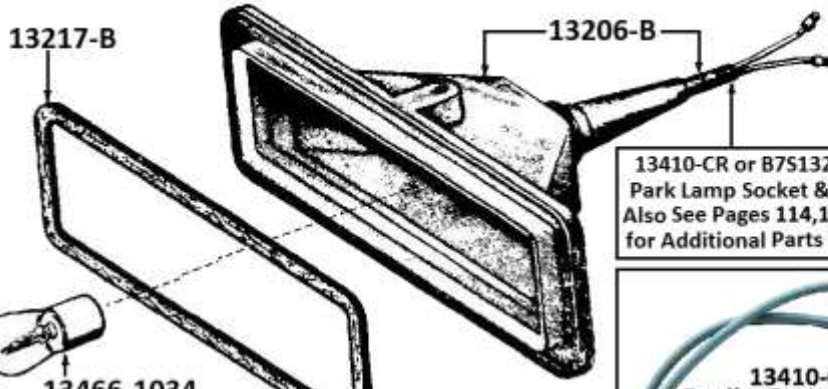
13206-AK	Park Lamp Body with Pigtail (55/56)	74.95
Includes: 13206A, 13208A, 13210, 13211A, 13217A, 13466, 354746-S		
13208-A	Lens, Park Lamp (55/56) with FoMoCo Logo	8.95
13208-R	Lens, Park Lamp (55/56) without Ford Logo.....	7.95
K13208A	Kit, Park Lamp Lens to Lamp Body (55/56).....	3.60
354746-S	Screw Only for Park Lamp Lens (55/56)	0.60

13210	Retainer, Park Lamp Lens (55/56)	10.60
13211-A	Gasket, Park Lamp Lens (55/56)	2.20
13217-A	Pad, Park Lamp Body to Fender (55/56)	4.35
13220	Retainer, Park Lamp Body	20.95
13410-AR	Park Lamp Socket with Pigtail (55, Quality Reproduction) .	25.95
13410-BR	Park Lamp Socket with Pigtail (56, Quality Reproduction) .	25.95

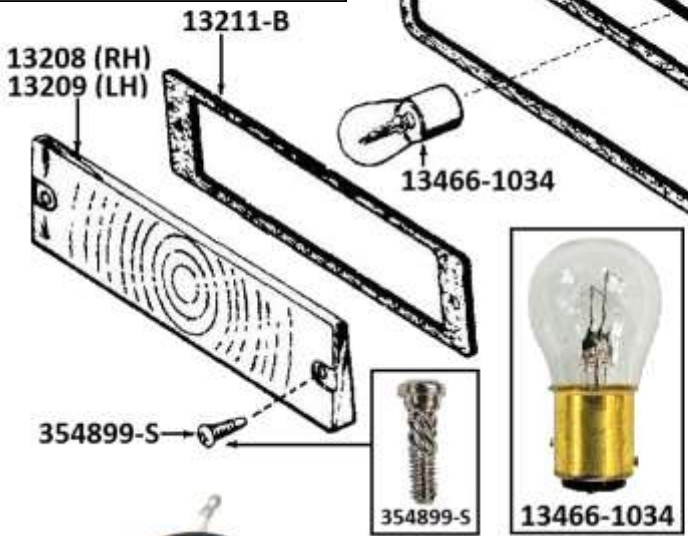
See Pages 114 to 116 for Additional Parts List

13466-1154	Bulb, Parking Lamp (55, 6V)	2.29
13466-1034	Bulb, Parking Lamp (56, 12V)	2.39

1957 Thunderbird Parking Lamp Assembly and Related Parts



13410-CR or B7S13234A
Park Lamp Socket & Wire
Also See Pages 114,115,116
for Additional Parts Listing



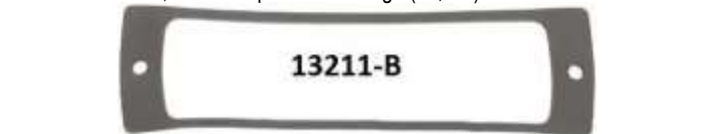
PARKLAMP KIT
1957

- 13206-B Park Lamp Body with Pigtail (57) 79.95
- 13466-1034 Bulb, Park Lamp (57)..... 2.39

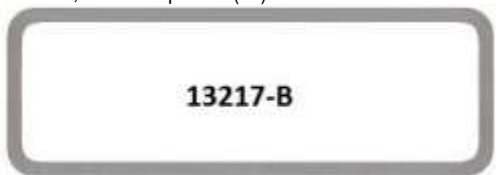


- 13208-B Lens, Park Lamp without Ford Logo (57, RH)..... 12.25
- 13208-F Lens, Park Lamp with Ford Logo (57, RH)..... 17.50
- 13209-B Lens, Park Lamp without Ford Logo (57, LH)..... 12.25
- 13209-F Lens, Park Lamp with Ford Logo (57, LH)..... 17.50

Park Lamp Body
with Wire
Includes:
13208/9
13211B
13217B
13466
354899-S



- 13211-B Gasket, Park Lamp Lens (57)..... 2.20



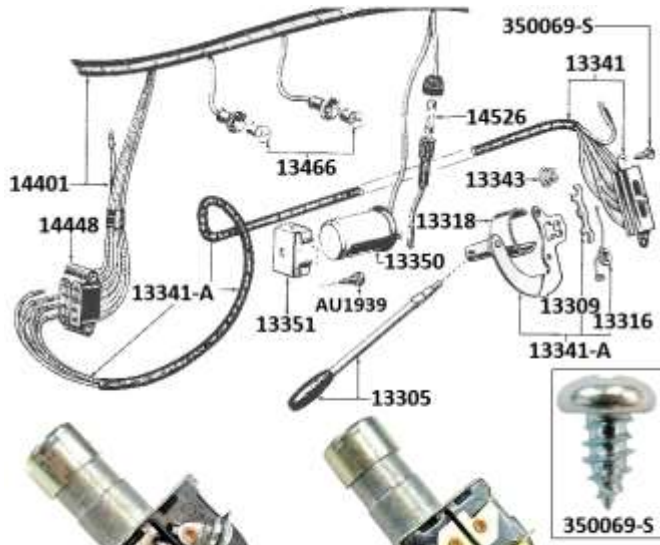
- 13217-B Pad, Park Lamp Body to Bumper (57)..... 2.30

- 13206-BKR Park Lamp Body without Ford Logo (57, RH)..... 99.95
- 13206-BKL Park Lamp Body without Ford Logo (57, LH)..... 99.95
- 13206-CKR Park Lamp Body with Ford Logo (57, RH)..... 104.95
- 13206-CKL Park Lamp Body with Ford Logo (57, LH)..... 104.95



- K13206B Kit, Park Lamp Housing to Bumper (57) 2.00
- K13208B Kit, Park Lamp Lens to Body (57) 4.00
- 354899-S Screw Only, Park Lamp Lens to Housing (57)..... 1.00
- 13410-CR Park Lamp & Turn Signal Wire RH/LH (57) 25.95
- B7S13234A Park Lamp & Turn Signal Wire RH/LH (57, Concours)..... 35.40

1955/1957 Thunderbird Turn Signal Switch and Related Parts



- 13A024-A Dimmer Switch (55/56)..... 32.50
- 13A024-B Dimmer Switch (57)..... 44.85



- 13304-A Plate Assembly, Turn Indicator Switch (55)..... 49.95
- 13304-B Plate Assembly, Turn Indicator Switch (56/57)..... 52.95



- 13305-A Handle, Turn Signal, Black End (55)..... 16.85
- 13305-B Handle, Turn Signal, Black End (56/57)..... 16.70
- 13305-BRX Handle, Turn Signal, Black End (56/57)
Use with (3600-R) Steering Wheel 1" Shorter 21.00



- 13309 Pawl, Turn Indicator Switch Plate 8.50
- 13316 Spring, Turn Indicator Switch Plate..... 6.25



- 13318 Cam, Turn Signal Cancelling 11.50
- 13327 Wire Guard, Steering Column (Used) 10.00
- AU1939 Screw, attaches (13327) to Steering Column 0.30



- 13341-A Turn Signal Switch Assembly (55/57)..... 102.95
- 350069-S Screw, Turn Signal Switch to Plate..... 0.25



- 13341-B Sleeve Kit to Make Stud on Original (13341)
Work Properly on (55/57) Thunderbirds 2.35
- 13343-A Spring, Conical Turn Signal Switch to Pawl
Use with Original Switch 3.25
- 13343-B Spring, Conical Turn Signal Switch to Pawl
Use with Replacement Switch 3.25



- 13350-A Flasher, Turn Signal (55, 6V)..... 15.35
- 13350-AE Flasher, Electronic (6V Positive Ground)
Comes Standard in (13450-ALED6) 34.95
- 13350-B Flasher, Turn Signal (12V)..... 6.49
- 13350-LED Electronic Flasher & 2-Front Park Lamp LED Bulbs 72.95



- 13351 Bracket, Turn Signal Flasher Mounting Call
- AU1939 Screw, attaches (13351) to Dash 0.30



- 13480 Switch, Brake Light 15.85
- 13480-W Pigtail, Green Wire for (13480) Switch (2-Required)..... 6.45

Mechanical Brake Light Switch
13480-MK

This kit will allow you to activate your brake lights with just slight pressure on the pedal. Mounts under dash out of sight. Includes switch, mounting bracket & instructions.

13480-MK Mechanical Brake Light Switch Kit..... 39.95

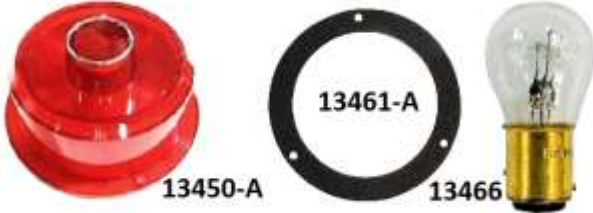


- 13535 Cover Plate, Headlamp Dimmer Switch 49.95
- 14448-C Junction Block Wiring, Goes Under Dash 55/56 15.95
- 14526-SFE75 Fuse, Turn Signal (56/57, 12V-7.5A)..... 1.20
- 14526-SFE9 Fuse, Turn Signal (55, 6V-9A)..... 1.20

1955/1956 Thunderbird Tail Lamp Assembly and Related Parts



- 13420-A Gasket, Rear Lamp Mounting (55/56)..... 6.25
- 13434-A Housing, Tail Lamp and Socket (55, Chrome)..... 48.50



- 13450-A Lens, Rear Lamp with Ford Script (55) 27.95
- 13461-A Gasket, Tail Light Lens (55) 2.70
- 13466-1154 Bulb, Rear Tail Lamp (55, 6V)..... 2.29
- 13466-1034 Bulb, Rear Tail Lamp (55, 12V)..... 2.39
- 353624-S Screw, Tail Light Lens to Housing, Also see (K13450A) 1.20



- K13434A Kit, Rear Lamp Body to Quarter (55/56) 1.50
- K13450A Kit, Tail Lamp Lens to Tail Lamp Housing (55)..... 6.60



- 13420-A Gasket, Rear Lamp Mounting (55/56)..... 6.25
- 13434-B Housing, Tail Lamp and Socket (56, Chrome)..... 48.50



- 13450-B Lens, Rear Lamp with Ford Script (56) 34.95
- 13461-B Gasket, Tail Light Lens (56) 2.70
- 13466-1034 Bulb, Rear Tail Lamp (56, 12V) 2.39
- 354798-S Screw, Tail Light Lens to Housing (56) 1.35



- K13434A Kit, Rear Lamp Body to Quarter (55/56) 1.50
- K13450B Kit, Tail Lamp Lens to Tail Lamp Housing (56)..... 7.80

TAIL LAMP KIT - 1955
 INCLUDES: (1)13420A (1)13434A (1)13450A (1)13461A
 (1)13466-1154 (3) 353624S FOR 12V BULB USE 13466-1157

13434-AK Housing Tail Lamp and Socket (55, Chrome) Each 87.95

LED REAR TAIL LAMP ASSEMBLY - 1955

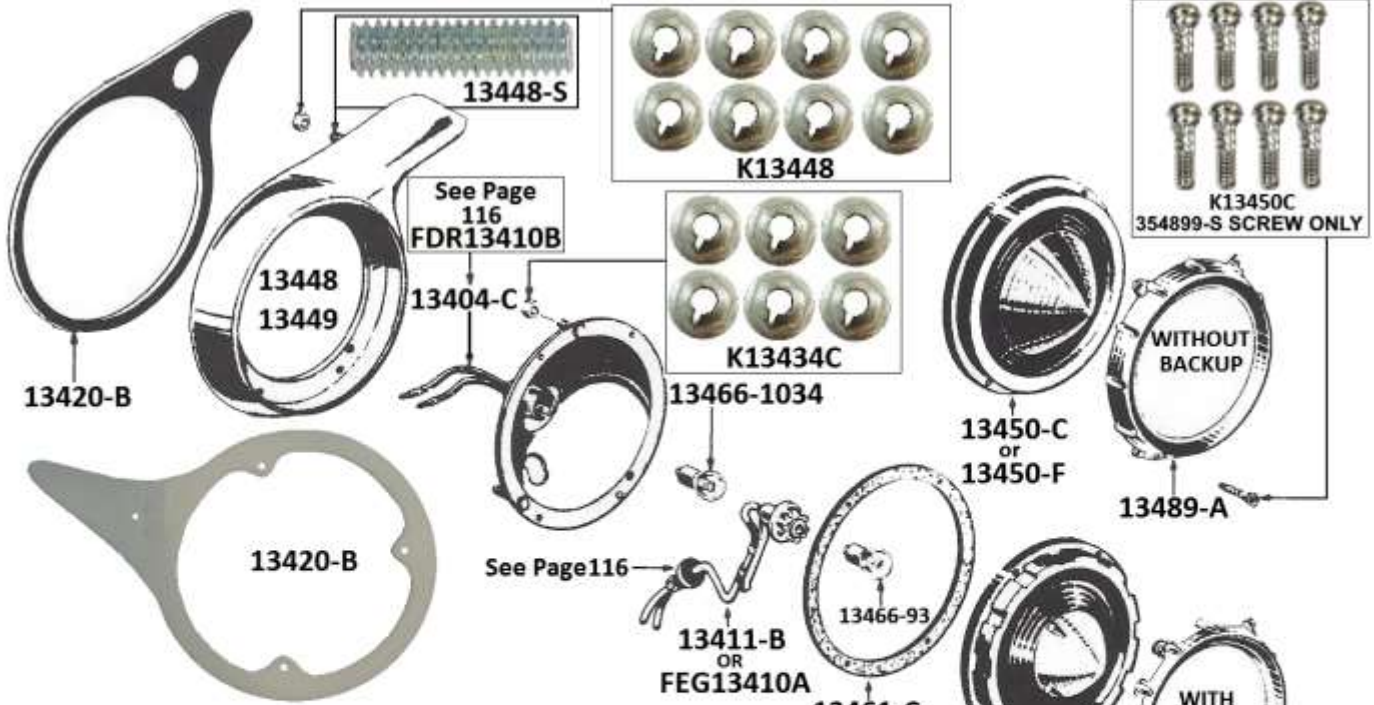
- 13450ALED6 Lens - Rear Lamps - with Integrated LED Assembly
 6V Kit Includes: Front LED, Electronic Flasher (55)..... 179.95
- 13450ALED12 Lens - Rear Lamps - with Integrated LED Assembly
 12V with Gaskets and Instructions (55) 139.95

TAIL LAMP KIT - 1956
 INCLUDES: (1)13420A (1)13434B (1)13450B (1)13461B
 (1)13466-1034 (3) 354798S

13434-BK Housing Tail Lamp and Socket (56, Chrome)..... Each 94.95

LED REAR TAIL LAMP ASSEMBLY - 1956
 12V with Gaskets and Instructions

- 13456LA 56 Rear LED Bulbs (Standard Flash) 169.95
- 13456LB 56 Rear LED Bulbs (Sequential Flash) 169.95



13420-B Gasket, Rear Lamp Mounting (57)..... 3.95



13434-C (This Item should be Gold Cadmium)

13434-C Housing, Tail Lamp (57, Gold Cad, Used Original)..... Call
 K13434C Kit, Tail Lamp Housing to Tail Lamp Brow 1.80
 13448 Tail Lamp Brow (57, RH)..... Call
 13449 Tail Lamp Brow (57, LH) Call
 13448-S Stud for (13448 & 13449) Tail Lamp Brow..... Each 1.20
 K13448 Kit, Tail Lamp Brow to Rear Quarter..... 2.40



13450-C Lens, Rear Lamp without Backup Lights Without Logo (57).... 24.95
 13450-D Lens, Rear Lamp with Backup Lights without Logo (57)..... 39.95
 13450-E Lens, Rear Lamp with Ford Script with Backup Lights (57)..... 49.95

K13450C Kit, Tail Lamp Lens to Tail Lamp Housing (57) 5.80
 354899-S Screw, Parking Lamp Lens (57)..... Each 1.00



13461-C Gasket, Tail Lamp Lens (57)..... 4.30
 13466-93 Bulb, Backup (57)..... 2.39
 13466-1034 Bulb, Rear Tail Lamp (56/57)..... 2.39

13489-A Sleeve, Rear Lamp Lens (57) without Backup 29.30
 13489-B Sleeve, Rear Lamp Lens (57) with Backup 29.30

REAR TAIL LAMP KIT - 1957

13450-EK - SHOWN

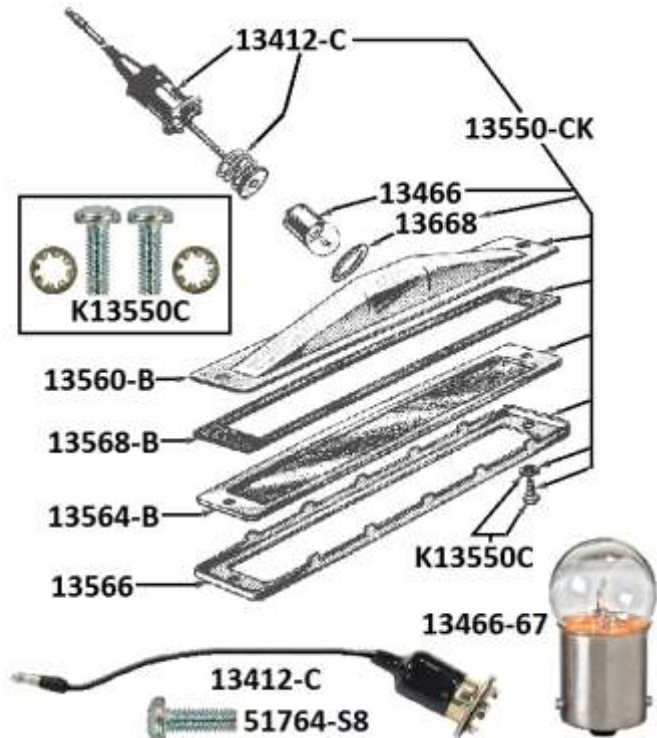
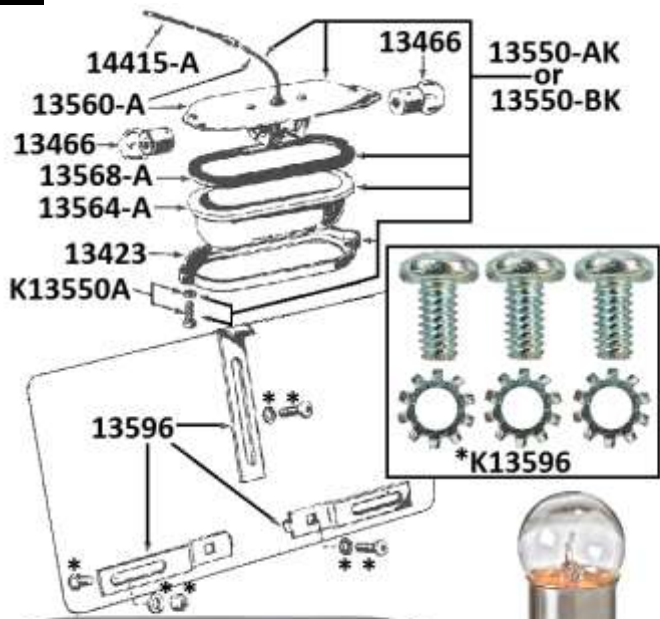
13450-CK Tail Lamp Kit without Backup Lights without Logo (57)..... 59.95
 13450-DK Tail Lamp Kit with Backup Lights without Ford Logo (57).... 74.95
 13450-EK Tail Lamp Kit with Backup Lights (57) with Ford Logo (57).. 84.95

INCLUDES: 13450-13461-13466-13489-358898S

LED TAIL LAMP KITS

13466LA 57 Rear LED Bulbs (Standard Flash) with Gaskets, Instructions, and Electronic Flasher..... 169.95
 13466LB 57 Rear LED Bulbs (Sequential Flash) with Gaskets, Instructions, and Electronic Flasher..... 169.95

1955/1957 Thunderbird License Lamp Assembly and Related Parts



13423	Retainer, License Lamp Lens (55/56)	17.85
13466-63	Bulb, License Lamp (55, 6V, 2 Bulbs Required)	2.19
13466-67	Bulb, License Lamp (56, 12V, 2 Bulbs Required)	1.19

13412-C	License Lamp Wire and Socket (57)	10.50
13466-67	Bulb, License Lamp (57)	1.19
51764-S8	Screw, License Plate Lamp Lens Retainer (57)	0.50



13550-AK	License Lamp Assembly (55)	69.95
13550-BK	License Lamp Assembly (56)	69.95
K13550A	Kit, License Lamp Assembly to Car (55/56)	1.20

LICENSE LAMP KIT - 1957

Includes: 13412C, 13466, K13550C
13560B, 13564B, 13566,
13568B, 13668

13550-CK	License Lamp Assembly (57)	81.95
K13550C	Kit, License Lamp Assembly to Car (57)	1.20



13560-A	Body Rear License Lamp (55/56)	39.95
13560-ALB	License Lamp Wire, Quality Replacement (55)	12.40
13560-B6S	License Lamp Wire, Quality Replacement (56) 26"	17.80
B5S13560ALB	License Lamp Wire, Authentic Reproduction (55)	15.80
B6S13560ALB	License Lamp Wire, Authentic Reproduction (56) 26"	20.90
14415-B6S	License Lamp Wire, Quality Repl. 16" with Grommet (56)	13.45
B6S14415A	License Lamp Wire, Authentic 16" with Grommet (56)	15.80

13560-B	Body Rear License Lamp (57)	28.15
13564-B	Lens Rear License Lamp (57)	19.95



13564-A	Lens Rear License Lamp Glass (55/56)	17.95
13568-A	Gasket Rear License Lens (55/56)	2.35

13566	Retainer Rear License Lamp (57)	20.20
-------	---------------------------------	-------

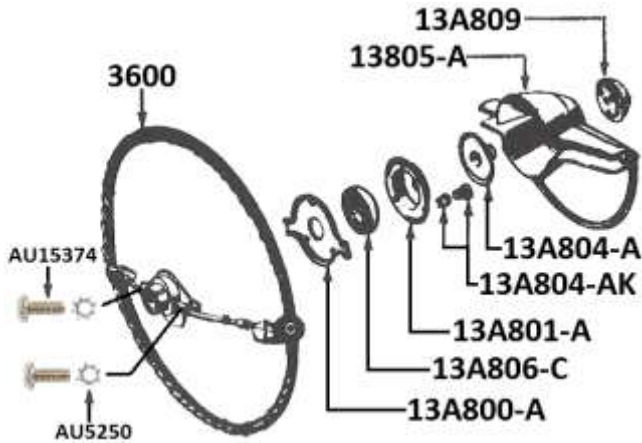
13568-B	Gasket Rear License Lens (57)	2.60
---------	-------------------------------	------



13596	License Plate Holder Rear (55, 3-Piece)	10.45
K13596	Kit, License Plate Holder Rear (55)	1.40

13668	Gasket, License Lamp to Lamp Body (57)	0.95
-------	--	------

1955 Thunderbird Horn Ring and Related Parts



3600	Steering Wheels New and Used Original See Page 26	Call
AU5250	Washer, External Lock	0.20
AU15374	Screw through Steering Wheel to Horn Ring	0.40



13A800-A	Plate, Attaching Horn Ring (55)	23.65
13A801-A	Contact Plate Horn Ring (55)	23.65
13A802-A	Spacer Plate Horn Ring (55)	23.95



13A803-A	Ribbed Trim Plate with Gasket Horn Ring (55)	36.00
----------	--	-------



13A804-A	Medallion Retaining Plate Lower (55)	16.99
13A804-AK	Screw & Grommet Kit Horn Ring (55)	11.30



13A805-A	Clear Plastic Horn Ring (55)	22.50
----------	------------------------------------	-------



13A805-B	Retaining Clip End Tabs for (13A805) (55)	Each	25.00
13A806-C	Insulator, Rubber Horn Ring (55)		9.00



13805-A	Horn Ring Made in the USA, Orig Ford Tooling (Chrome) .	499.00
---------	---	--------



13A806-A	Medallion Retainer Horn Ring Upper M/S (55)	22.95
13A806-B	Medallion Retainer Horn Ring Upper P/S (55)	22.95



13A806-D	Grommet, Rubber for Medallion Horn Ring	3.50
13A809-A	Medallion Horn Ring Center Plastic (55)	26.99

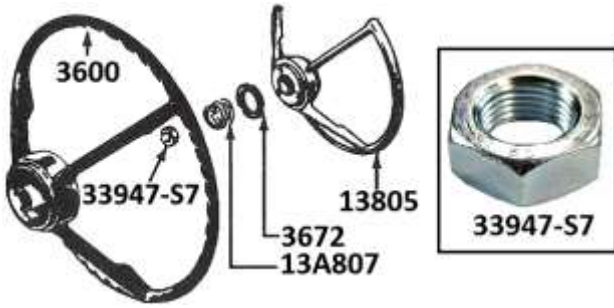
HORN RING ATTACHING KIT - 1955

All of necessary parts to complete your Horn Ring
 Does not include the 13805A Horn Ring or the 13A805B Retaining Clips
 Kit Includes: 13A800A, 13A801A, 13A802A, 13A803A, 13A804A, 13A804AK
 13A806A with Manual Steering or 13A806B with Power Steering
 13A806C, 13A806D, 13A809A

13A799-M Kit, Horn Ring (55) Manual Steering	215.00
13A799-P Kit, Horn Ring (55) Power Steering	215.00

HORN WIRE	
14308-B5S Horn Wire, Quality Replacement	23.80
B5S14308 Horn Wire, Authentic Reproduction	25.80

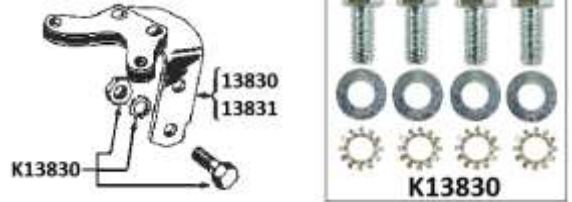
1956-1957 Thunderbird Horn Ring, Horn and Related Parts



3600	Steering Wheels New and Used Original	See Page 26	Call
33947-S7	Nut, Steering Wheel		0.90
13805-B	Horn Ring, Used Original (56/57) without Power Steering		Call
13805-C	Horn Ring, Used Original (56/57) With Master Guide Power Steering		Call
13805-CR	Horn Ring, Reproduction (56/57) With Master Guide Power Steering		250.00



13830	Bracket, Horn Mounting RH	9.95
13831	Bracket, Horn Mounting LH	9.95



K13830	Kit, Horn Brackets (13830-13831) to Body	2.00
--------	--	------

HORNS

Low Horn is Mounted on Right Hand Side
High is mounted on Left



13832-D	Horn, 12-Volt High Pitch, Flat Cover With Slide-on Wire Connection	49.95
13833-D	Horn, 12-Volt Low Pitch, Flat Cover With Slide-on Wire Connection	49.95

HORN RELAYS



13853-AR	Horn Relay (55, 6-Volt, Replacement)	32.75
13853-BR	Horn Relay (56, 12-Volt, Replacement)	29.95



13853-C	Horn Relay (57, 12V, Ford Original)	Call
13853-CR	Horn Relay (57, 12-Volt, Replacement)	39.95
K13853	Kit, Horn Relay (13853) to Inner Fender Apron	0.90



3672	Insulator, Horn Ring (56/57, Rubber)	1.20
13A800-B	Plate attaching Horn Ring (56/57)	19.30



13A801-B	Contact Plate Horn Ring (56/57)	19.30
13A804-BK	Screw & Grommet Kit Horn Ring (56/57)	11.30



13A807	Spring, Horn Ring (56/57)	3.75
13A806-E	Insulator, Rubber Horn Ring (56/57)	0.00



13A809-B	Medallion, Horn Ring Center Plastic (56)	0.00
13A809-C	Medallion, Horn Ring Center Plastic (57)	26.99

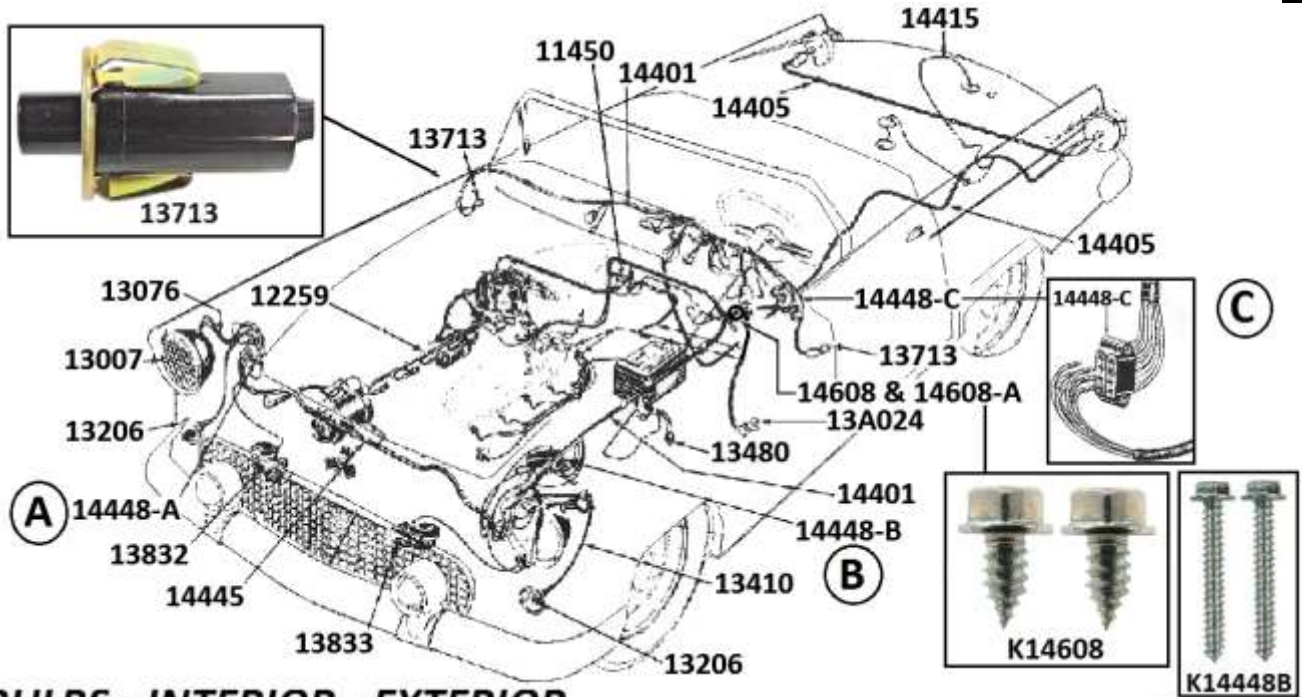


13A810-B	Medallion Background Plate (56) Silver Background	18.00
13A810-C	Medallion Background Plate (57) Black Background	18.00
14308-B6S	Horn Wire, Quality Replacement	25.80
B6S14308A	Horn Wire, Authentic Reproduction	29.40

WIRE LOOM TAG SET - 1957

SX	SX	SX	SX	SX	SX
FEJ-14305-A	FEJ-14445-B	FEJ-14776-A	FEJ-14771-A	FEJ-14405-C	FEF-14593-B
SX	SX	SX	SX	SX	SX
FEJ-14305-A	FEJ-14445-B	FEJ-14776-A	FEJ-14771-A	FEJ-14405-C	FEJ-14593-B
SX	SX	SX	SX	SX	SX
FEJ-14305-A	FEJ-14445-B	FEJ-14776-A	FEJ-14771-A	FEJ-14405-C	FEJ-14593-B
CONSISTS OF (20) TAGS					
FEJ14301A-FEJ14303A-FEJ14305A-FEJ14405A-FEJ14405C-FEJ14444A					
FEJ-14445A-FEJ14445B-FEJ14445D-FEJ14476A-FEJ14486A-FEJ14593A					
FEF14593B-FEJ14643A-FEJ14643B-FEJ14679A-FEJ14682A-FEJ14771A					
FEJ14774A-FEJ14776A					

WLTS	Wire Loom Tag Set - 1957	12.00
------	--------------------------	-------



BULBS - INTERIOR - EXTERIOR



BULB RESERVE KIT

13465-A	55 (1) each 44, 51, 55, 63, 81, 1129, 1154.....	15.40
13465-B	56 (1) each 57, 67, 1034, 1073, 1445.....	9.00
13465-C	57 (1) each 57, 67, 93, 1034, 1445, 1891.....	11.20

COMPLETE BULB KIT

Does Not Include 13007'S Blubs

13465-AK	55 - Bulb Kit, Complete (24 Pieces).....	47.95
13465-BK	56 - Bulb Kit, Complete (24 Pieces).....	36.95
13465-CK	57 - Bulb Kit, Complete (27 Pieces).....	39.95

13466-44	Bulb, Radio (55).....	1.99
13466-51	Bulb, Oil, Charge, Transmission, T/S Indicator (55).....	1.59
13466-55	Bulb, Hi-Beam, Instrument Panel (55).....	2.39
13466-57	Bulb, Hi-Beam, Instrument Panel, Oil and Charge Turn Signal Indicator (56/57).....	1.19
13466-63	Bulb, License Lamp (55).....	2.19
13466-67	Bulb, Courtesy Lamp, License Lamp (56/57).....	1.19
13466-81	Bulb, Courtesy Lamp (55).....	1.89
13466-93	Bulb, Backup (57).....	2.39
13466-1034	Bulb, Parking Lamp, Rear Tail Lamp (57).....	2.39
13466-1073	Bulb, Backup (56).....	2.39
13466-1129	Bulb, Backup (55).....	3.49
13466-1154	Bulb, Parking Lamp, Rear Tail Lamp (55).....	2.29
13466-1445	Bulb, Transmission (56/57).....	2.29
13466-1891	Bulb, Radio (56/57).....	2.29



14448-A	Junction Block Wiring, Goes on RH Apron Single Stack (55/56).....	13.15
14448-B	Junction Block Wiring, Goes on LH Apron Double Stack (55/57).....	15.75



14448-C	Junction Block Wiring, Goes Under Dash (55/56).....	15.95
K14448A	Kit, Junction Blocks to Apron (55/56).....	1.50
K14448B	Kit, Junction Block to Apron (57).....	1.35



14608	Retainer Cowl Wiring Grommet.....	14.95
14608-A	Grommet Main Harness through Firewall.....	4.95
K14608	Kit, Wiring Grommet Retainer to Firewall.....	1.20



14651	Grommet, Headlamp and Park Lamp Wiring.....	3.35
14651-S	Grommet, Small Park Lamp Wiring (57, Uses-2).....	2.95



13713	Switch, Map Lamp in Hinge Pillar.....	7.95
-------	---------------------------------------	------

1955 Thunderbird Electrical Wiring

1955 WIRING LIST

Quality Replacement Wiring for your Thunderbird

13076-AA	Headlamp Wiring.....	29.95
13404-A	Rear Lamp Socket Assembly.....	19.30
13410-AR	Park Lamp with Pigtail.....	28.60
13411-A	Backup Light Socket.....	18.40
13560-ALB	License Lamp Wire.....	18.85
13715-ALS	Shift Lamp Wire.....	3.70
13754-ALB	Map Light Socket and Wire.....	17.20
13796-AP	Dome Light Map Wire.....	6.15
14302-R	Coil to Distributor Wire.....	8.50
14308-B5S	Horn Wire.....	25.75



14309-AR	Heater Switch to Heater Wire.....	16.50
14322-AR	Oil Sender Wire.....	8.90
14338-R	Ignition to Heater Switch Wire with Fuse.....	14.85
14382-A	Overdrive Wire.....	39.45



14401-A	Main Dash Wiring Harness.....	459.00
352999-S	Clip, Wiring, Aprons and Firewall.....	2.90
14401-DX	Main Harness Repair to Engine Compartment.....	99.95
14401-GK	Terminal End Repair Kit for Engine Compartment.....	22.45
14405-AR	Tail Lamp Wiring Front to Rear.....	89.50
14445-AR	Crossover Harness Front.....	69.30
14476-R	Neutral Safety Switch Wire Harness.....	33.50
14486-B5S	Turn Signal Switch Wire less Switch.....	30.80

14590-R	Ground Wire for Instrument Panel.....	12.60
14593-A	Seat Motor Horizontal Wire.....	28.70
14593-B	Seat Motor Vertical Wire.....	19.60
14626-A	Seat Circuit Breaker to Ignition Switch.....	6.00
14628-A	Breaker on Firewall to Circuit Breaker Under Dash Wire....	15.10
14630-A	Power Window Harness RH Door.....	72.00
14631-A	Power Window and Seat Harness LH Door.....	78.40
14643-AR	Power Seat to Under Dash Wiring.....	74.55
14663-A	RH Window Relay to Motor.....	21.45
14682-A	Seat Circuit Breaker to Starter Solenoid.....	11.50
14689-A	Power Seat Switch to Dash Wiring LH Door.....	43.40
15506-A	Backup Light Wire 2-Black/Red Wires S/T Only.....	27.50
15525-A	Backup Light Wire 1-Black/Red Wire S/T Only.....	11.00
18527-FEA	Heater Motor Wire Repair (Early Braided).....	16.75
18527-B5S	Heater Motor Wire Repair (Late PVC).....	16.30
18549-S	Temperature Control Panel Lamp Socket.....	12.10
18805-DL	Wire Radio Dial Light Feed (55).....	4.90



18806-55	Radio Wire to Ignition with Fuse Holder.....	25.20
18807-FEA	Socket and Wire, Radio Speaker to Radio Dash.....	21.75

1955 AUTHENTIC REPRODUCTION WIRING



B5S13076A	Headlamp Socket Wire with Grommet.....	45.40
B5S13206AR	Park Lamp Socket Front RH.....	49.40
B5S13206AL	Park Lamp Socket Front LH.....	49.40
FDH13410A	Tail Lamp Socket.....	29.10
B5S13560ALB	License Lamp Wire.....	18.85
B5S13715ALS	Shift Lamp Wire.....	3.70



B5S13754ALB	Map Light Socket.....	17.20
FAC13796AP	Dome Light Map Wire.....	6.15
FDL14302A	Coil to Distributor Wire.....	9.40
B5S14308	Horn Wire.....	25.75
FEA14309A	Heater Switch to Heater Motor (Braided).....	17.80
FEA14309AP	Heater Switch to Heater Motor (PVC).....	17.60
B5S14382A	Overdrive Wire.....	43.40
B5S14401A	Dash Main Harness.....	639.20
B5S14405B	Body Front to Rear.....	109.90
B5S14445D	Crossover Harness (H/L).....	73.80
B5S14476A	Neutral Safety Switch Wire.....	33.50
B5S14486A	Turn Signal Switch Wire less Switch.....	30.80



B14487	Bullet Splice Single Black (Sleeved).....	1.25
59A14487B	Double Splice (4-Way Sleeved).....	3.80
360001-S	Male Connector, Special Ford, Crimp On.....	0.40



B5S14590A	Instrument Ground Jumper Wire.....	17.80
B5S14593A	Seat Motor Horizontal Regulator Wire.....	28.70
B5S14593B	Seat Motor Vertical Regulator Wire.....	19.60
FEA14626A	Seat Circuit Breaker to Ignition Switch.....	6.00
FEA14628A	Seat Circuit Breaker to Circuit Breaker Wire.....	19.20
B5S14630A	Electric Window Wire RH.....	96.20
B5S14631A	Electric Window and Seat Wire LH.....	135.80
B5S14643A	Seat Regulator Relay Wire.....	70.45
FEA14663A	Window Relay to Motor RH.....	21.45
FEA14682A	Seat Circuit Breaker to Starter Solenoid.....	11.50
B5S14689A	Seat Regulator Switch Wire.....	62.95
B5S15506A	Backup Light Wire 2-Black/Red Wires.....	32.00
FDR15525A	Backup Light Wire 1-Black/Red Wire.....	11.60
FEA15536ALS	Backup Light Socket, Wireless Socket.....	6.30
FEA18527W	Heater Blower Motor Wire (Braided).....	16.75
B5S18527W	Heater Blower Motor Wire (PVC).....	16.30
FEA18805DL	Radio Dial Light Feed Wire.....	4.90
FEA18805FH	Radio Feed Wire with Fuse.....	29.30
FEA18807	Front Speaker Wire.....	21.75

1956 WIRING PARTS LIST Quality Replacement Wiring for your Thunderbird



13076-AB	Headlamp Wiring.....	29.95
13404-B	Rear Lamp Socket Assembly.....	19.80
13410-BR	Park Lamp Socket with Pigtail.....	30.20
13411-A	Backup Light Socket.....	18.40
13560-B6S	License Light Wire 26".....	20.90
13715-ALS	Shift Lamp Wire.....	6.20
13754-A	Switch, Map Light with Leads & Rivets..... See Page 163	9.90
13754-ALB	Map Light Socket.....	18.50
14302-R	Coil to Distributor Wire.....	8.20
14308-B6S	Horn Wire.....	25.80
14309-BR	Heater Switch to Heater Blower Motor Wire.....	21.90
14322-BR	Oil Sender Wire.....	9.45
14338-R	Ignition Switch to Heater Switch Wire with Fuse.....	18.10
14382-B	Overdrive Harness-Relay to O/D Switch-Gov-Solenoid.....	29.20
14396-BR	Ignition Switch to Overdrive Relay.....	9.85

Also See Page 221 For more Clips



14401-B	Main Dash Wiring Harness.....	459.00
352999-S	Clip, Wiring, Aprons and Firewall.....	2.90
14401-EX	Main Harness Repair to Engine Compartment.....	87.00
14401-HK	Terminal End Repair Kit for Engine Compartment.....	24.45
14405-BR	Tail Lamp Wiring without Backup Lights.....	89.50
14405-BRBU	Tail Lamp Wiring with Backup Lights.....	97.50
14415-B6S	License Lamp Wire 16" with Grommet.....	13.85
14445-BR	Crossover Harness Front.....	77.85
14476-R	Neutral Safety Switch Wire.....	38.50
14486-B6S	Turn Signal Switch Wire less Switch.....	42.75
14495-R	Coil to Resistor Wire.....	7.40
14590-R	Ground Wire for Instrument Panel.....	12.60
14593-C	Seat Motor Horizontal Wire.....	39.30
14593-D	Seat Motor Vertical Wire.....	30.15
14630-B	Power Window Harness RH Door.....	57.00
14631-B	Power Window Harness LH Door.....	59.00
14631-D	Power Window and Seat Harness LH Door.....	78.00
14643-BR	Power Seat Motors to Under Dash Wiring.....	65.00
14679-R	Power Window Safety Relay Harness.....	36.70
14682-FEF	Seat Circuit Breaker to Starter Solenoid.....	12.25
14689-B	Power Seat Switch to Under Dash LH Door.....	37.00
15026-A	Wire Electric Clock Feed with Fuse.....	17.00
15506-B	Backup Light to Switch Wiring Standard Trans. Only.....	27.30
15525-B	Backup Light Switch Feed Standard Transmission Only.....	17.00
18527-RB	Heater Motor Wire Repair Kit.....	20.50
18549-S	Temperature Control Panel Lamp Socket.....	12.10
18805-DL	Radio Dial Light Feed.....	7.70
18806-FH	Radio Wire with Fuse Holder.....	25.20
18807-FEA	Socket and Wire, Radio Speaker to Radio Dash.....	21.70

1956 Authentic Reproduction Wiring

B6S13076AM	Headlamp Socket Wire with Grommet.....	46.20
B6S13206AR	Park Lamp Socket Front RH.....	42.70
B6S13206AL	Park Lamp Socket Front LH.....	42.70
FDR13410A	Tail Lamp Socket.....	19.20
B6S13560ALB	License Lamp Wire 26".....	20.90
B6S13715ALS	Shift Lamp Wireless Socket.....	6.20



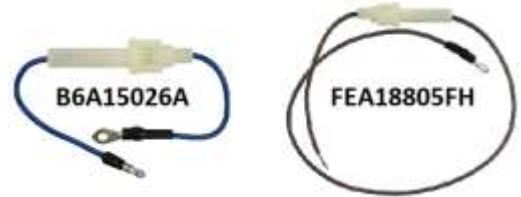
13754-A	Switch, Map Light with Leads & Rivets..... See Page 163	9.90
B6S13754ALB	Map Light Socket.....	18.50
FDV14302A	Coil to Distributor Wire.....	8.20
B6S14308A	Horn Wire.....	29.90
FEA14309AM	Heater Switch to Heater Motor.....	26.50
B6S14309B	Ignition Switch to Heater Switch.....	30.75
FEF14322A	Oil Sender to Cowl Wire.....	10.50
B6S14382A	Overdrive Wire.....	53.45
FDR14396A	Ignition Switch to Overdrive Relay.....	10.85
B6S14401A	Dash Main Harness.....	749.00
FEF14405G	Body Front to Rear without Backup Lights.....	165.70
FEF14405H	Body Front to Rear with Backup Lights.....	191.20
B6S14415A	License Lamp Wire 16" with Grommet.....	15.20
B6S14445MU	Crossover Harness (H/L).....	87.40
FEF14476A	Neutral Safety Switch Wire.....	45.20
B6S14486A	Turn Signal Switch Wireless Switch.....	48.00



B14487	Bullet Splice Single Black (Sleeved).....	1.25
59A14487B	Double Splice (4-Way Sleeved).....	3.80
360001-S	Male Connector, Special Ford, Crimp On.....	0.40
FDR14495A	Ignition Coil to Ignition Resistor.....	8.75
B6S14590A	Instrument Ground Jumper Wire.....	17.80
B6S14593A	Seat Motor Horizontal Regulator Wire.....	46.20
B6S14593B	Seat Motor Vertical Regulator Wire.....	35.40



B6S14630B	Electric Window Wire RH.....	137.60
B6S14631B	Electric Window and Seat Wire LH.....	208.45
B6S14643A	Seat Regulator Relay Wire.....	112.90
B6S14679A	Electric Window Motor Relay to Regulator.....	45.50
FEF14682A	Seat Circuit Breaker to Starter Solenoid.....	13.90
B6S14689A	Seat Regulator Switch Wire.....	76.60



B6A15026A	Electric Clock Feed Wire with Fuse Holder.....	28.80
FDR15536ALS	Backup Light Socket, Wireless Socket.....	7.10
FEF18527W	Heater Blower Motor Wire.....	22.40
FEA18805DL	Radio Dial Light Feed Wire.....	7.70
FEA18805FH	Radio Feed Wire with Fuse.....	28.30
FEA18807	Front Speaker Wire.....	21.70

1957 WIRING PARTS LIST

Quality Replacement Wiring for your Thunderbird

13076-BRK	Headlamp Wiring.....	56.95
13404-C	Rear Lamp Socket.....	15.80
13410-CR	Park Lamp Socket with Pigtail.....	26.10
13411-B	Backup Light Socket and Wire.....	25.60
13412-C	License Lamp Socket and Wire.....	11.50
13715-ALS	Shift Lamp Wire.....	6.20
13754-A	Switch Map Light with Leads with Rivets See Page 163	9.90
13754-ALB	Map Light Socket.....	18.50
14302-R	Coil to Distributor Wire.....	8.20



14305-R	Generator to Voltage Regulator.....	26.80
14308-B6S	Horn Wire.....	25.80
14309-BR	Heater Switch to Heater Blower Motor Wire.....	21.90
14322-BR	Oil Sender Wire.....	9.45
14338-R	Ignition Switch to Heater Switch Wire with Fuse.....	18.10
14382-B	Overdrive Harness-Relay to O/D Switch-Gov-Solenoid.....	29.20
14396-BR	Ignition Switch to Overdrive Relay.....	9.85



14401-C	Main Dash Wiring Harness.....	469.00
352999-S	Clip, Wiring, Aprons and Firewall (10-Per Car).....	2.90
14401-FX	Main Harness Repair to Engine Compartment.....	96.60
14401-IK	Terminal End Repair Kit for Engine Comp. (With Relay)....	29.60
14401-JK	Term. End Repair Kit for Engine Comp. (Without Relay)....	24.95
14401-KK	Terminal End Repair Kit Horn Relay.....	15.00
14405-CR	Tail Lamp Wiring without Backup Lights.....	80.15
14405-CRBU	Tail Lamp Wiring with Backup Lights.....	84.60
14445-CR	Crossover Harness (Early 57, Ring Terminals).....	26.45
14445-CS	Crossover Harness (Late 57, Slide on Terminals).....	26.45
14476-R	Neutral Safety Switch Wire.....	38.50
14486-B6S	Turn Signal Switch Wire less Switch.....	42.75
14495-R	Ignition Coil to Ignition Resistor.....	7.40
14495-ER	Ignition Coil to Ignition Resistor (Dual-4).....	7.40

14593-C	Seat Motor Horizontal Regulator Wire.....	39.30
14593-D	Seat Motor Vertical Regulator Wire.....	30.15
14630-C	Power Window Harness RH Door.....	57.50
14631-C	Power Window Harness LH Door.....	58.50
14631-E	Power Window and Seat Harness LH Door.....	74.00
14643-BR	Seat Regulator Relay Wire.....	65.00
14643-C	Seat Regulator Relay Wire with Dial-o-Matic.....	98.75
14679-R	Power Window Safety Relay Harness.....	36.70
14682-FEF	Seat Circuit Breaker to Starter Solenoid.....	12.25
14689-B	Power Seat Switch to Under Dash.....	37.00
14771-R	Dial-o-Matic Vertical Position Motor.....	24.20
14774-R	Seat Regulator Control Wire with Dial-o-Matic Seats.....	50.80
15026-A	Wire Electric Clock Feed with Fuse.....	17.00
15506-B	Backup Light to Switch Wiring, Standard Trans. Only.....	27.30
15525-B	Backup Light Switch Feed, Standard Trans. Only.....	17.00
18527-RB	Heater Motor Wire Repair Kit.....	20.50
18549-S	Temperature Control Panel Lamp Socket.....	12.10
18805-DL	Radio Dial Light Feed Wire.....	7.70
18806-FH	Radio Feed Wire with Fuse Holder.....	25.20
18807-FEA	Socket and Wire Radio to Speaker.....	21.70

1957 Authentic Reproduction Wiring

B7S13076A	Headlamp Socket Wire with Grommet RH.....	41.20
B7S13077A	Headlamp Socket Wire with Grommet LH.....	36.15
B7S13234A	Park Lamp & Turn Signal Wire RH/LH.....	35.40
FDR13410B	Tail Lamp Socket.....	29.10
FEF13410A	Backup Light Socket.....	27.90
B7S13412A	License Lamp Socket.....	22.10
B6S13715ALS	Shift Lamp Wireless Socket.....	6.20
13754-A	Switch, Map Light with Leads & Rivets..... See Page 163	9.90
B6S13754ALB	Map Light Socket.....	18.50
FDV14302A	Coil to Distributor Wire.....	8.20



B7S14305A	Generator to Regulator Wire.....	37.20
B6S14308A	Horn Wire.....	29.90
FEA14309AM	Heater Switch to Heater Blower Motor.....	26.50
B6S14309B	Ignition Switch to Heater Switch with Fuse.....	30.75
FEF14322A	Oil Sender Wire.....	10.50
B6S14382A	Overdrive Wire.....	53.45
FDR14396A	Ignition Switch to Overdrive Relay.....	10.85
B7S14401A	Dash Main Harness.....	849.00
B7S14405C	Body Front to Rear with Automatic Transmission.....	174.00
B7S14405D	Body Front to Rear with Standard Transmission.....	187.50
B7S14445A	Crossover Harness (Early 57, Ring Terminals).....	37.80
B7S14445B	Crossover Harness (Early 57, Slide on Terminals).....	43.50
FEF14476A	Neutral Safety Switch Wire.....	45.20
B6S14486A	Turn Signal Switch Wireless Switch.....	48.00



B14487	Bullet Splice Single Black (Sleeved).....	1.25
59A14487B	Double Splice (4-Way Sleeved).....	3.80
360001-S	Male Connector, Special Ford, Crimp On.....	0.40

FDR14495A	Ignition Coil to Ignition Resistor.....	9.75
FEJ14495B	Ignition Coil to Ignition Resistor (Dual-4).....	10.20
B6S14593A	Seat Motor Horizontal Regulator Wire.....	46.20
B6S14593B	Seat Motor Vertical Regulator Wire.....	35.40



B7S14630A	Electric Window Wire RH.....	128.20
B7S14631A	Electric Window Wire LH (Manual Seats).....	
B7S14631B	Electric Window and Seat Wire LH.....	155.00
B7S14643A	Seat Regulator Relay Wire.....	86.70
B7S14643B	Seat Regulator Relay Wire with Dial-o-Matic Seats.....	252.00
B7S14679A	Electric Window Motor Relay to Regulator.....	46.20
FEF14682A	Seat Circuit Breaker to Solenoid Wire.....	13.90
B7S14774A	Seat Regulator Control Wire with Dial-o-Matic Seats.....	75.80
B6A15026A	Electric Clock Feed Wire with Fuse Holder.....	28.80
FEF18527W	Heater Blower Motor Wire.....	22.40
FEA18805DL	Radio Dial Light Feed Wire.....	7.70
FEA18805FH	Radio Feed Wire with Fuse.....	28.30
FEA18807	Front Speaker Wire.....	21.70



14512-B



14512-BN

- 14512-A Relay, Power Window or Power Seat (55, 6-Volt)
Replacement Type 4-Terminal-Inside of Door-Behind Seat 35.00
- 14512-B Relay, Power Seat (56/57, 12-Volt)
Replacement Type 4-Terminal-Behind Seat 35.00
- 14512-AN Relay, Power Window or Power Seat (55, 6-Volt) (Original) Call
- 14512-BN Relay, Power Seat (56/57, 12-Volt) (Original-Behind Seat) Call
(Also see 14677 Power Window Safety Relay 56/57)



14526



14526

14526-S

- 14526-A Circuit Breaker 15AMP P/W in Door 56-Kick Panel Area 57 9.89
- 14526-B Circuit Breaker 20AMP P/W & P/S (55) 9.89
- 14526-C Circuit Breaker 30AMP P/W (56/57) P/S (55/57) 9.89
- 14526-D Circuit Breaker 40AMP P/W & P/S (55) 9.89

**Use this Ground Strap for the Seat and Window, Circuit Breakers
14526-A-B-C-D**

- 14526-S Ground Strap Use with Circuit Breakers 4.25



14677

- 14677 Power Window Safety Relay, At Firewall-Original (56/57)... Call
(Also See 14526 use at Doors 56 and Kick Panel Area 57)



14677-R

- 14677-R Relay & Wire Assembly for (23208) Power Window Kit
*Can also be used to replace the Original Power
Window Safety Relay that is on the Firewall 39.95

FUSES



14526-AGA1



14526-AGA3

- 14526-AGA1 Fuse, Clock (56/57, 12V-1A) 1.35
- 14526-AGA3 Fuse, Clock (55, 6V-3A) 1.35



14526-AGC15



14526-AGC30

- 14526-AGC15 Fuse, Overdrive (56/57, 12V-15A) 1.00
- 14526-AGC30 Fuse, Overdrive (55, 6V-30A) 1.00



14526-SFE75



14526-SFE9

- 14526-SFE75 Fuse, Radio, Map Light, Turn Signal,
Headlight Switch (56/57, 12V-7.5A) 1.20
- 14526-SFE9 Fuse, Map Light, Turn Signal,
Headlight Switch (55, 6V-9A) 1.20



14526-SFE14



14526-SFE20

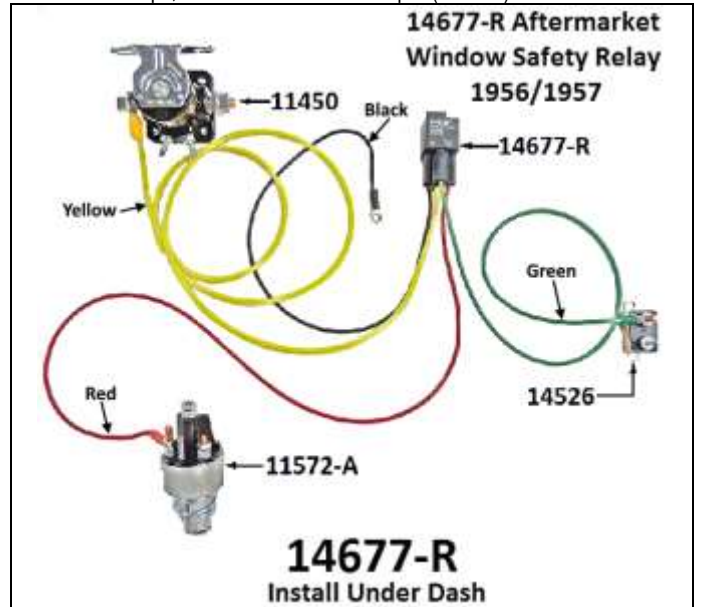
- 14526-SFE14 Fuse, Radio (55, 6V) Heater (56/57, 12V-14A) 1.00
- 14526-SFE20 Fuse, Heater Motor (55, 6V-20A) 1.00

FUSE KIT (1 - EACH)

- Clock, Radio, Map Light, Heater Motor, Turn Signal & Overdrive
- 14526-AK Fuse Kit, 6 Fuses (55, 6-Volt) 5.00
- 14526-BK Fuse Kit, 6 Fuses (56/57, 12-Volt) 6.00

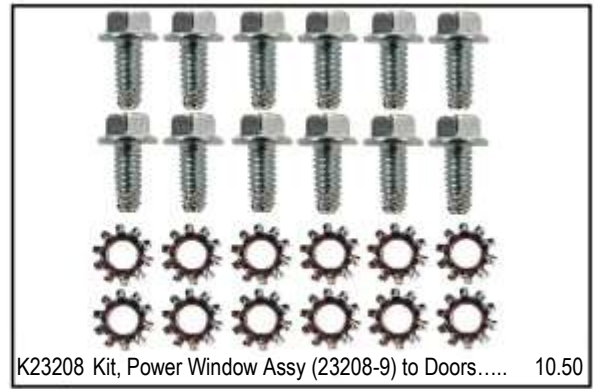
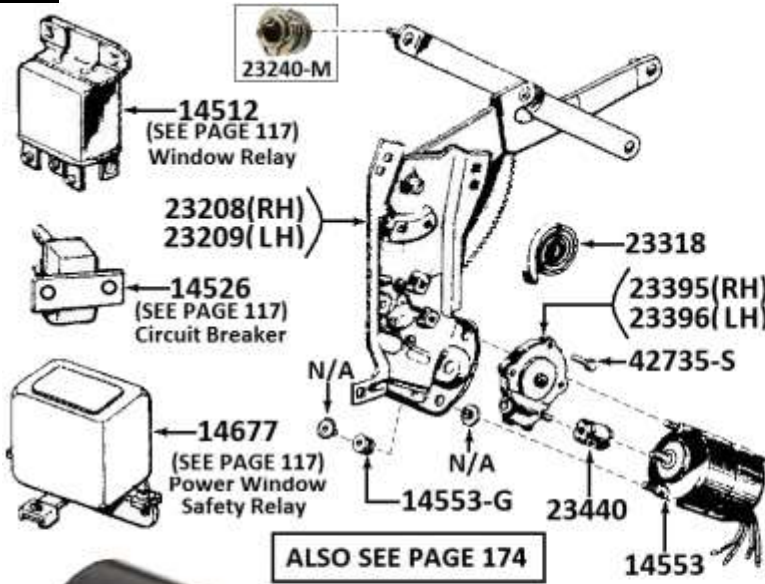


- 14585-B Clips, Wire Loom at Cluster Repro (3 Piece) 8.25



14677-R
Install Under Dash

1955/57 Thunderbird Electrical Window Regulator Control & Related Parts



14553-A	Power Window Motor (New, 6-Volt)	249.95
14553-B	Power Window Motor (New, 12-Volt)	249.95
358355-S	Clip, Rubber Coated, Window Motors	2.00

23318-P	Spring, Power Window Regulator Assembly	8.35
---------	---	------



14553-G	Grommets, Window Motor Mounting (Pair)	1.60
---------	--	------



23395	Power Window Motor Transmission RH (55/57)	Call
23396	Power Window Motor Transmission LH (55/57)	Call
42735-S	Bolt to Attach (23395/23396) to Regulator (Used Original)	Call



23208-R	Regulator, Power Window RH (Original)	Call
23209-R	Regulator, Power Window LH (Original)	Call



23395-B	Bearing Only, Power Window Drive	12.00
---------	----------------------------------	-------

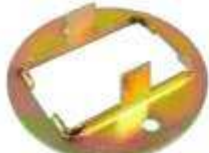
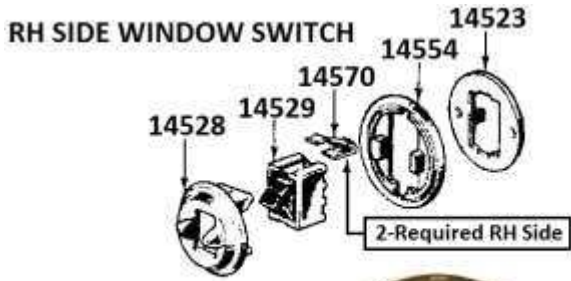


23240-M	Roller, Window Regulator (All Metal)	11.25
23240-P	Roller, Window Regulator (Plastic)	3.25



23395-K	Repair Kit, Power Window Transmission	59.85
23440	Coupling, Power Window Motor to Drive	14.85

1955/57 Thunderbird Power Window Switches and Related Parts



14523



14528-A

- 14523 Plate, Power Window Switch RH 7.85
- 14528-A Housing P/W Switch RH (Chrome) 24.95



14529-A



14529-B

- 14529-A Switch, Power Window Regulator (55) Single Type 3-Female Terminals 49.95
- 14529-B Switch, Power Window Regulator Single Type 3-Male Terminals (56/57) 49.95

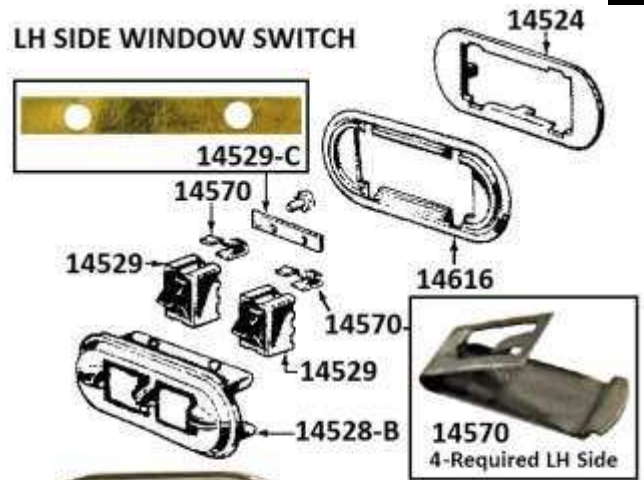


14554



14570

- 14554 Gasket, Window Switch Housing RH 3.50
- 14570 Clip, Power Window Switch Retainer (2 / RH) 2.10



14524



14528-B

- 14524 Plate, Power Window Switch LH 14.85
- 14528-B Housing P/W Switch LH (Chrome) 32.50



14529-A



14529-B

- 14529-A Switch, Power Window Regulator (55) Single Type 3-Female Terminals 49.95
- 14529-B Switch, Power Window Regulator Single Type 3-Male Terminals (56/57) 49.95
- 14529-C Crossover Bar LH P/W Switches 3.00
- 14570 Clip, Power Window Switch Retainer (4 / LH) 2.10

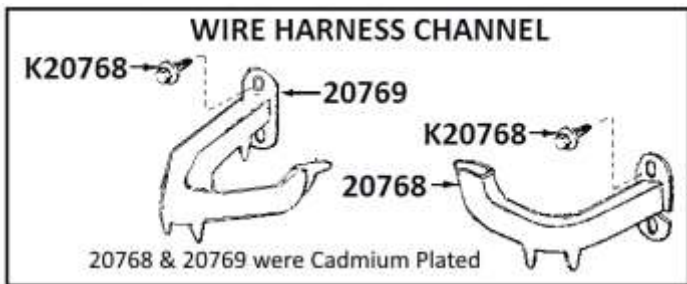


14616



358355-S

- 14616 Gasket, Window Regulator Switch LH 4.85
- 358355-S Clip, Rubber Coated, Window Motors 2.00



20768



K20768



20769

- 20768 Shield, Wiring Protector Door RH 34.95
- 20769 Shield, Wiring Protector Door LH 34.95
- K20768 Kit, Door Wiring Shields to Doors 1.30

POWER WINDOW CHROME KIT

Includes: 14523 Plate, 14524 Plate, 14528A & B Bezels
14554 Gasket, 14616 Gasket & 6-14570 Clips

14528-CK Power Window Chrome Kit (55/57) 79.95

1955/57 Thunderbird Seat Assembly with 4-Way Power Regulator

Also see Page 121 for Additional Parts



33923-S 34393-S 34394-S

- 33923-S Nut, Seat Stop 0.35
- 34393-S Nut, Locking, 5/16"- 24 1.00

Use at Seat Frame Stud to Track

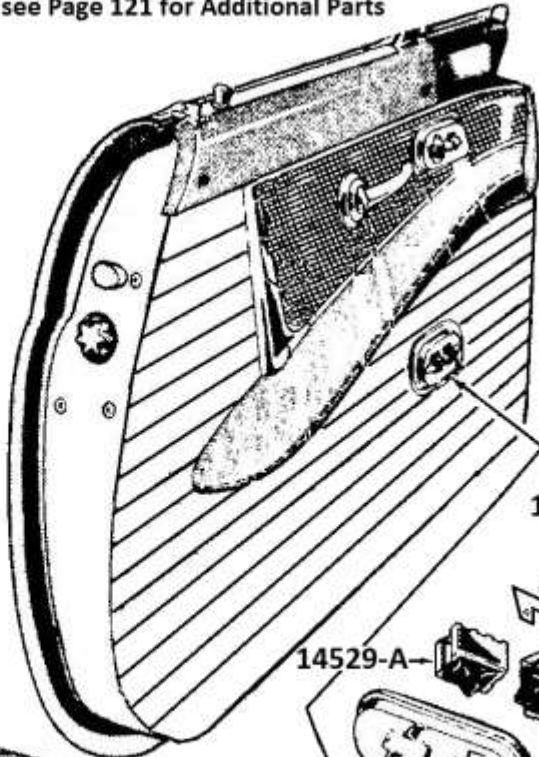
- 34394-S Nut, Locking, Seat Frame Stud 1.30
- 76034-S Pin, Power Seat at (60440, 60441) 1.50
- 76070-S Pin, Power Seat Drive to Seat Frame 1.20



- 352358-S Clip, Clevis Pin Retaining 0.90
- 352736-S Stud, Seat Frame to Floor Pan (4-Required)..... Each 3.75
- 353531-S Bolt, Seat Back Adjusting & Stop 4.85
- 353901-S Roll Pin, attaches Bar (61832) to Power Seat Tracks..... 0.90
- 353903-S Bolt, Special Shoulder Bolt to Seat Frame..... 5.85
- 356478-S Washer-Special 3/8" O.D.-3/4" Thickness-1/4"..... N/A
- 358355-S Clip, Rubber Coated, Seat Motors 2.00
- 61704-A Seat Tracks Power (RH)..... Call
- 61705-A Seat Tracks Power (LH)..... Call
- 61832 Bar Only, Power Seat Frame (55/57)..... Call



14529-A



14561



14570 14559



14529-A 14A701-C 14529-A



14685



353531-S

See Pages 193 & 194 for Seat Foam and Seat Cover Sets



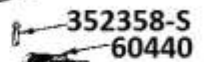
352358-S



33923-S



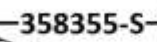
76034-S



352358-S 60440



76034-S

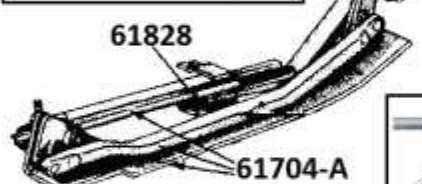


358355-S



352358-S

60402-B



61828

61704-A



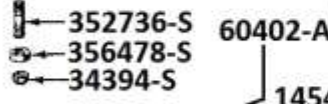
352358-S



76070-S



353901-S



352736-S

356478-S

34394-S

60402-A

358355-S

23279

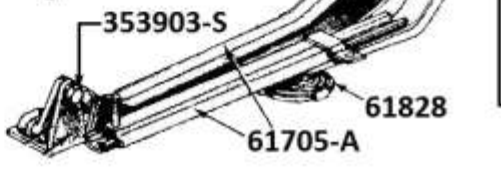


60441

76034-S



353903-S



353903-S

61828

61705-A

1955/57 Thunderbird Seat Assembly with 4-Way Power Regulator



- 14529-A Switch, Power Seat Regulator (55/57)..... 49.95
- 14547-A Power Seat Motor (New, 6-Volt) 249.95
- 14547-B Power Seat Motor (New, 12-Volt) 249.95



- 14559 Clip, Switch Straight Type (1/Car)..... 2.10
- 14570 Clip, Windows or Seat Switch Retainer V-Shape Windows (6/Car), Seat (3/Car)..... 2.10



- 14561 Gasket, Power Seat Switch 4.85



- 14685 Bezel, Power Seat Switch (Chrome)..... 32.50



- 14A701-C Crossover Bar, Power Seat Switch LH..... 7.95
- 23279 Coupling, Power Seat Motor 11.85



- 60440 Support, Vertical P/S Regulator 17.85
- 60441 Support, Horizontal P/S Regulator..... 12.95



- K60440 Kit, Support P/S Regulators 1.60



- 60402-A P/S Drive Under Seat..... Call



- 60402-B P/S Drive Behind Seat Call



- 60477-A Tube Kit, P/S Worm Gear, Contains: Plastic Tube, Cardboard Spacer and Clamp 12.90



- 61828 Spring, Power Seat Assist..... 8.95
- 33923-S Nut, Seat Stop 0.35
- 34394-S Nut, Locking, Seat Frame Stud 1.30
- 76034-S Pin, Power Seat Bottom Seat Frame 1.50
- 76070-S Pin, Power Seat Drive to Seat Frame 1.20
- 352358-S Clip, Clevis Pin Retaining..... 0.90

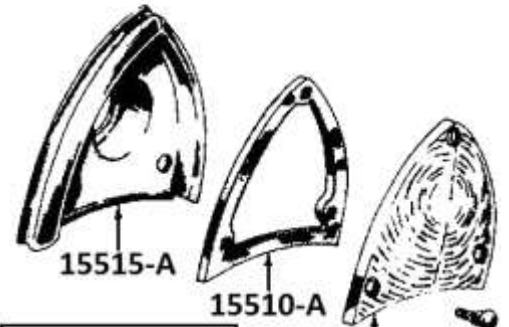
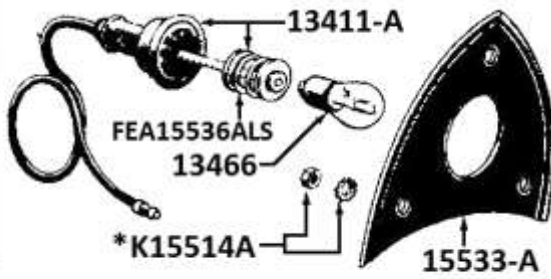


- 352736-S Stud, Seat Frame to Floor Pan (4-Required)..... Each 12.85



- 353531-S Bolt, Seat Back Adjusting & Stop 4.85
- 353901-S Roll Pin attaches Bar to Power Seat Tracks 0.90
- 353903-S Bolt, Special Shoulder Bolt to Seat Frame..... 5.85
- 358355-S Clip, Rubber Coated, Seat Motors 2.00

1955 Thunderbird Back Up Lamp Assembly & Related Parts



Also See Page 114

13411-A



15514-A
354690-S
OR
*K15514A

13411-A	Backup Light Socket	18.40
13466-1129	Bulb, Backup (55, 6-Volt)	4.29
13466-1073	Bulb, Backup (56, 12-Volt)	2.79

354690-S	Screw, Backup Lens to Lamp Body (55)	1.45
K15514A	Kit, Backup Lamp Lens to Lamp Body (55)	12.60



15510-A	Gasket, Backup Lamp Lens (55)	2.30
15514-A	Lens, Backup Lamp with FOMOCO Oval (55)	12.00
15514-C	Plate, Block-off Backup Light (55)	24.95

BACKUP LAMP KIT - 1955

Includes: 1150 Gasket, 15514 Lens, 15515 Lamp Body
15533 Gasket, 13466 Bulb, K15514A AND K15515A

15515-AK Backup Lamp Kit - Does one side (55) 67.95



15515-A	Body, Backup Lamp (55)	37.95
K15514A	Kit, Backup Lamp Lens to Body (55)	12.60
354690-S	Screw, Backup Lens to Lamp Body (55)	1.45
K15514C	Kit, Block-off Plate to Body (55)	1.60



Backup Light Wiring - Use with Standard Transmission Only

15520	Switch, Backup Lamp with S/T and O/D	64.95
-------	--	-------

Quality Replacement

15506-A	Backup Light to Switch Wiring	24.25
15525-A	Backup Light Switch Feed	10.75

Authentic Replacement

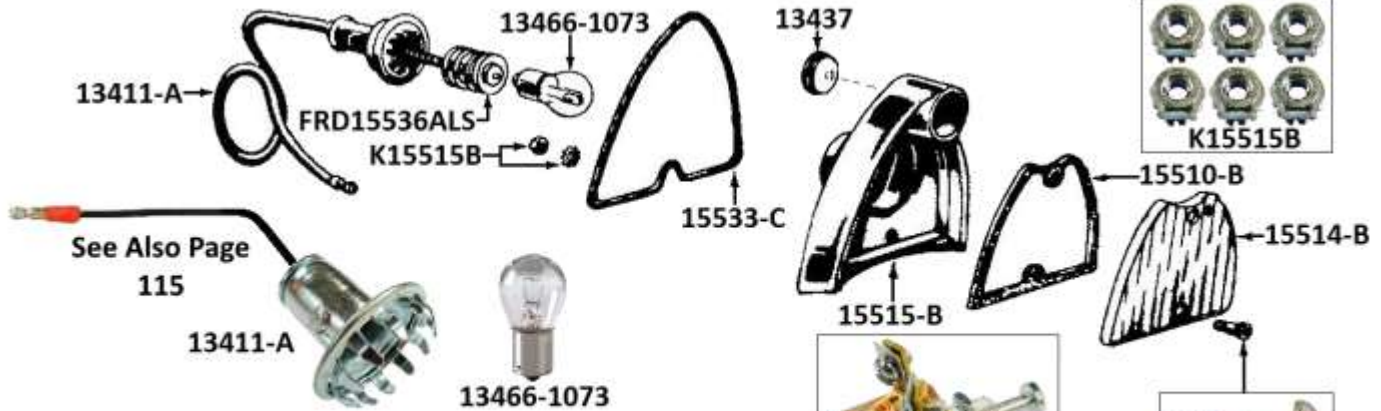
B5S15506A	Backup Light Wire, 2-Black/Red Wires	24.95
FDR15525A	Backup Light Wire, 1-Black/Red Wire	12.45

Backup Light Socket Wire - 1955

FEA15536ALS	Backup Light Socket, Wireless Socket	5.20
15506-B	Backup Light to Switch Wiring (56/57) Use with Standard Transmission Only	24.95
15525-B	Backup Light Switch Feed Wiring (56/57) Use with Standard Transmission Only	15.50



15533-A	Gasket, Backup Housing to Quarter (55)	5.29
15533-B	Gasket, Backup Housing to Quarter (55) Use with (15514C) Block-off Plate	3.60



13411-A	Backup Light Socket	18.40
13466-1073	Bulb, Backup (56, 12-Volt)	2.79



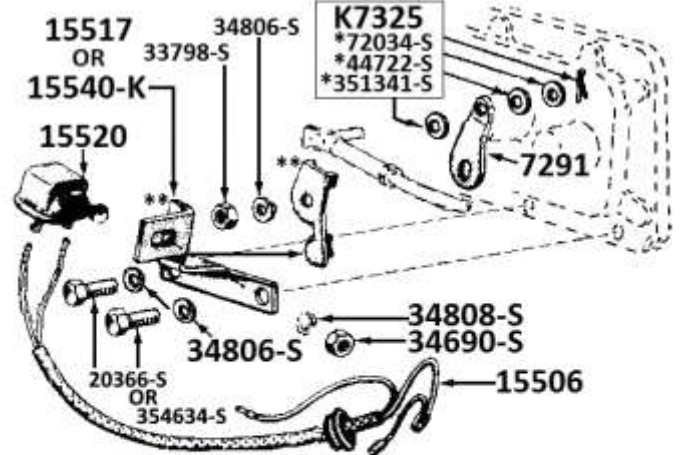
15510-B	Gasket, Backup Lamp Lens (56).....	2.30
15514-B	Lens, Backup Lamp with FOMOCO Oval	12.00
K15514B	Kit, Backup Lamp Lens to Lamp Body (56)	5.20
354973-S	Screw, Backup Lens to Lamp Body (56).....	1.30



13437	Reflector, Backup Housing (56).....	5.75
15515-B	Body, Backup Lamp (56).....	42.50
K15515B	Kit, Backup Lamp Housing to Quarter (56).....	1.80
15533-C	Gasket, Backup Housing to Quarter (56).....	2.90



15520	Switch, Backup Lamp with S/T and O/D.....	64.95
354973-S	Screw, Backup Lens to Lamp Body (56).....	1.30



15517	Bracket, Backup Switch 321 S/T or O/D.....	18.00
15540-K	Bracket, Backup Lamp Switch S/T (55/57).....	20.20

Standard Transmission Only

15506	Backup Light to Switch Wiring	See Page 115
15525	Backup Light Switch Feed	See Page 115

BACKUP LAMP KIT

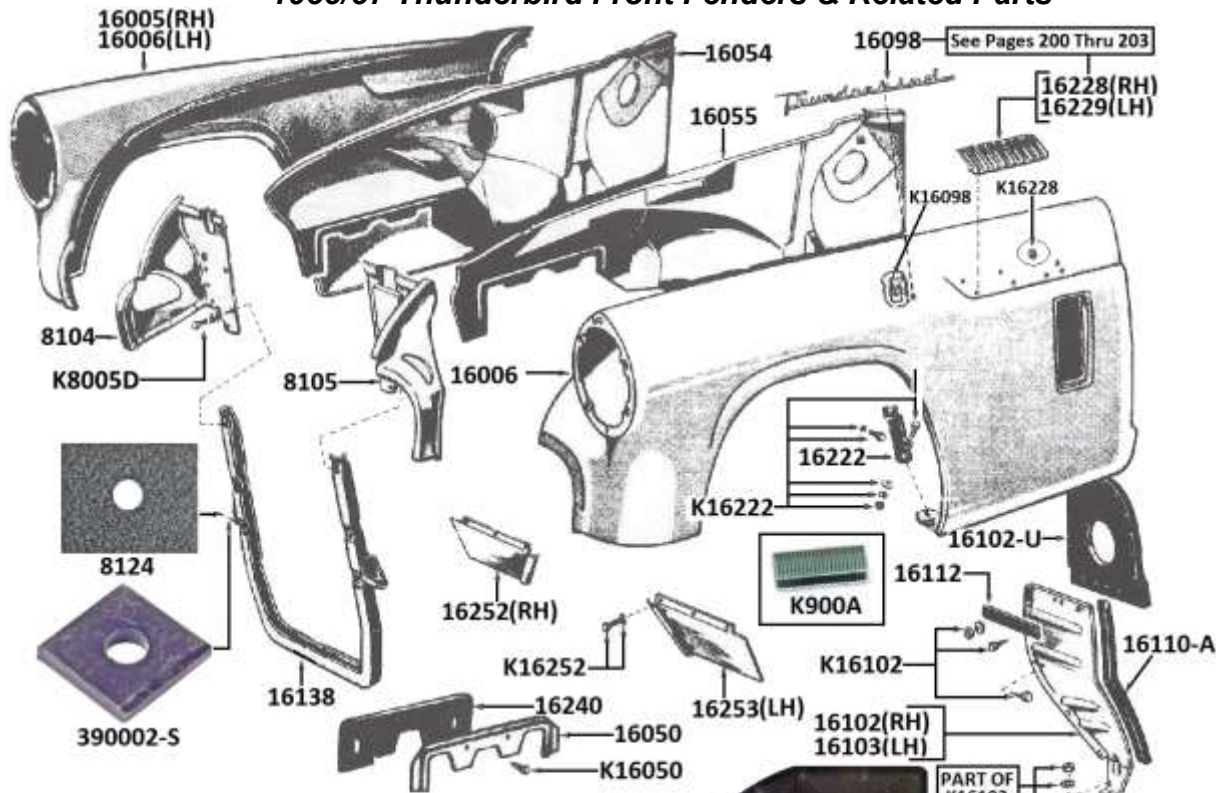
Includes: 1150 Gasket, 15514 Lens, 15515 Lamp Body
15533 Gasket, 13466 Bulb, K15514A AND K15515A

15515-BK	Backup Lamp Kit - Does one side (56)	59.95
----------	--	-------



FDR15536ALS	Backup Light Socket, Wireless Socket.....	5.20
K7325	Kit, S/T Shift Rod to Transmission Levers.....	2.65
20366-S	Bolt, 5/16" - 18 x 7/8" (56/57) 312, S/T - O/D	0.70
33798-S	Nut, 5/16"- 24	0.30
34690-S	Nut, Hexagon 7/16" - 20	0.40
34806-S	Lock washer 5/16"	0.20
34808-S	Lock washer 7/16"	0.25
44722-S	Flat Washer 5/16"	0.20
72034-S	Cotter Pin, 3/32 Diameter x 1" Long	0.25
351341-S	Wave Washer, Kick Down & Shift Rods.....	2.00
354634-S	Bolt, 5/16" - 18 x 0.90" (55/57) 292, S/T - O/D	0.75

1955/57 Thunderbird Front Fenders & Related Parts



- 16005 Front Fender (55/57, RH)..... Call
- 16006 Front Fender (55/57, LH)..... Call



- 16050 Retainer for Apron Seal (16240) (55/57)..... 20.49
- 16054 Inner Fender (55/57, RH)..... Call
- 16055 Inner Fender (55/57, LH)..... Call



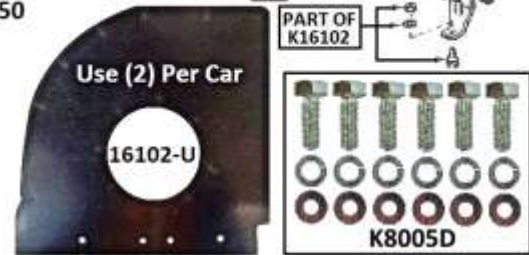
- K16050 Kit, Apron Shields(16050) to Aprons (55/57) 2.80



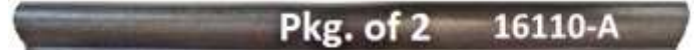
- 16102 Splash Shield, Steel Lower Rear RH (56/57)..... 54.95
- 16103 Splash Shield, Steel Lower Rear LH (56/57) 54.95



- K16102 Kit, Lower Rear Splash Pans to Apron (56/57) 6.00



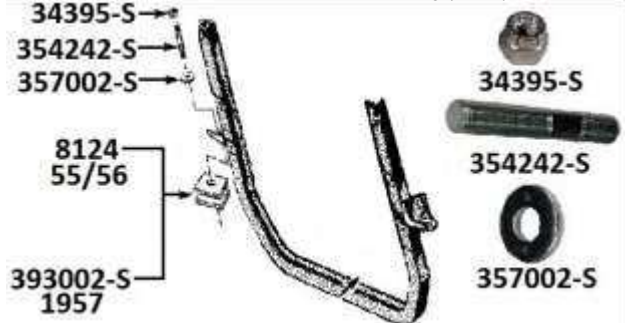
- 16102-U Shield Upper Rear Front Fender Splash, Rubber (56/57) 5.00



- 16110-A Weatherstrip Front Fender Rear Splash Shield (56/57) 6.90
- K900A Kit, Staples for Seals and Weatherstrips (Pkg of 12) 3.75



- 16112 Plate Upper Rear Splash Shield Retaining (56/57) 3.90



- 16138 Radiator Core Support (Used Original)..... Call
- K8005D Kit, Radiator Frame to Body..... 3.00
- K16138A Kit, Radiator Core Support to Frame 55/56
Includes (4)8124,(2)34395S,(2)354242S,(2)357002S..... 24.40
- K16138B Kit, Radiator Core Support to Frame 1957
Includes (2)34395S,(2)354242S,(2)357002S (4)393002S.. 15.40
- 8124 Pad, Radiator Support (55/56) (2-Per Side).....Each 3.60
- 34395-S Nut, Locking 3/8" -24 (2-Per Car).....Each 1.30
- 354242-S Stud Radiator Support to Frame (2-Per Car).....Each 3.00
- 357002-S Washer, Steel Flat (2-Per Car).....Each 1.20
- 393002-S Washer, Steel Body Mount (57) (2-Per Side).....Each 2.20



16222 Brace Fender to Apron (55/57) 8.95



K16222 Kit, Brace Fender to Apron..... 4.80
 34941-S Washer, at Fender Brace and Under Dash..... 4.00

K16222

34941-S



16240 Seal, Front Fender Apron Shield (Each) (55/57)..... 4.90



K900A

K900A Kit, Staples for Seals and Weatherstrips (Pkg of 12)..... 3.75



16252 Splash Panel Lower Apron to Frame RH (55/57)
 Does Not Include (16254) 12.95



16253 Splash Panel Lower Apron to Frame LH (55/57)
 Does Not Include (16254) 12.95



K16252 Kit, Lower Splash Shield to Apron (55/57) 6.00
 357227-S Nut & Retainer, Fender Apron at Bottom 0.50

357227-S



16254 Weatherstrip Front Fender Apron to Frame (Pair) (55/57)..... 7.75
 K900A Kit, Staples for Seals and Weatherstrips (Pkg of 12)..... 3.75

K900A

FRONT FENDER UPPER SPLASH SHIELD KIT

Includes: 16102, 16103, (2)16102U, 16110A, (2)16112, K16102, K900
 16102-K Splash Shield Kit Rear RH & LH (56/57)..... 139.95

FRONT FENDER LOWER SPLASH SHIELD KIT

Includes: 16252, 16253, 16254, K900A, K16252
 16252-K Kit Lower Splash Shield to Apron RH & LH (55/57)..... 42.95

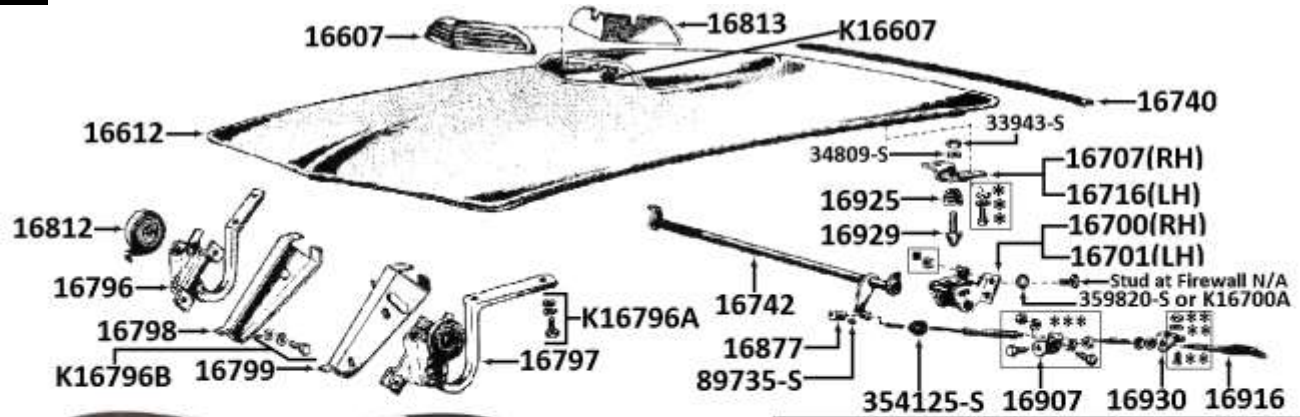
APRON / SPLASH SHIELD COMPLETE ASSEMBLIES

Complete Assembly Ready to Install
16050 Metal Retainer with 16240 Apron Seal
Already stapled onto 16050
 16050-WK Retainer Apron with 16240 Installed RH-LH.....Each 34.75

16252-WK
16253-WK

Complete Assembly Ready to Install
16252 or 16253 Lower Splash Shield with 16254 Seal
Already stapled onto 16252/16253
 16252-WK Splash Shield with 16254 Installed RH Lower (55/57)..... 26.40
 16253-WK Splash Shield with 16254 Installed LH Lower (55/57)..... 26.40

1955/57 Thunderbird Hood & Related Parts - Typical



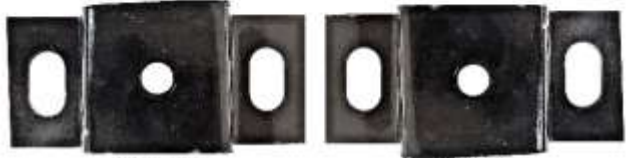
*See Kit K16707 ■ See Kit K16700 or AU2769
 See Kit K16930A * See Kit K16907



16607 Grille, Hood Scoop, Reproduction..... 79.50



K16607 Kit, Hood Scoop (16607) to Hood without Studs..... 5.45
 K16607A Kit, Hood Scoop (16607) to Hood with Studs..... 9.95
 16612 Hood (Used Original)..... Call
 16612-F Hood, Ford Original Fiberglass, *Limited Quantity* 500.00



16707 Hood Latch Plate RH 35.00
 16716 Hood Latch Plate LH..... 35.00



K16707 Kit, Hood Latch Plate to Hood (55/57) 2.40



16612-A Pad Set, Hood Anti-Rattle, Very Difficult to Install 6.85



16700 & 16701 were Cadmium Zinc—16700-A Paint Black
 16700 Hood Lock Assembly RH Call
 16701 Hood Lock Assembly LH..... Call



K16700 Kit, Hood Locks (16700 & 16701) to Firewall..... 4.00
 AU2769 Nut at (16700 & 16701)..... 0.50



K16700A Kit, Washers between Hood Locks & Firewall (8 pcs) 4.80
 359820-S Washer between Hood Locks & Firewall (Each)..... 0.70



16700-A Spring, Hood Lock Catch 5.25
 16700-B Repair Pin, Hood Latch Release..... 10.45



16740-A Pad, Hood (55) without Drive Nails 5.95
 16740-B Pad, Hood (56/57) without Drive Nails..... 7.95



K16740 351629-S

K16740 Kit, Hood Pad Drive Nails to Body 5.95
 351629-S Drive Nail..... Each 0.85



16742 Rod, Hood Lock Control (55/57, NoS) Call

ALSO SEE PAGE 135 FOR ADDITIONAL HOOD PARTS

1955/57 Thunderbird Hood & Related Parts - Typical



16758-BK Hood Bumpers & Screws (56) 5.90



16758-CK Hood Bumpers & Screws (57) 7.95

16796-A Hood Hinge (55, RH) Call

16796-B Hood Hinge (56/57, RH) Call

16797-A Hood Hinge (55, LH) Call

16797-B Hood Hinge (56/57, LH) Call



K16796A or K16796B

K16796A Kit, Hood Hinge to Hood 2.60

K16796B Kit, Hood Hinge to Bracket (16798-9) 2.60



16796-RA

16796-RB

16796-RA Rivet Kit, Hood Hinge Repair (3 Pieces) 21.00

16796-RB Hinge Repair Kit, Bolt Type (3 Pieces) Enough for One Hinge 21.00



16798-A (SHOWN)

16798-A Bracket, Hood Hinge Support RH (Ford NOS Original) 50.00

16799-A Bracket, Hood Hinge Support LH Call



16813-K Includes 16813

16812 Spring, Hood Hinge 10.50



16813 Plate Included in 16813-K

16813

16813 Hood Block off Plate Only 7.80

16813-K Hood Block off Plate Kit with Attaching Hardware and Decal 14.60



16873

16873 Spacer, Hood Ornament Stud (Ford Originals) 1.50



16877

16877 Clamp, Hood Catch Cable, Plated with Screw 5.90



89735-S

89735-S Set Screw, Use with (16877) Hood Clamp 1.00



16907

16907 Bracket, Hood Release Cable at Firewall 13.15



K16907

K16907 Kit, Hood Release Bracket (16907) to Firewall 2.00



HOOD CABLE
Also see 16877 Retainer

16916

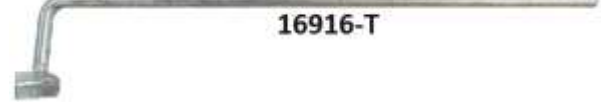
16916 Cable, Hood Release with Correct Handle 45.00

16916-P Cable, Hood Release with Pinned Handle 39.95

354125-S Grocket, Hood Release Cable 3.05



354125-S



16916-T

16916-T Emergency Hood Release Tool 16.95



16925

16925 Spring, Hood Latch 4.95



16929

16929 Dowel, Hood Lock, Cadmium Plated 12.50



33943-S

34809-S

K16929

K16929 Kit, Hood Latch Pins (16929) to Hood Brackets (16707-16716) 3.50

33943-S Nut 1.50

34809-S Lock Washer 0.30



16930-B

16930-A Bracket, Hood Release Cable (Chrome) 17.65

16930-B Bracket, Hood Release Cable (Black) 10.45

K16930 Kit, Hood Release Cable Bracket to Dash 2.40



K16930



17032
Paint Black

17032 Wrench, Jack Handle Wheel Nut Replacement..... 35.00



17032-A
Paint Black



17032-B
Paint Black

17032-B Lug Wrench is an acceptable Ford Replacement-Bent 5"

Upper Lug Wrench is Correct for all Three Years
Handle Portion is Approximately 15.5"-Bent End is 7.5" Long

17032-A Wrench, Jack Handle (Original for all Three Years) Call
17032-B Wrench, Jack Handle (Ford Replacement) Call



17080-A Jack Assembly 1955 (Used) Call
17080-B Jack Assembly 1956 (Used) Call
17080-C Jack Assembly 1957 (Used) Call



17080-P

17080-P Pad, Jack Storage, Glue to rear wheel housing
Between wheel house and jack shaft..... 3.00



17083

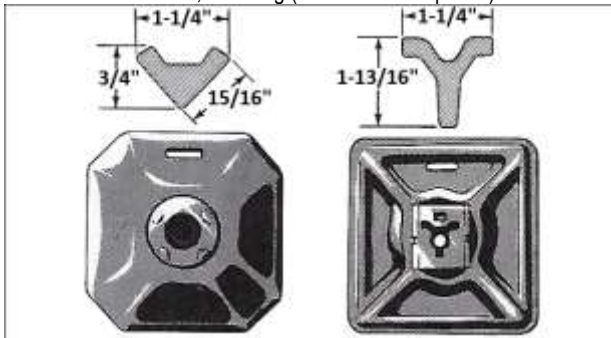
17083 Jack Strap 15.70



17084-A

17084-C

17084-AC Jack Column 55, 31" Long (Were cadmium plated)..... Call
17084-BC Jack Column 56, 31" Long (Were cadmium plated)..... Call
17084-CC Jack Column 57, 31" Long (Were cadmium plated)..... Call



17088-ABD

17088-ABD Jack Base (55, AB-D Stamping) Round Receptacle..... Call



17088-ABN

17088-ABN Jack Base (55, AB-N Stamping) Triangle Receptacle Call



17088-ABL

17088-ABL Jack Base, (56, AB-L Stamping)..... Call



17088-AJA

17088-AJA Jack Base, (57, AJ-A Stamping)..... Call

17088-AJC Jack Base, (57, AJ-C Stamping)..... Call

56/57 Have a (A-Stamped on Opposite Side—Paint Black)



17115-J

17115-J J-Hook (57, Original - Paint Black)..... Call

17115-JR J-Hook (57, Reproduction - Paint Black)..... 160.00

17115-RA Jack Housing Ratchet (55 - Paint Black)..... Call



17115-RA



17115-RB

17115-RB Jack Housing Ratchet (56 - Paint Black)..... Call



17115-RC

17115-RC Jack Housing Ratchet (57 - Paint Black)..... Call



1957 JACK STORAGE

1955/1957 Thunderbird Speedometer & Related Parts

Thunderbird Speedometers were Registered at 140 MPH



17255-A

17255-B

- 17255-A Speedometer Rebuilt Exchange (55/56) Call
- 17255-B Speedometer Rebuilt Exchange (57) Call
- Core Deposit on Above 200.00



17279

17279 Angle Drive was used on all 1955 with F/M-O/D-S/T 1956 with F/M-S/T Transmissions Angle Drive were not used on 1956 T-Birds with Overdrive-312

Use 17260-C Speedometer Cable

Less Teeth Speeds up the Speedometer while More Teeth Slows it Down

- 17279 Speedometer Angle Drive (55/56) 419.00



55/56
17260-A

57 F/M-S/T-292
17260-B

- 17260-A Speedometer Cable & Housing (55/56) 49.95
- 17260-B Speedometer Cable & Housing (57) F/M S/T-292 79.95



56/57 S/T-312
56/57 With Overdrive
17260-C

01694

01695

- 17260-C Speedometer Cable & Housing (56/57) S/T 312, O/D 79.95
- 17262 Speedometer Core Repair Kit 18.00
- 01694 Grommet, Speedometer Cable S/T-O/D 6.25
- 01695 Grommet, Speedometer Cable F/M 1.90

SPEEDOMETER GEARS-COLORS CAN VARY



17271-B
RED

17271-C
ORANGE

17271-D
GREEN

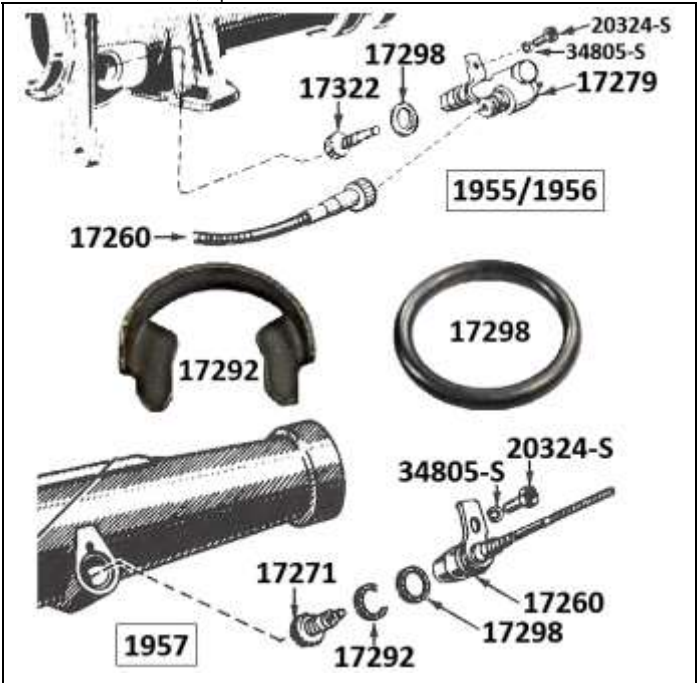
17271-E
YELLOW

- 17271-A Gear, Speedometer Driven, 18-Tooth, Type 1 19.95
- 17271-B Gear, Speedometer Driven, 19-Tooth, Type 1 (57) F/M 3:10, S/T 292 3:56 Ratio 14" Tires 21.95
- 17271-C Gear, Speedometer Driven, 20-Tooth, Type 1 Call
- 17271-D Gear, Speedometer Driven, 21-Tooth, Type 1 Call
- 17271-E Gear, Speedometer Driven, 22-Tooth, Type 1 24.95
- 17271-F Gear, Speedometer Driven, 23-Tooth, Type 1 Call



17322-C

- 17322-A Gear, Speedometer Driven, 19-Tooth, Type 2 (55/56) 3:73 Ratio S/T 15" Tires (55/56) 3:31 Ratio F/M 15" Tires 21.95
- 17322-B Gear, Speedometer Driven, 20-Tooth, Type 2 (55) 3:92 Ratio O/D 15" Tires 21.95
- 17322-C Gear, Speedometer Driven, 21-Tooth, Type 2 21.95
- 17322-D Gear, Speedometer Driven, 22-Tooth, Type 2 (56) 3:92 Ratio O/D 15" Tires (57) 3:56 Ratio S/T 14" Tires (57) 3:70 Ratio O/D 14" Tires 21.95



1955/1956

1957



17285-B

17285-D

- 17285-A (55/56) S/T, (55/292) with Overdrive (8M17285) Call
- 17285-B (57) with Fordomatic Transmission (B7A17285B) Call
- 17285-C (57/292) with Standard Transmission (B7A17285C) Call
- 17285-D (55/56) with Fordomatic Transmission (56/57) 312 with S/T - O/D (MC17285A) Call

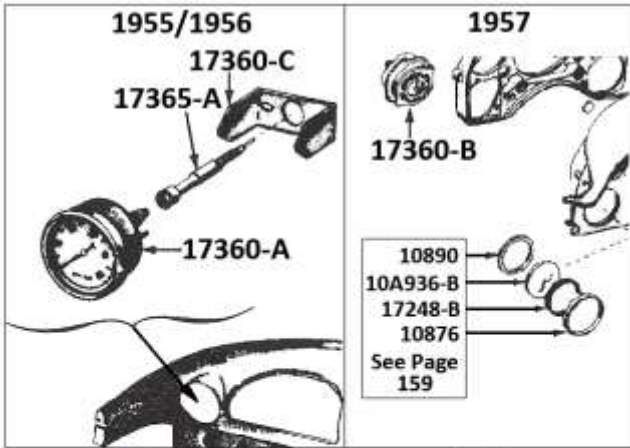


17306

55/56 Only

- 17292 Clip, Speedometer Gear (57) 3.30
- 17298 Oil Seal Speedometer Gear Bearing 2.90
- 17306 Connector & Spring Clip Assembly, Speedometer Call
- 20324-S Bolt, Speedometer Cable to Extension Housing 0.60
- 34805-S Washer used at Speedometer Cable 0.20

1955/57 Thunderbird Tachometer & Related Parts



17361-N Needle, Tachometer (55/56) 11.95



19000-G Paint, Red/Orange for Needle Pointer 3.50
Tachometer Needle should be Painted Fluorescent Orange



17374 Gear, Tachometer Driven on Each Tachometer Cable 38.00



17377 Gear, Tachometer Driving, Inside Distributor Call
 17383 O-Ring, Tachometer Driven Oil Seal 1.00



17360-A Tachometer, Rebuilt Exchange (55/56) Call
 17360-B Tachometer, Rebuilt Exchange (57) Call
Core Deposit on (17360-A & 17360-B)..... 200.00



17360-C Bracket, Retains Tachometer to Dash (55/56) 12.45



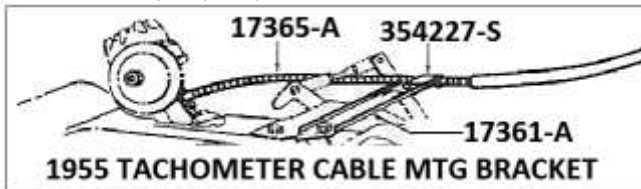
17360-H Housing, Bezel Tachometer (55/56, Used) Call
 17360-HC Housing, Bezel Tachometer (55/56, Re-Chromed) Call
 17361-C Face, Tachometer without Recessed Numbers 20.90
 17361-TF Face, Tachometer with Recessed Numbers Like Original (55/56) 21.00



354227-S Clip, Tachometer Cable to (17361-A) Bracket 2.35
 352962-S Grommet, Tachometer Cable 4.00
 K17361A Kit to Attach (354227-S) 0.60



17365-A Cable, Tachometer (55) 65.00



1955 TACHOMETER CABLE MTG BRACKET



17361-A Bracket and Clip, Tachometer Cable (55) 11.95



17365-B Cable, Tachometer (56/57) 65.00
 14450 Clip, Tachometer Cable, Rubber Coated (56/57) 1.35
 31497-S Screw, Tachometer Cable Clip (56/57) 0.30

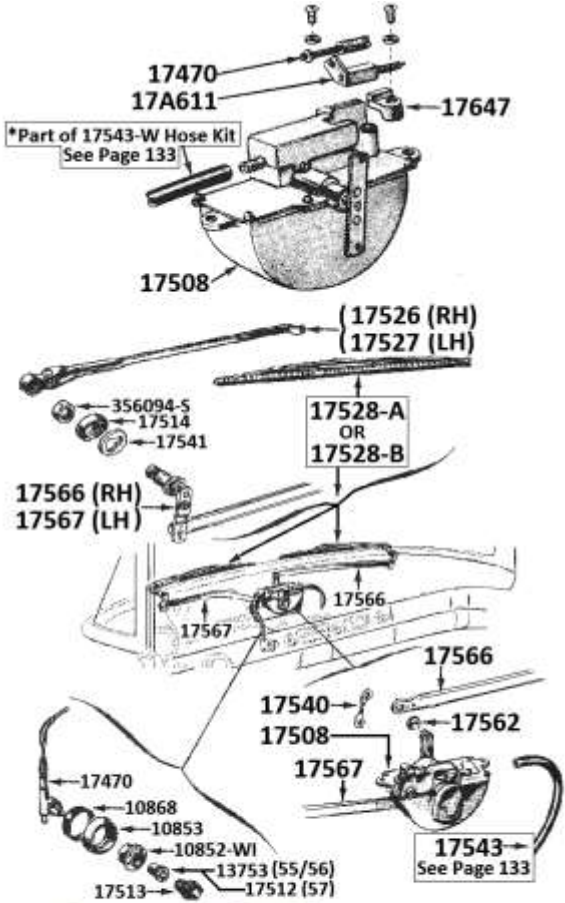


17508



K17508

17508	Wiper Motor, Vacuum (Rebuilt Original)	149.95
	Core Charge.....	100.00
K17508	Kit, Wiper Motor (17508) to Body.....	1.40



10852-WI

10853

10868

10852-WI	Dash Bezel Inner Windshield Wiper Control.....	17.75
10853	Bezel Dash Knobs Outer	14.50
10868	Pad between Dash Outer Bezel and Dash.....	1.70



13753

17512

17513

13753	Nut, Wiper Control (55/56).....	12.95
17512	Nut, Wiper Control (57).....	12.95
17513	Knob, Wiper Control (Black/Chrome).....	15.75



17513-T

17513-T	Wiper Nut Socket.....	10.95
---------	-----------------------	-------



17450

17450	Retainer, Wiper Arms to Vacuum Motor.....	9.45
-------	---	------



17470



17509-KS

17470	Wiper Switch Assembly, Dash to Wiper Motor.....	59.68
17470-A	Same as Above (Used Original).....	Call
17509-KS	Switch for Electric Wiper Motor Kit 17509-K.....	35.00



17514



17541



356094-S

Also See
356094-C

17514	Bezel Wiper Arm (Chrome Pair).....	27.95
	Wiper Arms All High Polished Stainless	
17541	Pad, Wiper Arm to Pivot Shaft Outer (Leather).....	2.40
356094-C	Nut, Wiper Pivot Shaft (Chrome).....	12.90
356094-S	Nut, Wiper Pivot Shaft (Stainless).....	7.50



17508-E



17562



17647

17508-E	Intermittent Electric Wiper Switch Only.....	209.00
17562	Grommet, Wiper Arm (Pair).....	2.40
17647	Guide Windshield Washer Control Cable (57).....	Call
17A611	Cable, Windshield Washer Control (57) Use Only with 17664-E Type Washer Pump.....	Call

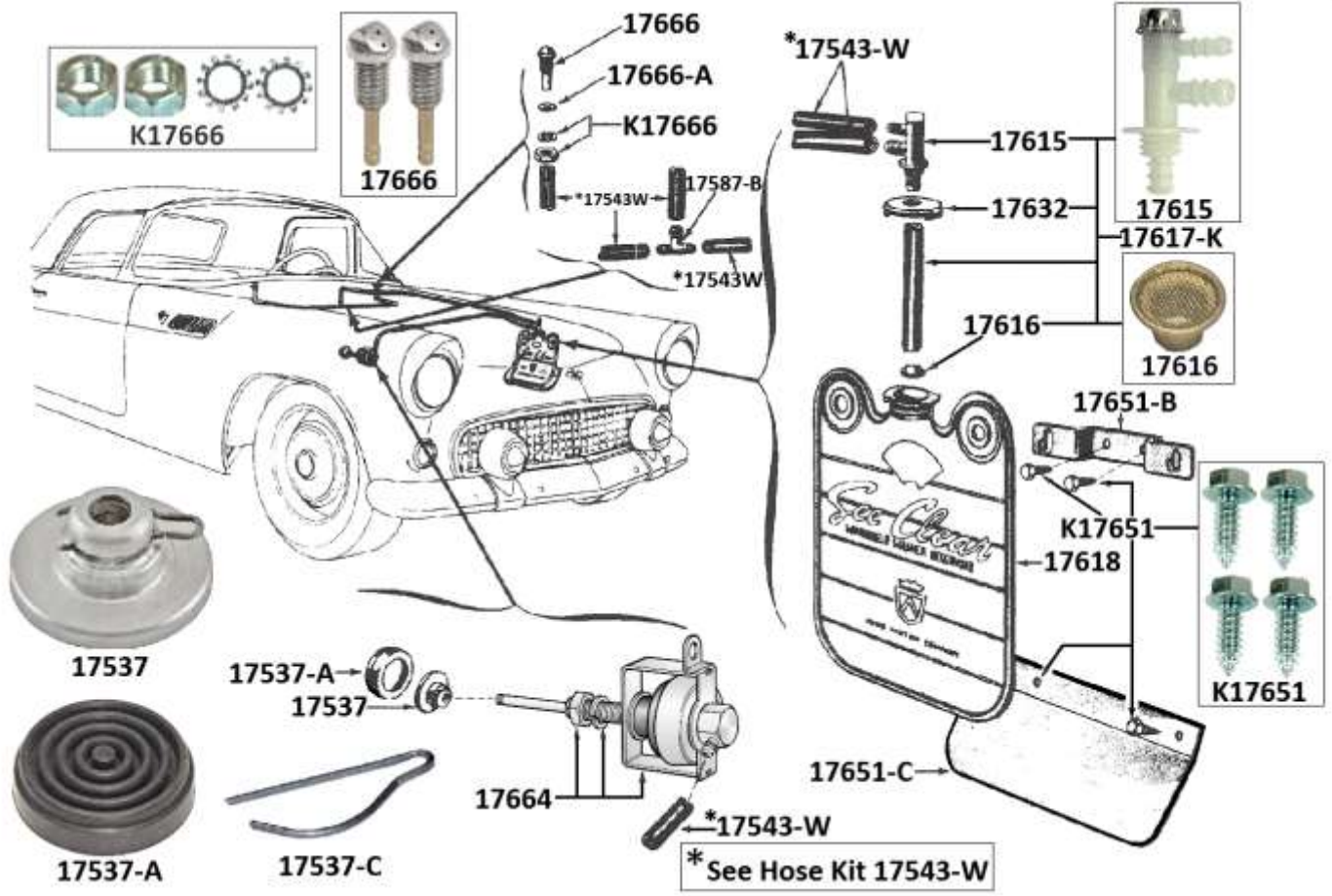
ELECTRIC WIPER CONVERSION



12-Volt

17508-B	Electric Wipers with Squirter.....	379.00
17508-C	Electric Wipers with Interval Option.....	479.00
17508-D	Electric Wipers with Squirter / Interval Option.....	495.00
17509-K	Electric Wipers without Squirter.....	315.00

1955/57 Wiper & Washer Related Parts



WIPER ARMS - WIPER BLADES - WIPER LINKAGE

- 17526-A Arm, Wiper Blade, Wrist Connection (55, RH)..... 31.45
- 17527-A Arm, Wiper Blade, Wrist Connection (55, LH)..... 31.45
- 17526-B Arm, Wiper Blade, Bayonet Connection RH 31.45
- 17527-B Arm, Wiper Blade, Bayonet Connection LH..... 31.45

- 17528-A Windshield Wiper Blade, Excellent Reproduction of Original Trico RB12, 2 with Rubber End Tips Wrist Connection (55) Each 31.45
- 17528-B Wiper Blade, Same as 17528-A but with Bayonet Connection (56/57) Each 31.45
- 17528-BLD Wiper Blade Rubber Only, With "Bumps" (Each)..... 8.00

WIPER ARM & BLADE KITS

- 17528-AK Kit, 2 Arms & 2 Blades, 17526-A, 17527-A, (2) 17528-A **You save \$10.00** 125.80
- 17528-BK Kit, 2 Arms & 2 Blades, 17526-B, 17527-B, (2) 17528-B **You save \$10.00** 125.80

- 17566 Linkage, Wiper Pivot (Used RH)..... Call
- 17567 Linkage, Wiper Pivot (Used LH)..... Call



1955/1957 Thunderbird Windshield Washer Parts



- 17537 Pedal, Windshield Washer, with Clip (No Pad) 10.45
- 17537-A Pad, Windshield Washer Pedal..... 7.75
- 17537-C Clip, Holds Washer Pedal to Shaft..... 1.10



- 17543-C Grommet, Wiper Vacuum Hose 1.60
- 17580-A Grommet, Washer Hose Through Dash..... 1.50
- 17587-A Tee, Washer Squirter Hose..... 1.75



- 17587-B Tee, Vacuum Hoses to Heater & Wiper Motor..... 2.00
- 17A601 Tee, Vacuum Hoses to Heater & Wiper Motor (Orig) Call



- 17615 Tee, Washer Reservoir to Hoses 16.85
- 17616 Filter, Washer Fluid 6.10
- 17632 Cover, Washer Reservoir 3.50

WASHER TEE KIT / 17617-K



Includes: 17543,17615,17616,17632

- 17617-K Washer Tee Kit..... 28.45

WASHER HOSE KIT



- 17543-W Washer Hose Kit for Wipers 9.95

WINDSHIELD WASHER RESEVOIRS



- 17618-A Washer Reservoir, See Clear (55) 29.85
- 17618-B Washer Reservoir, See Clear (56) 29.85
- 17618-C Washer Reservoir, See Clear (57) 29.85

WINDSHIELD WASHER RESERVOIR KIT



INCLUDES THE FOLLOWING
1-17618, RESERVOIR, 1-17617K, 1-17543W,
1-17651B, 1-17651C, 1-K17651

- 17618-AK Washer Reservoir Kit, See Clear (55) 84.95
- 17618-BK Washer Reservoir Kit, See Clear (56) 84.95
- 17618-CK Washer Reservoir Kit, See Clear (57) 84.95



- 17651-B Washer Bag Holder Only..... 12.75







- 17651-C Washer Bag Lower Plate Only 6.95
- K17651 Kit, Washer Bag Holder (17651B) to Apron
and Lower Plate (17651-C) to Apron 1.40



WASHER BAG HOLDER & PLATE KIT

- 17651-AK Windshield Washer Bag Holder & Plate Kit
You Save \$1.00 20.10

1955/57 Wiper Washer Parts

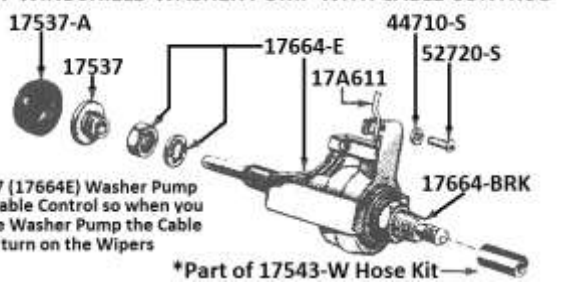





17537	Washer Pump Assembly (55/56)	
17537-A	Pad, Washer Pump	
17537-C	Clip, Holds Washer Pedal to Shaft	
17664-C	Washer Pump Assembly (55/56)	
	Replacement for (57)	79.98
17537	Pedal, Windshield Washer with clip (No Pad)	10.45
17537-A	Pad, Windshield Washer Pedal	7.75
17537-C	Clip, Holds Washer Pedal to Shaft	1.10




17664-ARK	Repair Kit, Washer Pump, Aluminum (90 Degree Outlet)	45.00
17664-BRK	Repair Kit, Washer Pump, Aluminum (Straight Outlet)	Call




1957 WINDSHIELD WASHER PUMP WITH CABLE CONTROL



The 1957 (17664E) Washer Pump has the Cable Control so when you Pump the Washer Pump the Cable will turn on the Wipers

*Part of 17543-W Hose Kit

17537-A	Washer Pump Pad	
17537	Washer Pump Pedal	
17664-E	Washer Pump Assembly (57)	Call
17664-BRK	Washer Pump Repair Kit (Straight Outlet)	
44710-S	Washer Pump Spring	
52720-S	Washer Pump Spring	
17A611	Washer Pump Nut	

17664-A	Repair Kit, Washer Pump - Includes Bellow, 90 Degree Outlet with Spring	36.95
17664-B	Spring Only Inside Washer Pump (Stainless)	0.80
17664-BK	Bellow Only Washer Pump	7.50





17666	Nozzle, Washer Jet - Like Original (Pair)	29.95
17666-A	Seal, Washer Jet Nozzle (Package of 2)	0.90
K17666	Kit to Attach Washer Nozzles (Does Both)	0.90

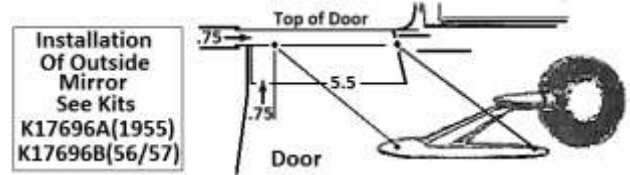
1955/57 Exterior & Interior Mirrors





17696-A	Outside Mirror (55)	45.00
17696-ACV	Outside Mirror (55, Convex Glass)	49.95
17696-B	Outside Mirror (56/57)	45.00
17696-BCV	Outside Mirror (56/57, Convex Glass)	49.95
17696-C	Outside Mirror Head Only (Stainless Steel)	17.95



17696-T	Outside Mirror Wrench	9.99
---------	-----------------------	------



K17696A	Kit, Rear View Mirror to Door (55)	1.80
K17696B	Kit, Rear View Mirror to Door (56/57)	1.20

17696-D Gasket, Outside Mirror Base to Door (Paper) 2.00

17696-E Gasket, Outside Mirror Base to Door (Rubber Flat) 2.85

17696-R Gasket, Outside Mirror to Door (Rubber with Bead) 5.60

No Gasket was Originally used under Outside Mirror



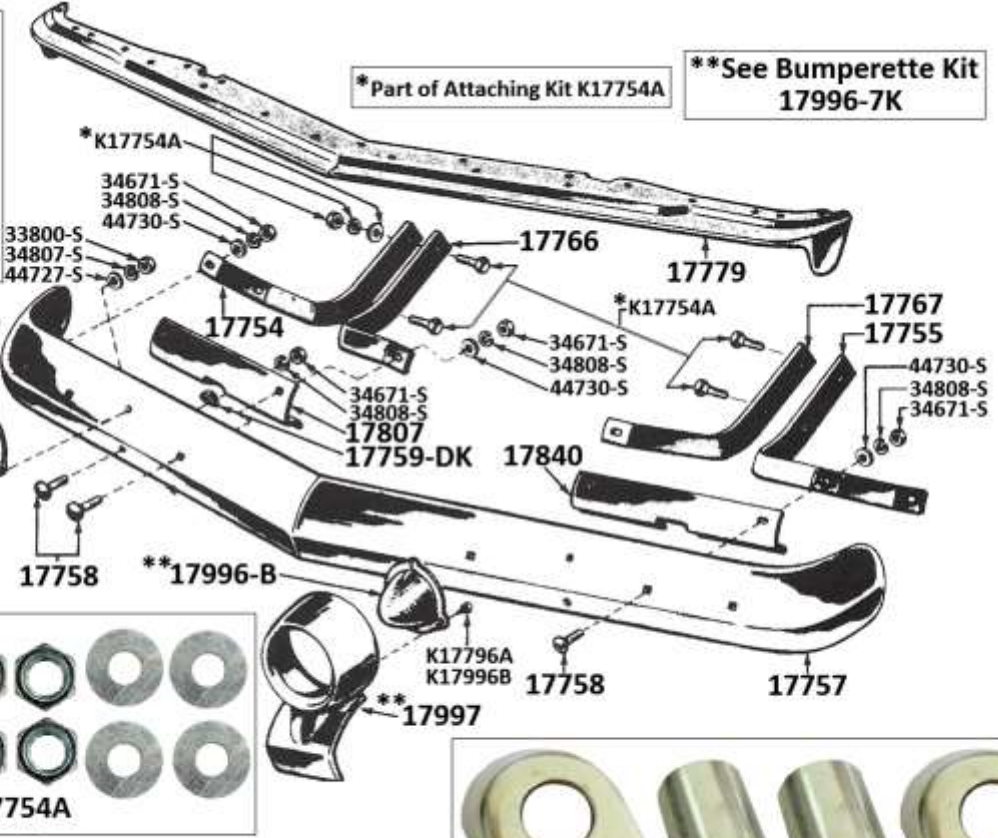
17700-A	Mirror, Inside 2_3/4" Arm (55)	32.25
17700-B	Mirror, Inside 3_1/16" Arm (56/57)	32.25




17702-A	Mirror Base & Stud, Inside (55)	14.00
17702-B	Mirror Base & Stud, Inside (56/57) with FOMOCO	15.50
K17702	Kit, Inside Mirror to Header and Tensioning (55/57)	2.00



17996-B



17736	Bracket, Front License Plate (55/56)	15.00
17736-N	Bracket, Front License Plate (55/56, NOS Original)	20.00
17754-A	Brace, Front Bumper Outer RH (55/56)	57.95
17755-A	Brace, Front Bumper Outer LH (55/56)	57.95
K17754A	Kit, Front Bumper Braces to Frame (55/56)	9.60
17757-A	Front Bumper (Original) (55/56)	Call
17757-R	Front Bumper (Reproduction) (55/56)	Call

17759-DK	Sleeve & Spacers, Bumper Guards (55/56)	
	One Set does Two Bumper Guards	9.35
17766-A	Brace, Front Bumper Inner RH (55/56)	57.95
17767-A	Brace, Front Bumper Inner LH (55/56)	57.95
17779-A	Deflector, Front Bumper (Used or NOS) (55/56)	Call
17779-F	Deflector, Front Bumper (Fiberglass) (55/56)	Call
17807-A	Jacking Plate, Front Bumper RH (55/56)	42.95
17840-A	Jacking Plate, Front Bumper LH (55/56)	42.95
17996-A	Bumper Guard, Front RH (Used or NOS) (55/56)	Call
17996-B	Insert, Front Bumper Guard RH/LH (Original) (55/56)	Call
17997-A	Bumper Guard, Front LH (Used or NOS) (55/56)	Call

BUMPER GUARDS—REPRODUCTION 55/56

BUMPER BOLTS



BUMPER BOLT KIT - FINE THREAD LIKE ORIGINAL		
17758-A	Bumper Bolt Kit Front and Rear (55)	73.95
17758-B	Bumper Bolt Kit Front and Rear (56)	73.95
BUMPER BOLT KIT - COURSE THREAD		
17758-D	Bumper Bolt Kit Front and Rear (55)	67.95
17758-E	Bumper Bolt Kit Front and Rear (56)	67.95
SINGLE BUMPER BOLTS		
17758-AA	Bumper Bolt 7/16"-14 x 1-1/4" Course Thread	4.90
17757-BA	Bumper Bolt 7/16"-14 x 1-1/2" Course Thread	4.90
17758-DA	Bumper Bolt 7/16"-20 x 1-1/4" Fine Thread	5.60
17758-EA	Bumper Bolt 7/16"-20 x 1-1/2" Fine Thread	5.60
17758-FA	Bumper Bolt 7/16"-20 x 1-3/4" Fine Thread	5.60
17758-GA	Bumper Bolt 7/16"-20 x 2" Fine Thread	5.60
BUMPER BOLT KIT - FRONT ONLY 55/56		
17758-5CF	Bumper Bolt Kit Course Thread (55/56)	39.95
17758-5FF	Bumper Bolt Kit Fine Thread (55/56)	43.95



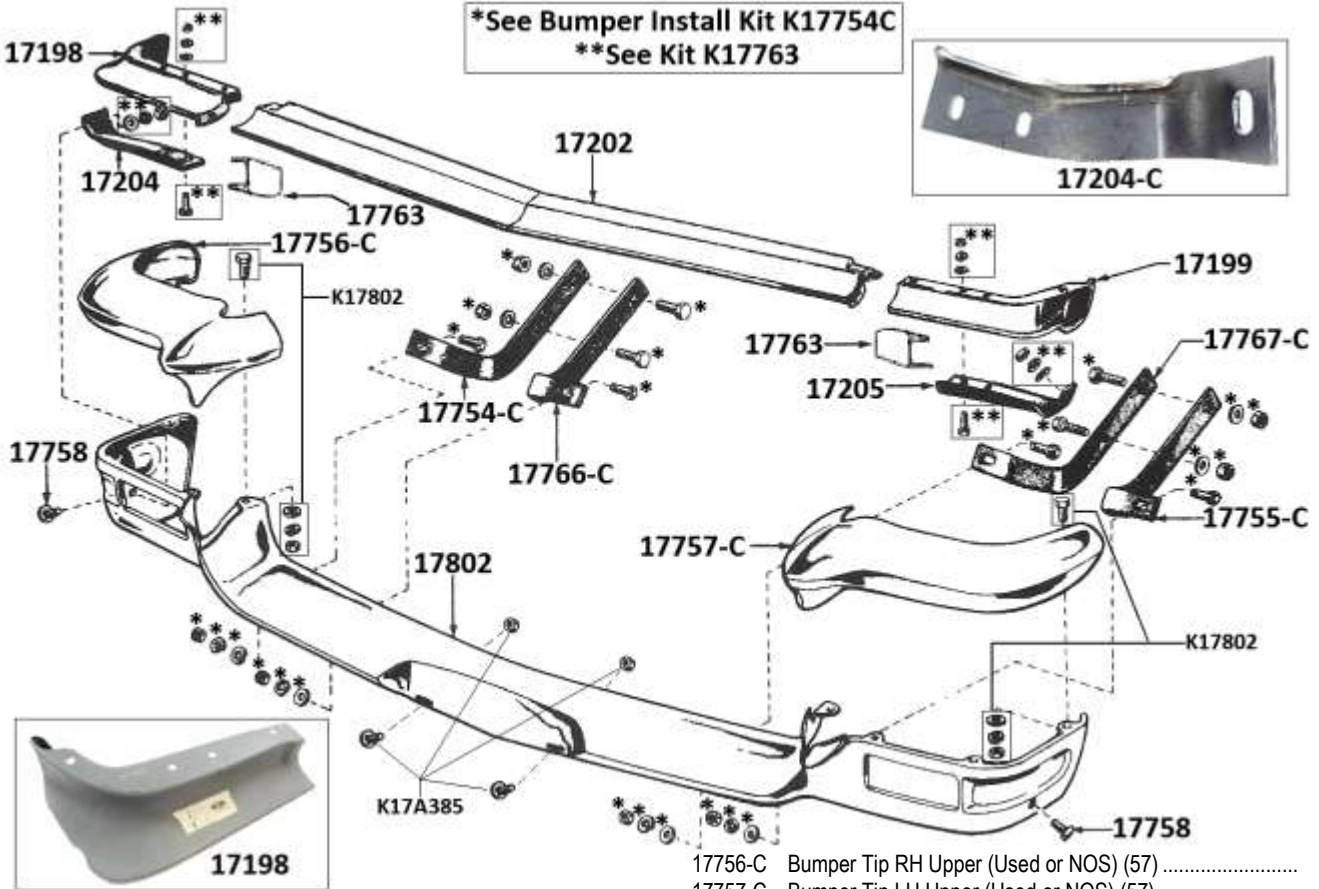
17996-7K	Bumper Guard Front RH/LH Set (NEW) (55/56)	895.00
----------	--	--------



K17996A	Kit, Bumperette Centers to Bumperette (55/56)	1.20
---------	---	------

1957 Thunderbird Front Bumper and Related Parts

*See Bumper Install Kit K17754C
**See Kit K17763



17198	Deflector End, Front RH (Used or NOS) (57)	Call
17198-F	Deflector End, Front RH (Fiberglass) (57)	0.00
17199	Deflector End, Front LH (Used or NOS) (57)	Call
17199-F	Deflector End, Front LH (Fiberglass) (57)	0.00
17202	Deflector Center Stone (Chrome) (57)	Call
17204-C	Brace, Front Bumper End RH (57)	53.95
17205-C	Brace, Front Bumper End LH (57)	53.95
17754-C	Brace, Front Bumper Outer RH (57)	57.95
17755-C	Brace, Front Bumper Outer LH (57)	57.95

17756-C	Bumper Tip RH Upper (Used or NOS) (57)	Call
17757-C	Bumper Tip LH Upper (Used or NOS) (57)	Call



17763	Space Between (17198/9 and 17204/5)	17.50
K17763	Kit, Spacer to Fender and Braces (57)	18.95

BUMPER BOLTS



BUMPER BOLT KIT - FINE THREAD LIKE ORIGINAL		
17758-C	Bumper Bolt Kit Front and Rear (57)	31.95
BUMPER BOLT KIT - COURSE THREAD		
17758-F	Bumper Bolt Kit Front and Rear (57)	26.95
BUMPER BOLT KIT, FRONT ONLY - 1957		
17758-7CF	Bumper Bolt Kit Course Thread (57)	8.95
17758-7FF	Bumper Bolt Kit Fine Thread (57)	10.95

SEE PAGE 135 FOR SINGLE BUMPER BOLTS



17766-C	Brace, Front Bumper Inner RH (57)	57.95
17767-C	Brace, Front Bumper Inner LH (57)	57.95
17802	Bumper, Front Lower (Used or NOS) (57)	Call

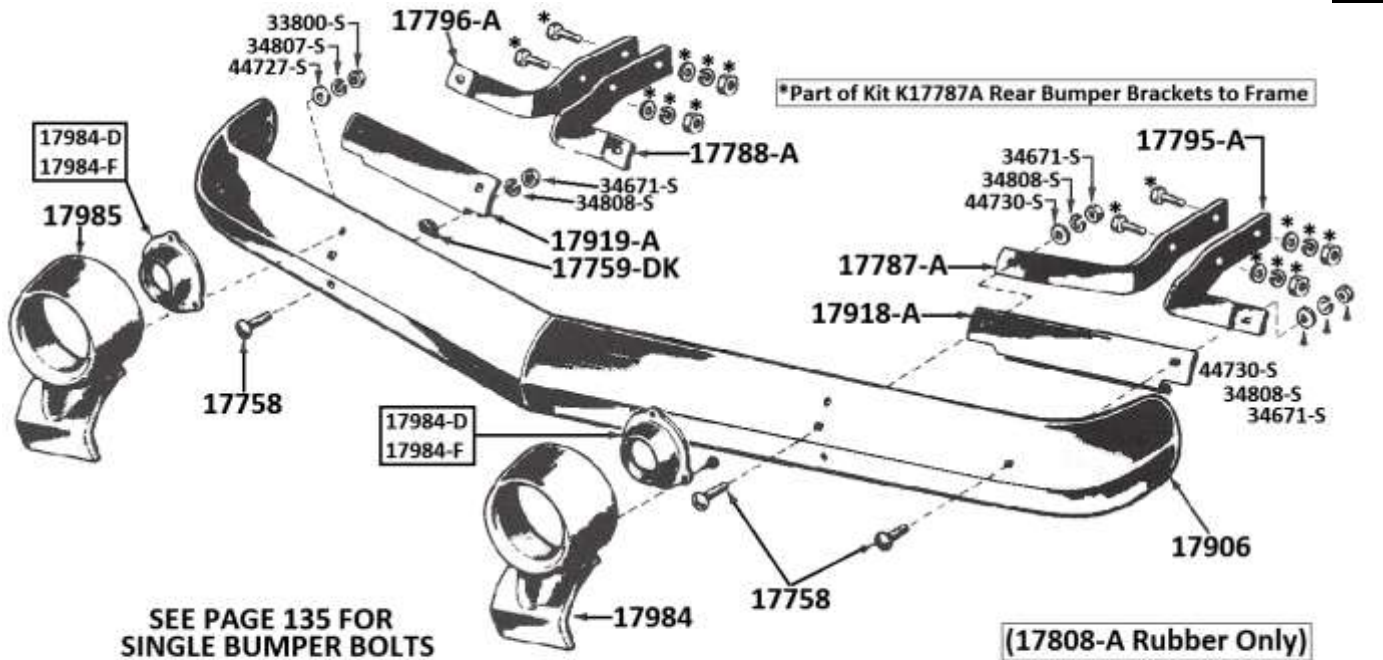


K17802	Kit, Front Bumper Tips to Lower Bumper (57)	9.95
K17A385	Kit, License Plate to Front or Rear Bumper (57)	1.40



K17754C	Kit, Front Bumper Braces to Frame (57)	14.80
---------	--	-------

1955 Thunderbird Rear Bumper and Related Parts



SEE PAGE 135 FOR SINGLE BUMPER BOLTS



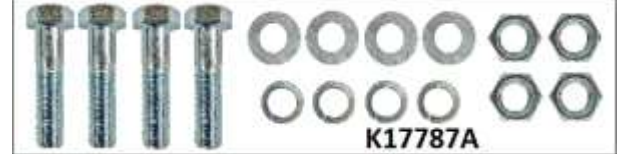
17808-AC Deflector, Complete Metal & Rubber
Goes Between Body & Rear Bumper (55)..... 139.95

BUMPER BOLT KIT - COURSE THREAD	
17758-5CR	Bumper Bolt Kit Rear Only (55)..... 29.95
BUMPER BOLT KIT - FINE THREAD LIKE ORIGINAL	
17758-5FR	Bumper Bolt Kit Rear Only (55)..... 32.95
BUMPER BOLT KIT - FRONT AND REAR	
17758-A	Bumper Bolt Kit Fine Thread (55)..... 73.95
17758-D	Bumper Bolt Kit Course Thread (55)..... 67.95



17759-DK Sleeve & Spacers, Bumper Guards (55/56)
One Set does Two Guards 9.35

17787-A	Brace, Rear Bumper, Inner RH (55).....	57.95
17788-A	Brace, Rear Bumper, Inner LH (55).....	57.95
17795-A	Brace, Rear Bumper, Outer RH (55).....	57.95
17796-A	Brace, Rear Bumper, Outer LH (55).....	57.95
17906-A	Bumper Rear (Used or NOS) (55).....	Call
17918-A	Jacking Plate Rear RH (55).....	43.95
17919-A	Jacking Plate Rear LH (55).....	43.95



K17787A Kit, Rear Bumper Braces to Frame (55) 7.80



17808-A Rubber Only for (17808-AC) (55)..... 7.85
K900A Kit, Staples to Attach (17808-A) Rubber to Metal..... 3.75



17984-A Bumper Guard Rear RH (Used or NOS) (55)..... Call
17985-A Bumper Guard Rear LH (Used or NOS) (55)..... Call
17996-7K Bumper Guard Set Rear use on (55), Must Change Inserts
Call for more Info on using at Rear on a 1955..... 895.00

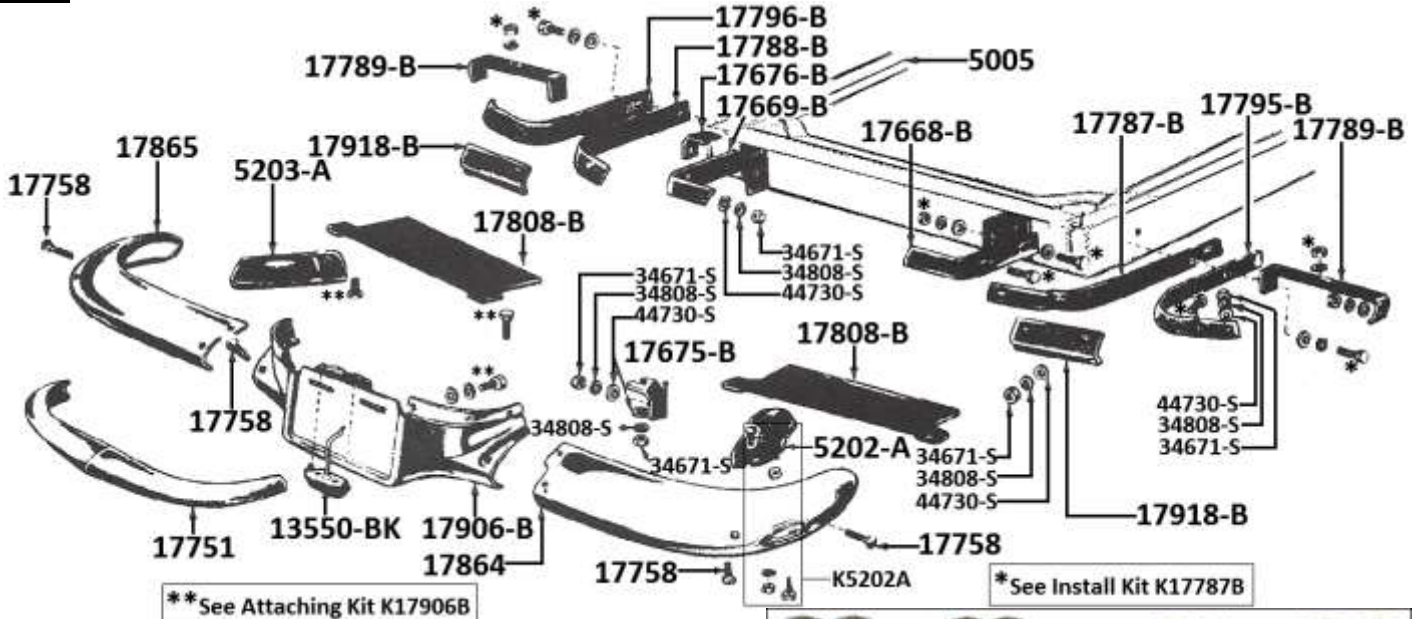


17984-D Insert, Bumper Guard RH/LH Rear (Used or NOS) (55) Call
17984-F Insert, Bumper Guard RH/LH Rear (Used or NOS) (55) Call



K17984A Kit, Bumper Guard Insert to Bumper Guard (55) 1.20

1956 Thunderbird Rear Bumper and Related Parts



**See Attaching Kit K17906B

*See Install Kit K17787B

Also See Page 43		
5202-A	Deflector, Exhaust RH (56)	Call
5203-A	Deflector, Exhaust LH (56)	Call
K5202A	Kit, Exhaust Deflectors to Bumper (56)	8.40
Also See Page 110		
13550-BK	License Lamp Assembly (56)	69.95
17751	Rear Bumper Upper Center (56)	Call
17751-A	Bumper Strip Chrome Plastic (56)	5.75



K17787B Kit, Rear Bumper Braces to Frame (56) 14.40



17668-B Brace, Rear Bumper Center RH (56) 42.95
 17669-B Brace, Rear Bumper Center LH (56) 42.95



17789-B Brace, Rear Bumper, Outer RH/LH (56) 53.95
 17795-B Brace, Rear Bumper, Outer Center RH (56) 57.95
 17796-B Brace, Rear Bumper, Outer Center LH (56) 57.95



17675-B Brace, Rear Bumper Inner RH (56) 24.95
 17676-B Brace, Rear Bumper Inner LH (56) 24.95



17808-B Rear Splash Shield (56, 2 Used per Car) 5.85
 17864 Rear Bumper Tip LH (56) Call
 17865 Rear Bumper Tip LH (56) Call
 17906-B Rear Bumper Lower Center (56) Call



BUMPER BOLTS		
BUMPER BOLT KIT - FINE THREAD LIKE ORIGINAL		
17758-B	Bumper Bolt Kit Front and Rear (56)	73.95
BUMPER BOLT KIT - COURSE THREAD		
17758-E	Bumper Bolt Kit Front and Rear (56)	67.95
BUMPER BOLT KIT - REAR ONLY 1956		
17758-6CR	Bumper Bolt Kit Course Thread (56)	29.95
17758-6FR	Bumper Bolt Kit Fine Thread (56)	32.95



K17906B Kit, Rear Upper Bumper to Lower - Center to Ends (56) 11.20

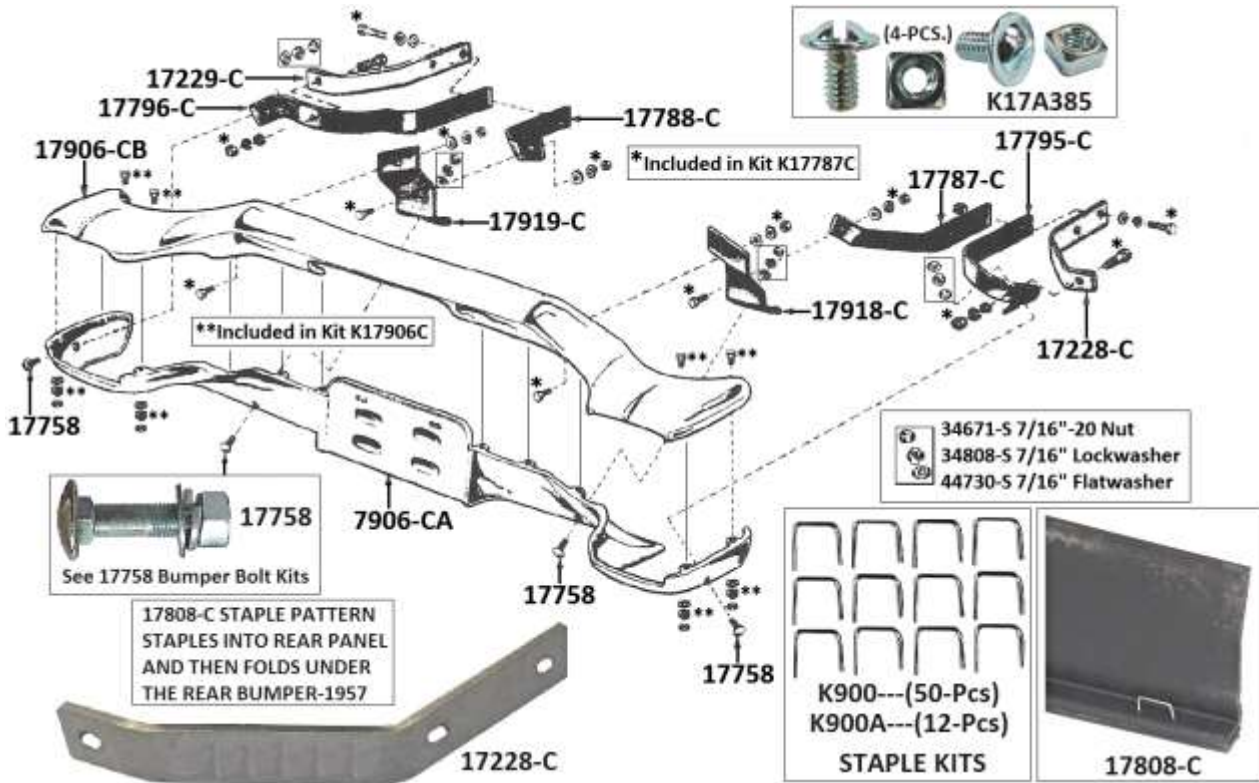


17918-B Jacking Plate Rear RH/LH (56) 43.95

SEE PAGE 135 FOR SINGLE BUMPER BOLTS

17787-B	Brace, Rear Bumper Inner RH (56)	57.95
17788-B	Brace, Rear Bumper Inner LH (56)	57.95

1957 Thunderbird Rear Bumper and Related Parts



17228-C	Brace, Rear Bumper Outer RH (57)	53.95
17229-C	Brace, Rear Bumper Outer LH (57)	53.95
K17A385	Kit, License Plate to Front or Rear Bumper (57)	1.40

BUMPER BOLTS



BUMPER BOLT KIT - FINE THREAD LIKE ORIGINAL		
17758-C	Bumper Bolt Kit Front and Rear (57)	31.95
BUMPER BOLT KIT - COURSE THREAD		
17758-F	Bumper Bolt Kit Front and Rear (57)	26.95
BUMPER BOLT KIT - REAR ONLY - 1957		
17758-7CR	Bumper Bolt Kit Course Thread (57)	18.95
17758-7FR	Bumper Bolt Kit Fine Thread (57)	21.95

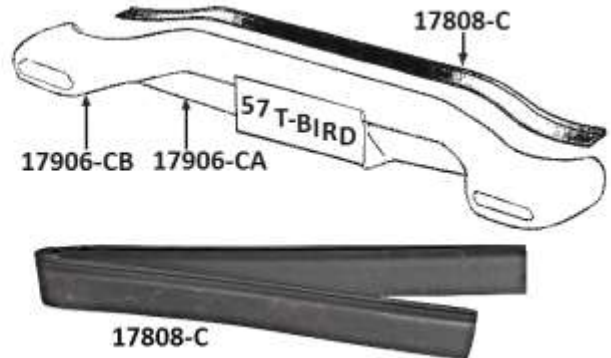
SEE PAGE 135 FOR SINGLE BUMPER BOLTS



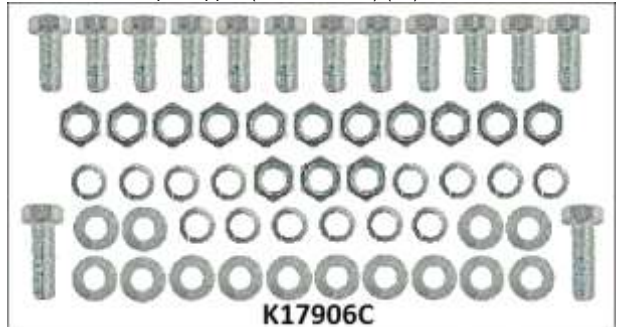
17787-C	Brace, Rear Bumper Inner RH (57)	57.95
17788-C	Brace, Rear Bumper Inner LH (57)	57.95



K17787C	Kit, Rear Bumper Braces to Frame (57)	14.40
17795-C	Brace, Rear Bumper Center RH (57)	57.95
17796-C	Brace, Rear Bumper Center LH (57)	57.95



17808-C	Deflector, Rear Bumper Stone (57)	11.00
K900	Kit, (50) Staples to Attach (17808-C) to Rear Body Panel...	14.00
K900A	Kit, (12) Staples to Attach (17808-C) to Rear Body Panel...	3.75
17906-CA	Rear Bumper Lower (Used or NOS) (57)	Call
17906-CB	Rear Bumper Upper (Used or NOS) (57)	Call

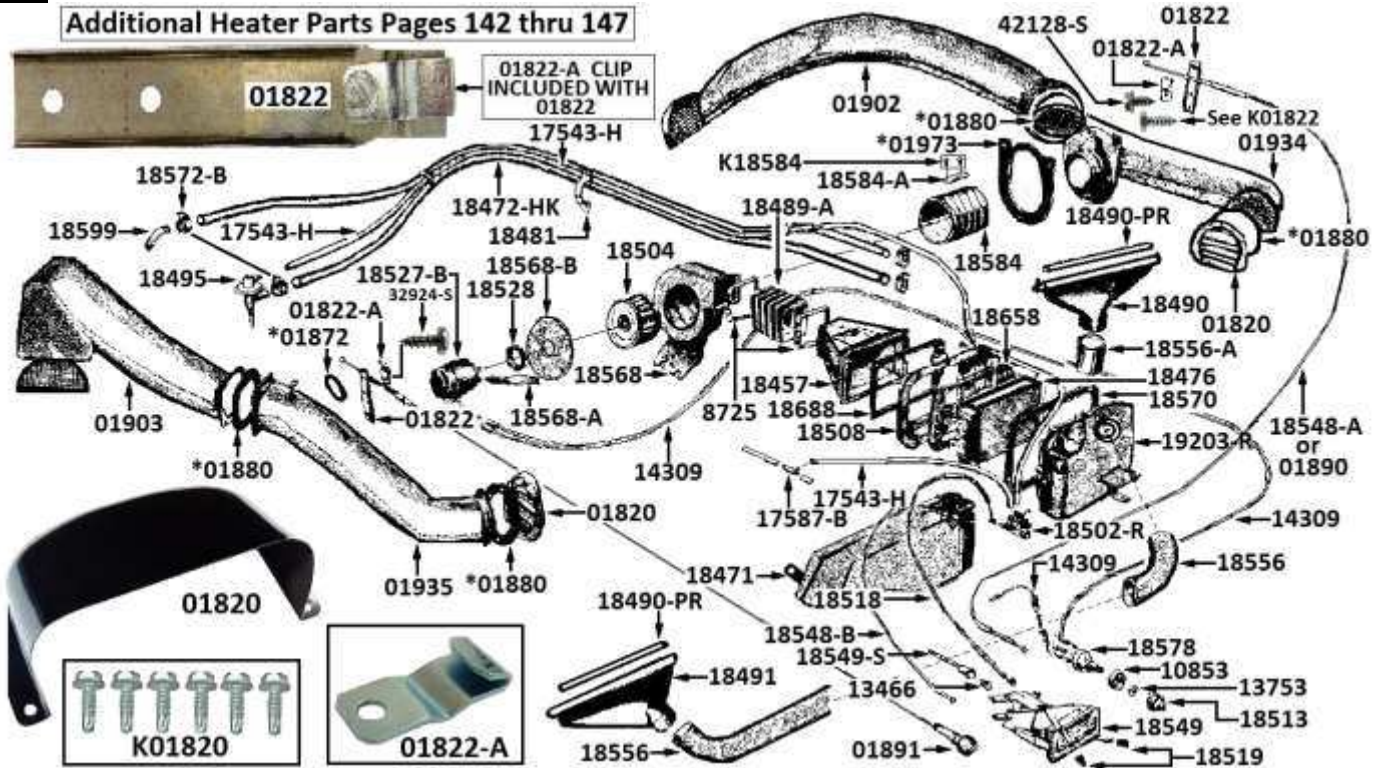


K17906C	Kit, Attaches Upper and Lower Rear Bumper (57)	18.60
---------	--	-------



17918-C	Jacking Plate RH Rear (57)	43.95
17919-C	Jacking Plate LH Rear (57)	43.95

Additional Heater Parts Pages 142 thru 147



01820	Scoop, Air Deflector	23.95
K01820	Kit, Air Deflector Scoop to Car	2.40
01822	Bracket, Air Control Wire with Plated (01822-A) Clip.....	7.85
K01822	Kit, Air Control Brackets (01822) to Apron.....	1.40
01822-A	Clip Only, Air Control Bracket	3.40
32924-S	Screw, Air Vent Cable Bracket 01822-A to 01822 LH	0.20
42128-S	Screw, Air Vent Cable Bracket 01822-A to 01822 RH.....	0.30



01890	RH Vent Control Cable with Knob - Complete Used only on Birds with No Heater	41.95
01891	LH Vent Control Cable with Knob	41.95

01862	Air Duct Flapper without (01863) Rod.....	24.95
01863	Rod, Air Duct Flapper Valve.....	17.80
01872	Seal, Vent Air Duct to Apron	1.85



01902-F	Air Duct RH Front (Fiberglass).....	195.00
---------	-------------------------------------	--------



01880	Gasket, Vent Air Duct.....	2.20
01880-F	Repair Flange for Center of Air Ducts (4-Per Car).....	19.85



01903-F	Air Duct LH Front (Fiberglass)	195.00
---------	--------------------------------------	--------



01880-A	Air Duct Gasket Set Includes: (4) 01880 (1) 01872 (1) 01973	7.50
---------	--	------



01934-F	Air Duct RH Rear with Flapper Valve (Fiberglass).....	250.00
---------	---	--------



01935-F	Air Duct LH Rear with Flapper Valve (Fiberglass)	250.00
---------	--	--------

AIR DUCT SET



01900-K Air Duct Set - Includes: 01902, 01903, 01934, 01935
Has Flapper, Rods and 01880-A Gasket Kit
Ducts are Fiberglass Reproductions 879.00



K01914 Kit, Air Deflector Scoops to Body 3.00



01934-MF Mounting Flange - RH Duct to Apron 32.50
01934-5RF Repair Flange for Rear of Air Duct 20.50



01935-B Bracket, LH Rear Duct to Apron 21.50
01973 Seal, Vent Air Duct to Apron 2.85

AIR DUCTS - ORIGINAL METAL

01902-M	Air Duct RH Front (Original Metal)	Call
01903-M	Air Duct LH Front (Original Metal)	Call
01934-M	Air Duct RH Rear (Original Metal)	Call
01935-M	Air Duct LH Rear (Original Metal)	Call
01900-M	Air Duct Set (Original Metal)	Call



01914-A Screen Only Air Duct RH 9.95
01915-A Screen Only Air Duct LH 9.95



01914-M Scoop, Air Duct RH Metal with Screen 84.95
01915-M Scoop, Air Duct LH Metal with Screen 84.95

AIR DUCT INSTALLATION KITS

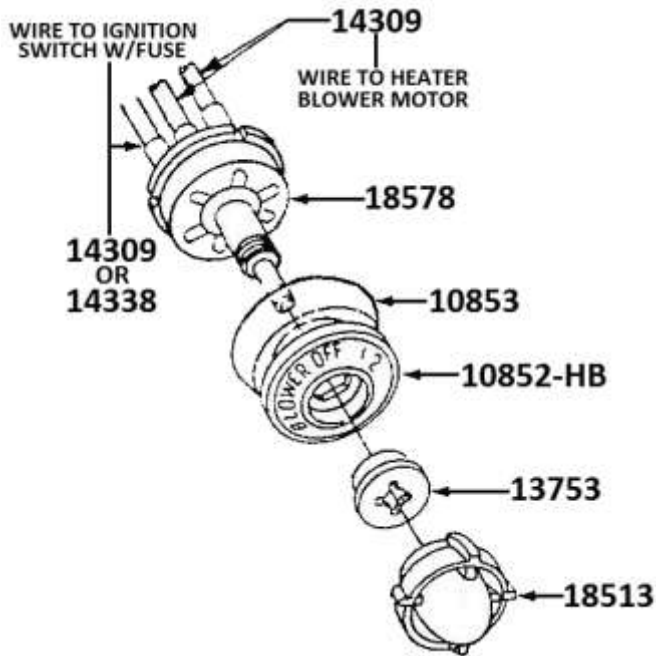


K01900F Kit, Fiberglass Air Ducts to Scoops and Aprons 21.80



K01900S Kit, Steel Air Ducts to Scoops and Aprons 11.85

1955/57 Thunderbird Heater Blower Switch and Wiring



18513 Knob, Heater Blower (Black/Chrome)..... 16.95



18578 Switch, Heater Blower, 2-Speed..... 29.90



10852-HB Dash Bezel Inner Heater Switch..... 17.75



10853 Bezel Dash Knobs Outer 14.50



10868 Pad between Dash Outer Bezel and Dash..... 1.85



13753 Nut, Blower Switch (55/57) 12.95



10853-T Bezel Nut Tool 7.95



14526-SFE14 Fuse, Heater (56/57, 12V-14A)..... 1.00

14526-SFE20 Fuse, Heater (55, 6V-20A)..... 1.00



QUALITY REPLACEMENT WIRING

14309-AR Wire, Heater Switch to Heater Motor (55)..... 19.60

14309-BR Wire, Heater Switch to Heater Motor (56/57)..... 21.90

AUTHENTIC REPRODUCTION WIRING

FEA14309A Heater Switch to Heater Motor (55, Braided)..... 19.90

FEA14309AP Heater Switch to Heater Motor (55, PVC)..... 19.90

FEA14309AM Heater Switch to Heater Motor (56/57) 24.95

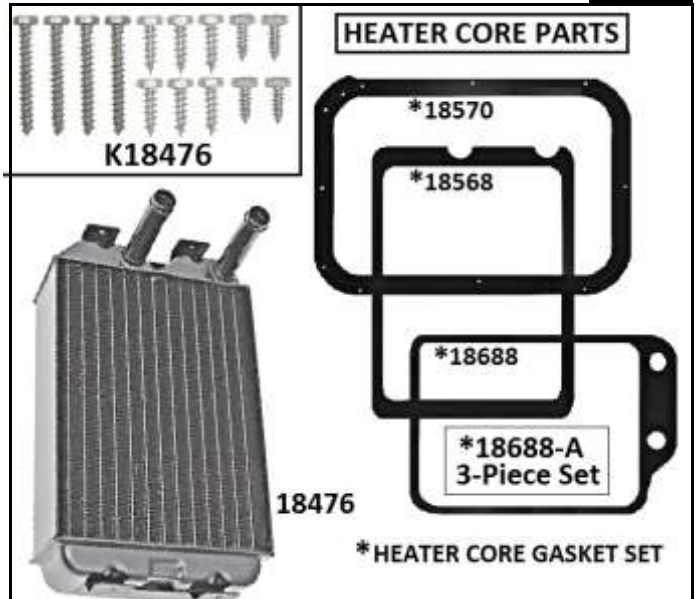
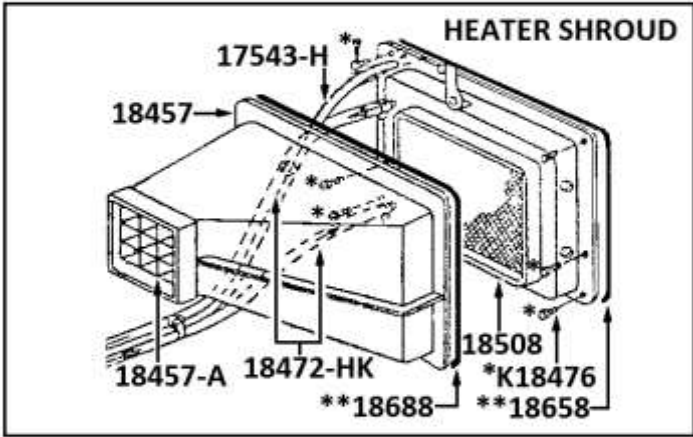
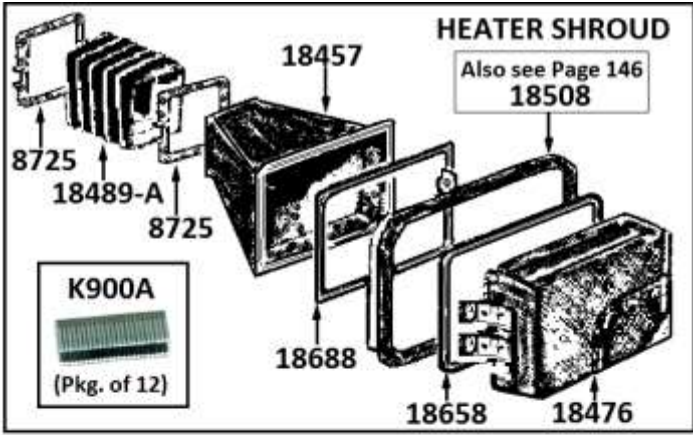


QUALITY REPLACEMENT WIRING

14338-R Wire, Ignition to Heater Switch with Fuse (55/57)..... 18.10

AUTHENTIC REPRODUCTION WIRING

B6S14309B Wire, Ignition to Heater Switch (56/57) 29.20



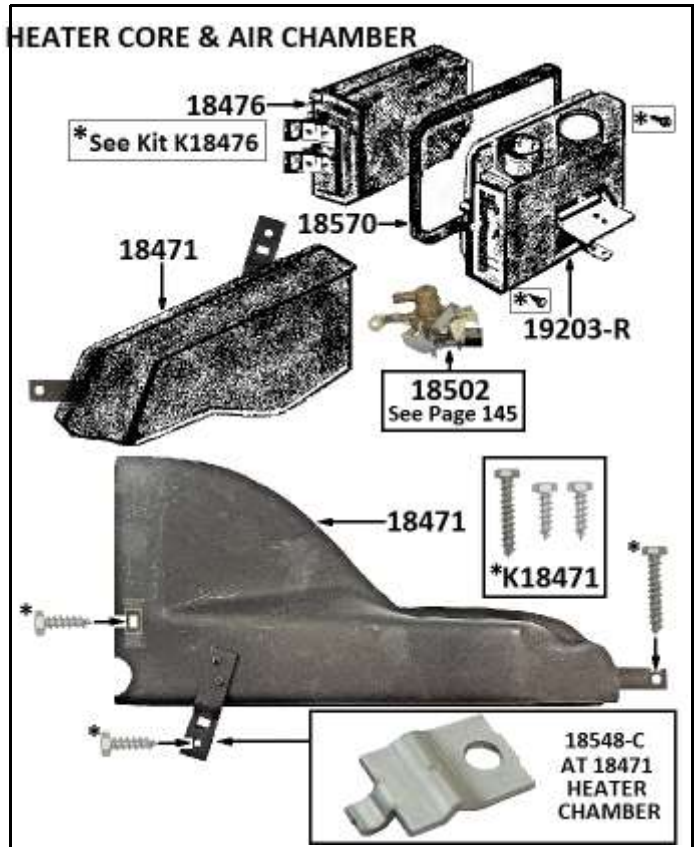
18476	Heater Core	169.95
K18476	Kit, Heater Core to Housing, Housing & Inner Heater Box to Firewall	3.85
18688-A	Heater Core Gasket Set 3 Piece Set: (1) 18570 (1) 18658 (1) 18688	7.95
18570	Gasket Heater to Dash	3.00
18658	Gasket Heater Core to Case	2.90
18688	Gasket Heater Duct to Case	2.80



18457	Shroud, Heater Box (Used Original)	50.00
18457-A	Deflector Inside Heater Inlet Duct	8.50
K900A	Kit, Staples for Attaching (18457-A) to (18457)	3.75

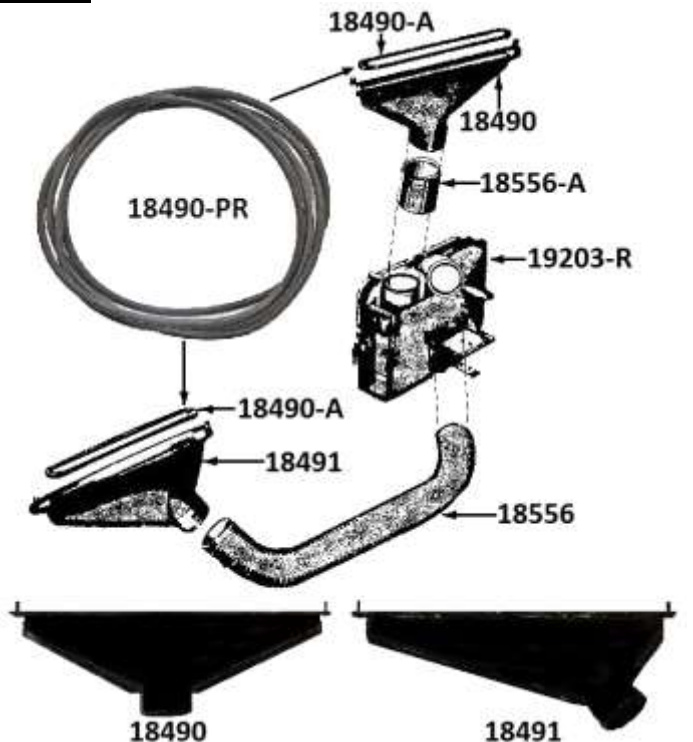


8725	Clamp, Rectangular for (18489) Duct	8.70
8725-A	Clamp, Round. Can be used on (18584) Duct	8.70
18489-A	Hose, Heater to Air Duct Square	27.50
18508	Heater Box Front	Call



18471	Heater Air Chamber (Used Original)	Call
18471-F	Heater Air Chamber (Fiberglass)	129.95
18471-P	Heater Air Chamber (Plastic)	69.95
K18471	Kit, Heater Air Chamber (18471) to Firewall	1.20
18548-C	Clip, Heater Control Cable Retaining	1.90

1955/57 Thunderbird Defroster & Fresh Air Related Parts



18490	Defroster Flute RH (Used Original)	40.00
18491	Defroster Flute LH (Used Original)	40.00
34053-S	Nut, Defroster Flute to Dash (55/57)	0.30
18490-PR	Seals, Defroster Flute to Dash (Pair)	10.95



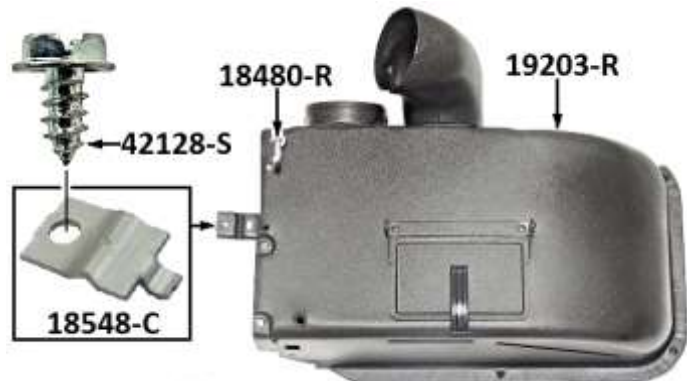
18556	Hose, Defroster 36" Length LH	29.85
18556-A	Hose, Defroster RH Nozzle (Rubber)	4.85



18726-R	Clip for (19203-H) Retains Heater Box Door	10.00
19203-H	Handle, Heater Box Door	9.95



18502-R	Valve, Heater Vacuum, Mounts in Heater Base	109.00
	Core Charge for (18502-R)	50.00
42128-S	Screw, Attaches (18502-R) to (19203-R) Housing	0.70



19203-R	Heater Box (Used Original)	Call
18548-C	Clip, Heater Control Cable Retaining	1.90
42128-S	Screw, Use at all (18548-C) Clips	0.70



18480-A	Seal, Felt Glues to Back of Heater Door	2.90
18480-B	Seal, Felt Flapper Valve	3.20



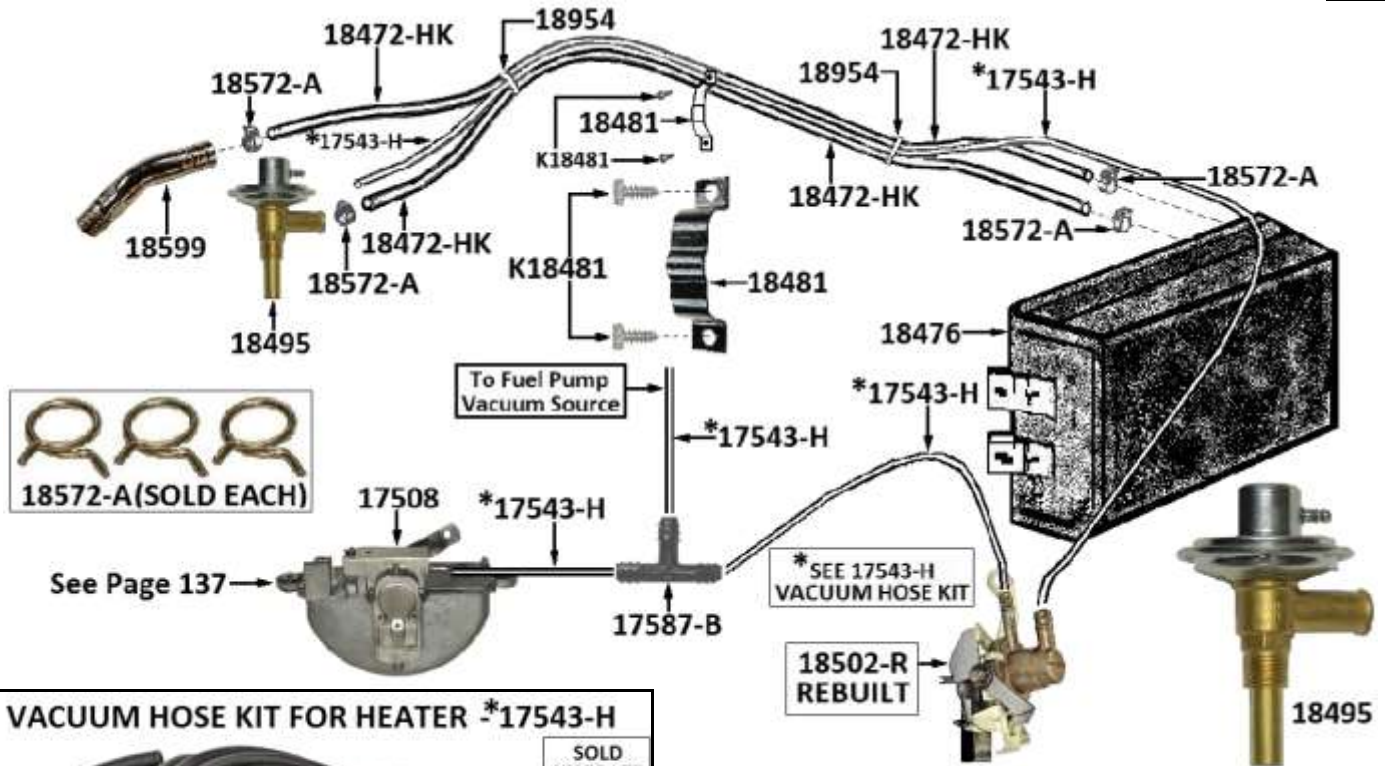
18480-C	Bushings, Defroster Flapper Shaft (Pair)	1.20
---------	--	------



18480-D	Defroster Flapper Door	Call
18480-R	Rod, Defroster Flapper	Call



18548-C	Clip, Heater Control Cable Retaining	1.90
380239-S	Rubber Bumper, Defroster Flapper	2.00
42128-S	Screw, Use at all (18548-C) Clips	0.70
52713-S	Screw, Attaches (19203-H) onto (19203-R)	Call



VACUUM HOSE KIT FOR HEATER *17543-H



SOLD SEPERATE
17587-B

17543-H	Vacuum Hose Kit for Heater	9.95
17587-B	Tee, Vacuum Hoses to Heater & Wiper Motor	2.00

HEATER HOSE KIT

KIT INCLUDES:
(2) 4' Heater Hose
(1) By-Pass Hose
(6) 18572A Clamps
(2) 18954 Bands



18472-HK	Heater Hose Kit	28.90
18472-HDK	Heater Hose Kit (Dual-4)	29.90



TECH TIP: 18481 Paint Gloss Black

18481	Bracket, Heater Hoses to Apron	5.35
K18481	Kit, Heater Hose Bracket (18481) to Apron	1.20

18495	Heater Control Valve on Intake (Exact Reproduction)	89.95
18502-R	Valve, Heater Vacuum, Mounts in Heater Base	109.00
	Core Charge on (18502-R)	50.00

MANUAL HEATER CONTROL KIT



18495-RK	Manual Heater Control Kit	65.00
----------	---------------------------------	-------

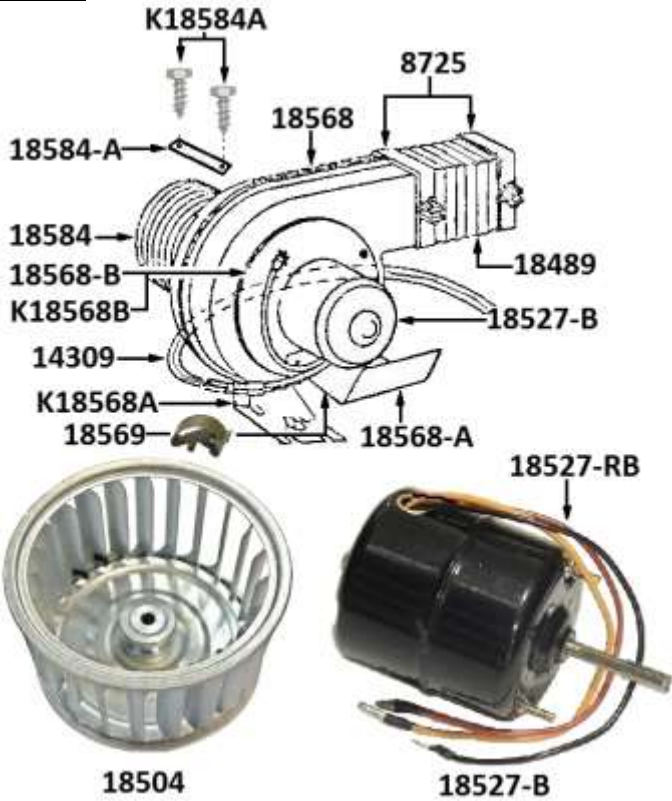
18954	Band Used to Tie Heater Hoses Together	(Each) 2.65
-------	--	-------------

18572-A	Clamp, Heater Hose, Correct Length, Original Type with Gold Cadmium Finish	Each 1.90
18572-A Is Correct Original Type Clamp		



18599	Elbow, Heater Hose to Water Pump	15.75
18599-A	Elbow, Use When Replacing (18495) Heater Valve	14.50

1955/57 Heater Blower Motor and Related Parts



18504	Fan Squirrel Cage Heater Blower	24.95
18527	Heater Motor (6-Volt).....	Call
18527-B	Heater Motor (12-Volt, New Replacement).....	169.95

HEATER BLOWER MOTOR WIRE REPAIR KIT



QUALITY REPLACEMENT WIRING

18527-FEA	Heater Motor Wire Repair (55, Early Braided)	14.85
18527-B5S	Heater Motor Wire Repair (56/57, Late PVC)	14.40

AUTHENTIC REPRODUCTION WIRING

B5S18527W	Heater Blower Motor Wire (55, PVC)	16.30
FEA18527W	Heater Blower Motor Wire (56/57, Braided)	16.75



18528	Gasket, Heater Blower Motor	4.90
18569	Clip, Heater Wire to Heat Shield	Call



18584-A	Metal Retainer Strap for (18584).....	1.50
K18584A	Kit, (18584-A) Strap to Duct and Housing.....	1.40



18489-A	Hose, Heater to Air Duct Square	27.50
18584	Hose, Air Duct to Heater Blower, Round	21.85



8725	Clamp, Rectangle for (18489) Duct	8.70
8725-A	Clamp, Round. Can be used on (18584) Duct.....	8.70



18568	Heater Motor Housing (Used Original).....	Call
K18568A	Kit, Heater Blower Assembly to Apron.....	2.00



18568-A	Heat Shield, Heater Blower Motor	15.70
18568-B	Plate, Heater Blower Motor Mounting.....	15.70
K18568B	Kit, Heater Blower Support Brace to Housing.....	1.50

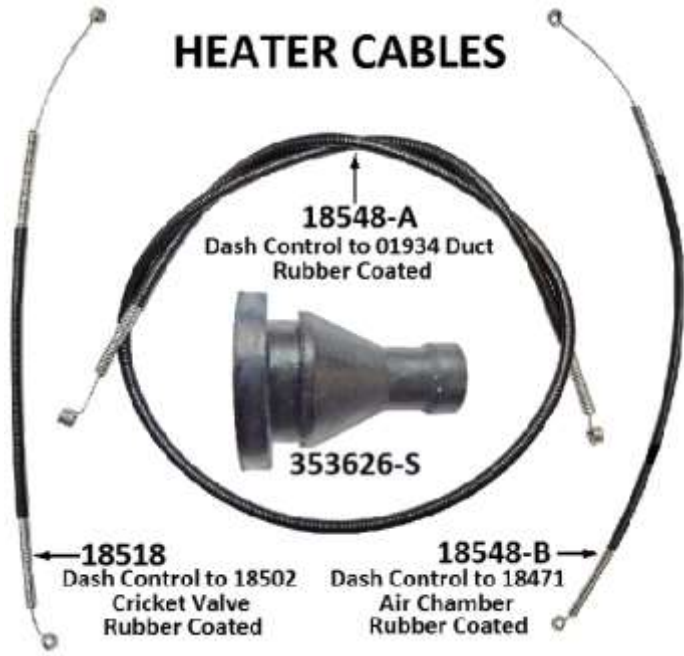


18584-HD	Heater Delete Block-off Cap, Heater Duct.....	16.95
18508-P	Heater Delete Block-off Plate at Firewall	45.00

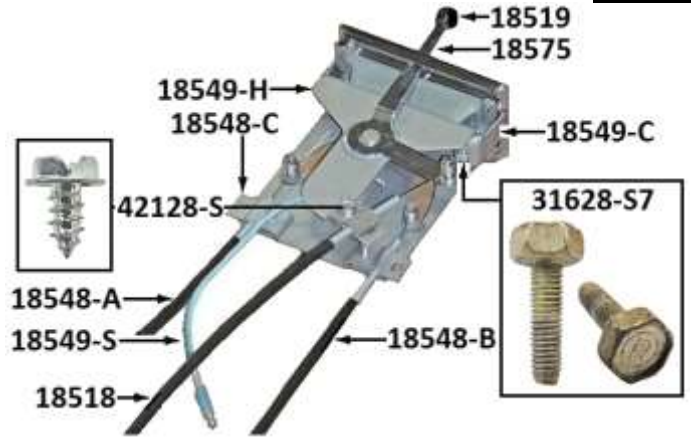


18508	Heater Box Front.....	Call
-------	-----------------------	------

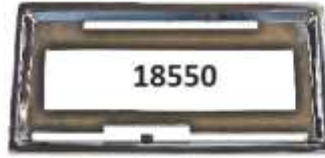
HEATER CABLES



18518	Cable, Heater Control.....	10.25
18548-A	Cable, Heater Control.....	10.25
18548-B	Cable, Heater Control.....	10.25
18548-K	Heater Cable Kit, 3-Pcs, 18518, 18548A, 18548B.....	29.95
353626-S	Grommet, RH Vent Control (Like Original).....	3.90



18549-R	Heater Control (Original) (55/57)	Call
31628-S7	Screw to Attach (18549C) to (18549H) (Used Original)	Call



Also see 18550-K

18550	Faceplate, Heater Control (Chrome).....	36.00
-------	---	-------



See 18521



18550-K (FRONT SIDE)

18550-K (BACK SIDE)

18550-K	Heater Defrost Assembly (55/57).....	71.25
---------	--------------------------------------	-------



18519-A



18519-B

KNOBS SHOULD BE PAINTED BLACK

18519-A	Knob, Heater Control (55, Wedge Shape).....	11.95
18519-B	Knob, Heater Control (56/57, Ball Shape).....	10.95



18521

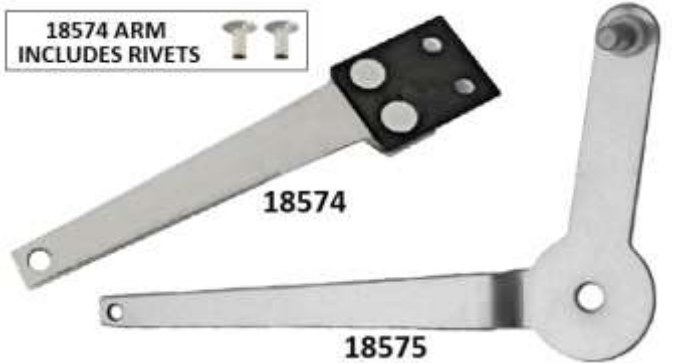
18521	Housing Only Heater/Defroster Control	30.00
-------	---	-------



18548-C

18549-C

18548-C	Clip, Heater Control Cable Retaining	1.90
18549-C	Clip, Retains (18549) to Dash, (2 Needed).....	4.85
31628-S	Screw, Attaches (18549C) to (18549H) Replacement.....	0.25
42128-S	Screw, Air Vent Cable Clip.....	0.70



18574	Arm, Heater Control Lever Lower	21.95
18575	Arm, Heater Control Lever Upper	15.95

HEATER CONTROL ARM KIT
Includes: 18574 and 18575 Arms
 18574-5K Arms, Heater Control (Upper & Lower) (Polished Stainless) 34.95



18549-H

18549-S

13466-55 13466-57

13466-55	Bulb, Heater Control (55, 6V).....	2.39
13466-57	Bulb, Heater Control (56/57, 12V).....	1.19
18549-H	Heater Control (55/57, Used Original).....	Call
18549-S	Temperature Control Panel Lamp Socket.....	12.10



18619

18619	Faceplate Heater Control (Plastic).....	13.10
-------	---	-------



18620

18620	Backing Plate for Heater Faceplate	4.95
-------	--	------

1957 Thunderbird Radio Volume Control Wire

370207-S
Distributor

18869

370207-S
Grommet for Radio Volume Control

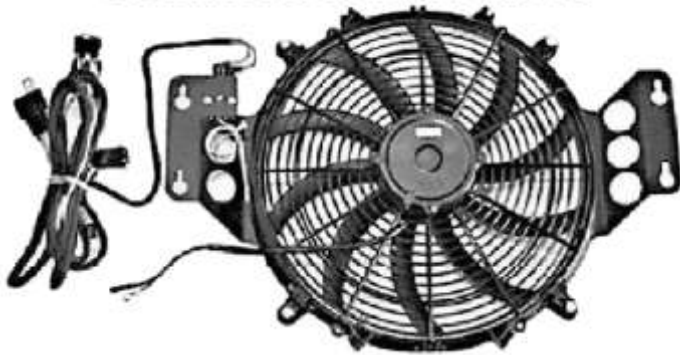
18869 Radio Volume Control Wire (1957 Only) Call
370207-S Grommet for Radio Volume Control 1.30

18869 Firewall
Drill 7/16" Hole
Radio
18869
Volume Compensating Cable Socket

RADIO VOLUME CONTROL WIRE 1957 ONLY

1955/57 Thunderbird Air Conditioning & Related Parts

ELECTRIC COOLING FAN KIT-12V



Electric Fan Kit—Mounts in Front of the Radiator
High Output 16" Blade. Kit Includes Adjustable Thermostat
Wiring Harness, Switch and Installation Instructions

8600C-12V Electric Fan Kit 12V 279.95



8600-D Bracket Kit, Allows Use of our Electric Fan Kits
With Air Conditioning 6.95

**AIR CONDITIONER KIT
Under the Dash Air Conditioner Kit**



A/C KITS AVAILABLE FOR USE WITH R143A REFRIGERANT
Air Conditioner Kit is Designed for 55/57 Thunderbirds with 12V System
KIT INCLUDES: Dash Unit, A/C Compressor, Condenser, A/C Lines
Mounting Brackets, and Instructions. Refrigerant Not Included
DOES NOT COME WITH ELECTRIC FAN KIT BUT IS RECOMMENDED
SEE PAGE 83 FOR 8600C-12V ELECTRIC FAN KIT

19700-KRK Under Dash Unit (Uses R-134a Coolant) Call
8620-9470 Belt for Replacement A/C 1/2" x 47-3/8" 29.75



2882-AR Bracket for A/C Compressor S/D-507 55/57
Use with A/C Kits 19700-KRK 300.00
19703-D SD-507 A/C Compressor with Clutch 12-Volt
Use with R-134a Coolant 295.00



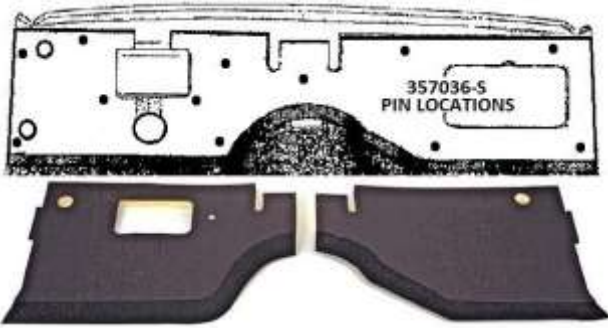
19712-A A/C Condenser 179.00
19959-DR Drier, T-Bird A/C Kit (19703) O-Ring Fittings 49.95

PERFECT FIT AIR CONDITIONER KIT



The Perfect Fit A/C Kit fits into your Original Heater Box area.
Kit comes complete with Evaporator Box, A/C Compressor
Condenser, Hoses, Vents, and Instructions.
You will also be able to reuse your Original Heater Control & Blower Switch
This kit provides both Air Conditioning and Heat.
Does not come with Electric Fan Kit, but is recommended.
All parts have a 3-Year Warranty.

19700-PF Perfect Fit A/C Kit, 12-Volt R-134a System 1849.00
10346-PF Requires usage of 10346-PF Alternator Kit 149.95
8600C-12V Electric Fan Kit 12V (Not Supplied with A/C Kit) 279.95
8620-9470 Belt for Perfect Fit A/C Kit 1/2" x 47-3/8" Use with 55/56 29.75
8620-9476 Belt for Replacement A/C 1/2" x 47-7/8" Use with 1957 37.45



- 01605-A Firewall Cover with Insulation (2 Pieces) 64.95
- 01605-B Firewall Cover with Insulation (1 Piece) 79.95



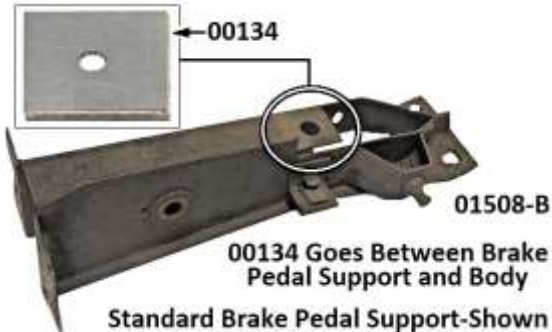
- 357036-S Fastener Pins, Firewall Pad to Firewall Each 3.20
- K01605A Kit, Firewall Cover to Firewall (12 Original Pins) 37.95



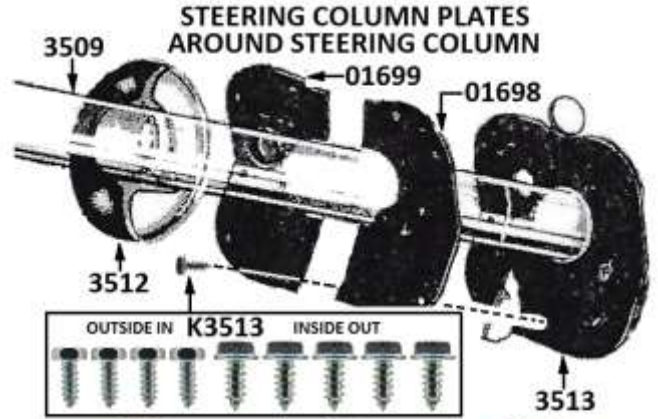
- 390018-S Fastener Pins, Firewall Pad to Firewall (Plastic) Each 1.90
- K01605B Kit, Firewall Cover to Firewall (12 Plastic Pins) 21.95



- 01672 Grommet Set Firewall 16.95
 - 01672-K Grommet Set Firewall (Includes 14608 Retainer) 26.95
- INDIVIDUAL FIREWALL GROMMET PIECES - LISTED BELOW**
- 14608 Retainer, Cowl Wiring Grommet 10.95
 - 14608-A Grommet, Main Harness through Firewall 4.95
 - 17543-C Grommet, Wiper Vacuum Hose 2.50
 - 17580-A Grommet, Washer Hose through Dash 1.50
 - 352962-S Grommet, Tachometer Cable - Wiring through F/M Shifter Support 4.00
 - 353626-S Grommet, RH Vent Control (Like Original) 4.00
 - 354125-S Grommet, Hood Release Cable 3.05



- 00134 Spacer, Brake Pedal Assembly 3.80
- 01508-A Support Assembly, Brake Pedal (Automatic Trans) Call
- 01508-B Support Assembly, Brake Pedal (Manual Trans) Call
- K01508 Kit, Pedal Assembly to Dash 6.00

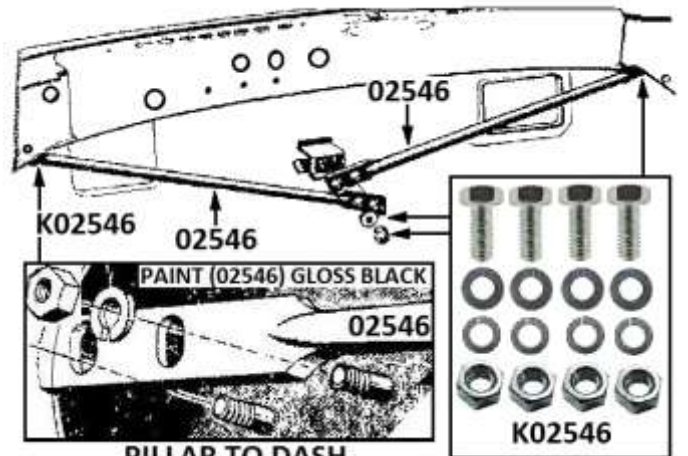


- 01698-A Plate Firewall Cover around Steering Column RH Call
 - 01699-A Plate Firewall Cover A/T around Steering Column LH Call
 - 01699-B Plate Firewall Cover S/T around Steering Column LH Call
- 01698-9RK Kit, Plate Firewall Cover around Steering Column F/M
Kit Includes (1) 01698-A (1) 01699-A (Reproduction) 49.00



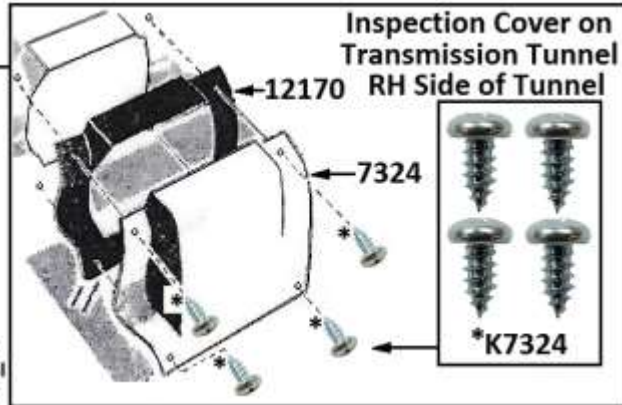
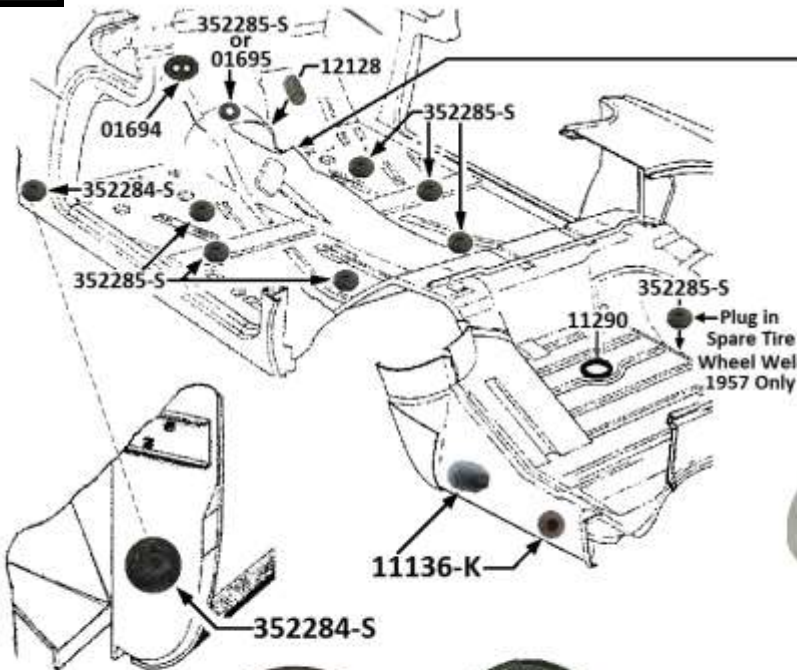
- 3512 Grommet, Steering Column to Dash 7.95
- 3513-A Seal, Steering Column (Automatic Transmission) 4.35
- 3513-B Seal, Steering Column (Standard Transmission) 4.35
- K3513 Kit, Steering Column Seal (3513) to Firewall 2.80

STABILIZER BAR INSTRUMENT PANEL



- 02546-A Stabilizer Instrument Panel (55/57) Front Body RH & LH 25.00
- 02546-S Stabilizer Instrument Panel (55/57) Front Body S/T LH 25.00
- K02546 Kit, Cowl Braces to Dash & Firewall (02546) 3.80

1955/57 Thunderbird Floor Plugs, Access Covers and Quarter Panel Drain Plug Kit



7324	Transmission Inspection Plate (Used)	Call
12170	Gasket, Transmission Governor Access Cover	2.85
K7324	Kit to Retain (7324) Cover to Floor Tunnel	1.20

01694	Grommet, Speedometer Cable O/D	6.25
01695	Grommet, Speedometer Cable S/T - F/M	1.90



11135-AK (SHOWN)

11135-AK	Floor and Cowl Rubber Plug Kit (55/56, 10 Pieces)	19.95
11135-BK	Floor and Cowl Rubber Plug Kit (57, 11 Pieces)	21.95
11135-CK	Same as Above, Concourse Correct (11-Pieces)	29.95



354284-S

354285-S

352284-S	A=1-1/4; B=7/16 - Rubber Plug, Floor Pan and Lower Door Pillar (Correct Style)	2.95
352284-S2	Same as Above (Not Correct Style)	2.00
352285-S	A=1-13/16; B=7/16 - Rubber Plug, Floor Pan For 1-7/16 Hole (Correct Style)	2.95
352285-S2	Same as Above (Not Correct Style)	2.00
11215-P	Plug, Wheel Well (57)	2.95

QUARTER PANEL DRAIN PLUGS



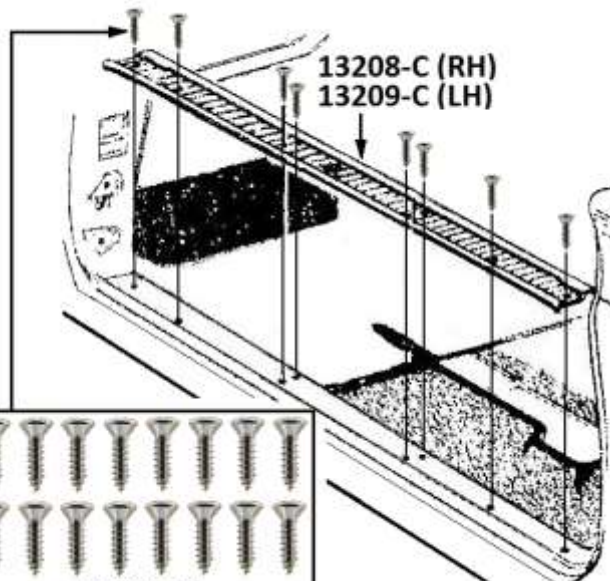
11136-K

11136-K	Plugs, Quarter Panel Drain (55/57)	6.40
---------	------------------------------------	------

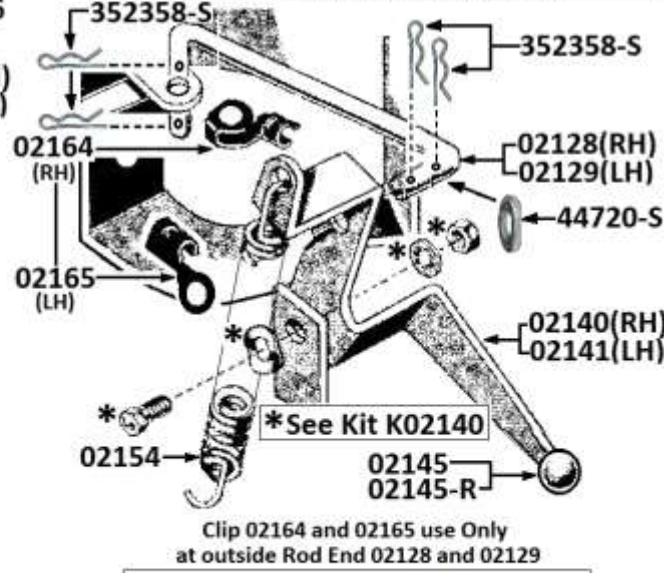
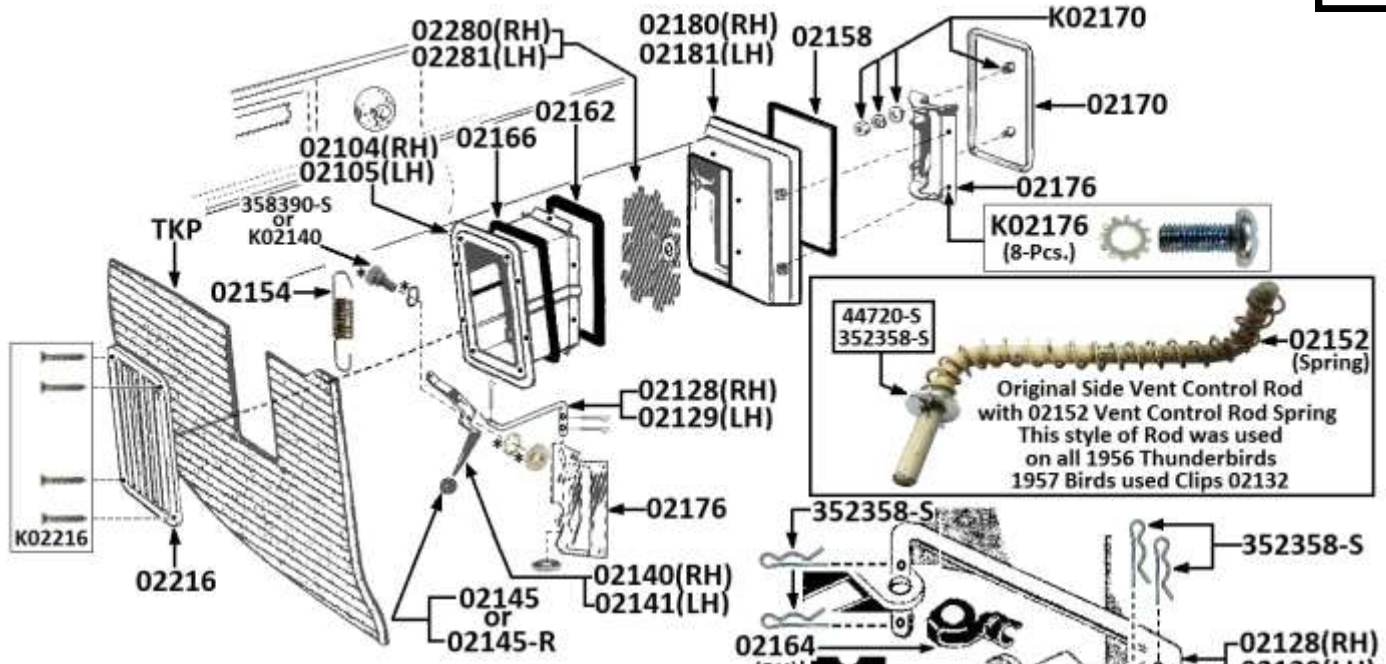


11290	Cover, Fuel Gauge on Trunk Floor	10.50
12128	Plug, Floor Access Hole	12.95
32917-S7	Screw to Retain (11290) Cover on Trunk Floor	0.30

DOOR OPENING SILL (STEP) PLATES



13208-C	Sill Step Plate Door RH	35.95
13209-C	Sill Step Plate Door LH	35.95
K13208C	Kit, Step Plates to Body	2.80



02104	Vent Box Inter Steel (56/57, RH)	125.00
02105	Vent Box Inter Steel (56/57, LH)	125.00
K02104	Kit, Side Vent Spacer Duct (02104 & 02105) To Aprons and Fenders	4.80

02132	Clip, Side Vent Control Rod-Use 02164-02165-352358-S	NLA
44720-S	Washer	.20
352358-S	Pin	.90

02128	Rod, Side Vent Control (56/57, RH)	7.50
02129	Rod, Side Vent Control (56/57, LH)	7.50

02145	Knob, Side Vent Door Control with Cross Recess Drive	6.85
02145-R	Knob, Side Vent Door Control without Cross Recess Drive	6.85
02152	Spring, Side Vent Control Rod (56/57)	NLA
02154	Spring, Side Vent Control Lever (56/57)	8.90



02140	Arm, Side Vent Door Actuating RH	14.50
02141	Arm, Side Vent Door Actuating LH	14.50
K02140	Kit, Side Arms to Duct (2 Used Per Car)	7.00

02164	Clip, Side Vent Control Rod RH (56/57 Outer Only)	1.25
02165	Clip, Side Vent Control Rod LH (56/57 Outer Only)	1.25
358390-S	Bolt, Vent Door Lever Shoulder Bolt	6.00

1956/57 Thunderbird Vent Door & Related Parts



- 02158-A Seal, Side Vent Door (Die Cut, Adhesive Back) (56/57)..... 3.85
- 02158-R Seal, Side Vent Door (Original Molded Rubber) (56/57)..... 9.95

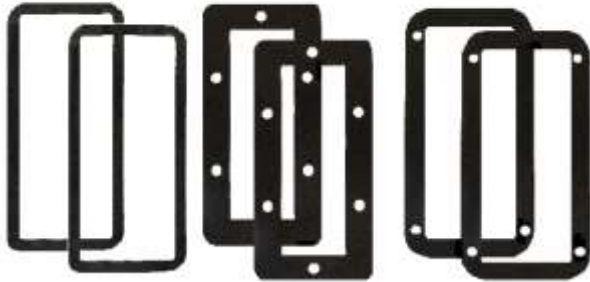


- 02162 Seal, Cowl Side Vent Inside Frame (56/57)..... 2.85



- 02166 Seal, Cowl Side Vent Panel 2.85

VENT DOOR SEAL KIT



- 02167-K Vent Door Seal Kit with Die-Cut Seal
Includes: (2) 02158A (2) 02162 (2) 02166 18.95
- 02167-KR Vent Door Seal Kit with Molded Rubber Seal
Includes: (2) 02158R (2) 02162 (2) 02166 29.95



02170

- 02170 Door, Cowl Vent (Used 56/57) Call
- K02170 Kit, Door Cowl Vent (Does One Vent Door) 2.00



K02170



02176

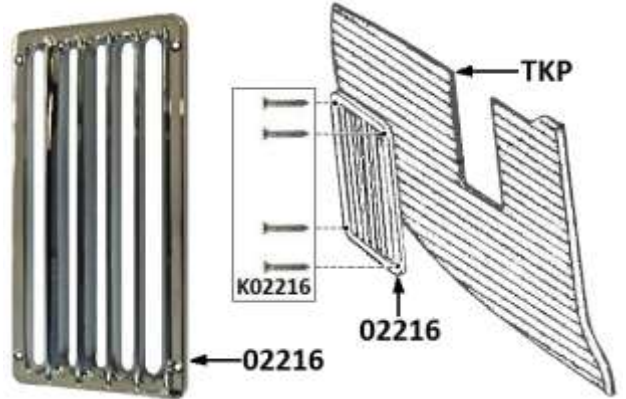


K02176

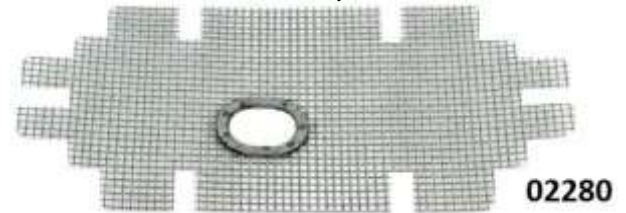
- 02176 Hinge, Side Vent Door (56/57) 25.75
- 02176-A Hinge, Side Vent Door (56/57, Used Original) 30.00
- K02176 Kit, Hinge Side Vent Door (56/57) 1.60



- 02180 Ram Assembly, Cowl Vent RH with Drip Hole and Adjacent Nut Plate 199.95
- 02181 Ram Assembly, Cowl Vent LH with Drip Hole and Adjacent Nut Plate 199.95

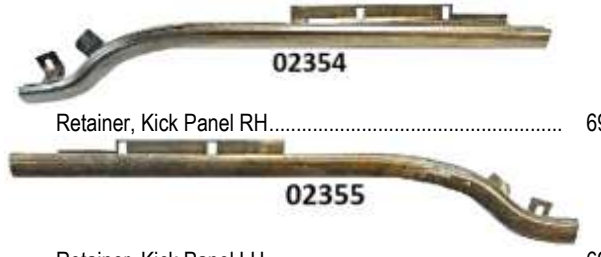


- 02216 Grille, Cowl Side Vent (Chrome) 32.00
- K02216 Kit, Vent Grilles Inside to Body 1.60



02280

- 02280 Screen, Cowl Side Vent (56/57 RH) 6.50
- 02281 Screen, Cowl Side Vent (56/57 LH) 6.50



02354

02355

- 02354 Retainer, Kick Panel RH 69.00
- 02355 Retainer, Kick Panel LH 69.00
- 02354-5K Retainer, Kick Panel Set (RH & LH) 115.00



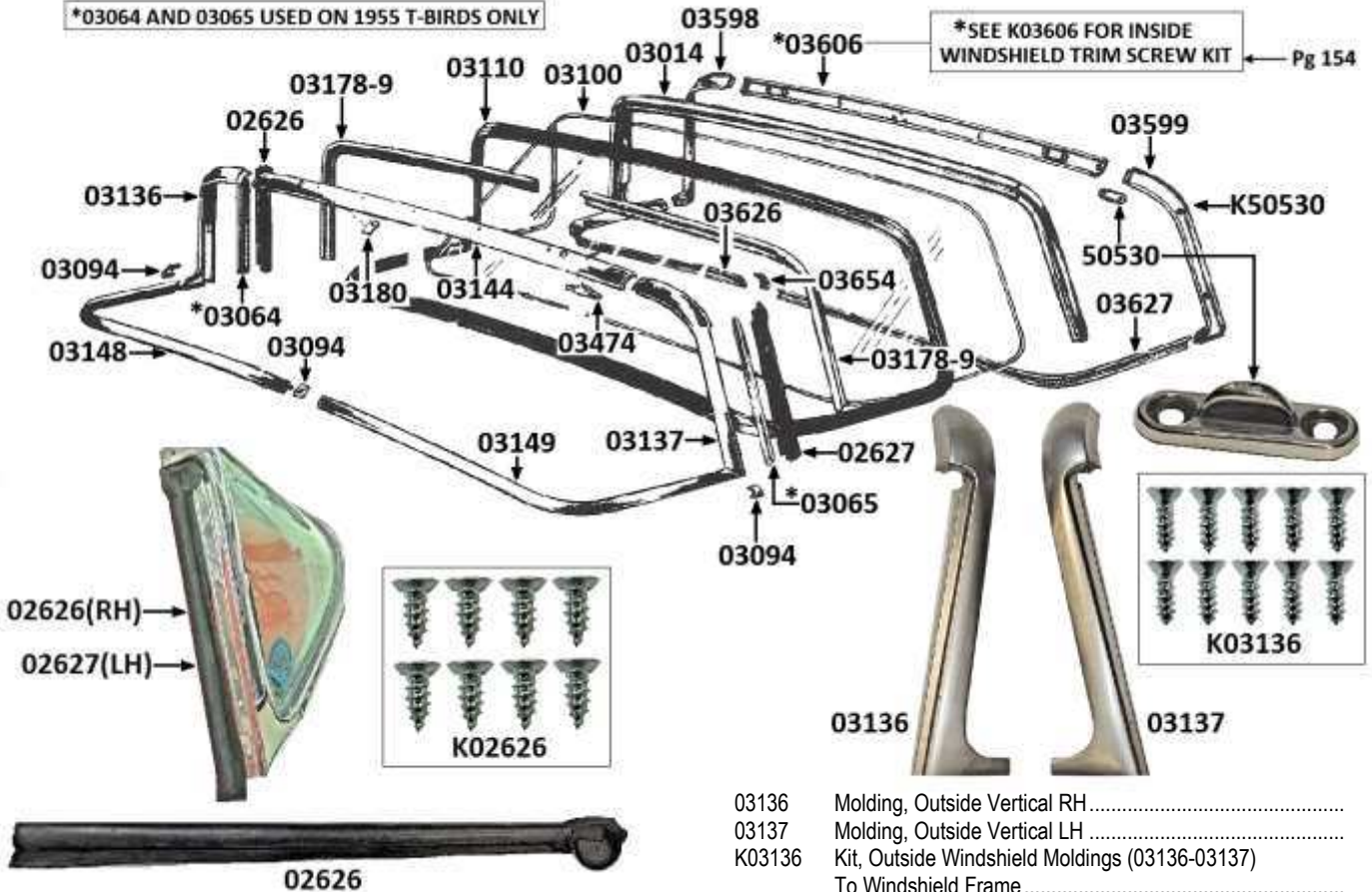
31262

Use this at the Rear Kick Panel Area to Attach the Windlace

- 31262 Tack Strip Pair Kick Panel 8.80

*03064 AND 03065 USED ON 1955 T-BIRDS ONLY

*SEE K03606 FOR INSIDE WINDSHIELD TRIM SCREW KIT ← Pg 154



02626	Weatherstrip Front Body Pillar Upper RH	27.95
02627	Weatherstrip Front Body Pillar Upper LH.....	27.95
K02626	Kit, Windshield Pillar Weatherstrip to Pillar (02626 & 02627).....	1.80
03014	Frame Windshield	Call
03064	Molding, Windshield Side Frame Rear RH (55) (Early Used Original).....	Call
03065	Molding, Windshield Side Frame Rear LH (55) (Early Used Original).....	Call

03136	Molding, Outside Vertical RH.....	Call
03137	Molding, Outside Vertical LH	Call
K03136	Kit, Outside Windshield Moldings (03136-03137) To Windshield Frame	2.20
03138	Retainer Clip Inside Lower Outer Windshield Trim.....	4.25
03144	Molding, Windshield Center Outer.....	Call
03148	Molding, Windshield Outer RH.....	Call
03149	Molding, Windshield Outer LH	Call



03094-AR	Clip, Windshield Trim (55, Reproduction)	6.95
03094-BR	Clip, Windshield Trim (56/57, Reproduction)	6.95



03178-9	Retainers, Windshield Header Trim (Pair).....	20.75
03180	Clip, Windshield Outside Top Molding Retainer	3.49

WINDSHIELDS - CLEAR/TINTED WITH PPG LOGO

03100-C	Windshield (Clear).....	539.95
03100-T	Windshield (Tinted).....	559.95

WINDSHIELDS - CLEAR/TINTED WITHOUT LOGO

03100-CR	Windshield (Clear).....	399.95
03100-TR	Windshield (Tinted).....	419.95



03474	Bracket, Hardtop Locating.....	24.98
K03474	Kit, Windshield Header Dowel Strikers to Header	2.20



03110-A	Windshield Weatherstrip (Made in the USA).....	82.00
03110-R	Windshield Weatherstrip (Imported).....	89.00



50530	Plate, Front Hold Down Latch	16.25
K50530	Kit, Front Latch Hook Plates to Windshield Header.....	1.80

1955/1957 Thunderbird Windshield Trim - Wind wing Assemblies and Related Parts

03598-A	Molding Windshield Inside Vertical RH (55).....	Call
03598-B	Molding Windshield Inside Vertical RH (56/57).....	Call
03599-A	Molding Windshield Inside Vertical LH (55).....	Call
03599-B	Molding Windshield Inside Vertical LH (56/57).....	Call
03606-A	Molding Windshield Inside Upper (55).....	Call
03606-B	Molding Windshield Inside Upper (56/57).....	Call
03626	Molding Windshield Inside Lower RH (55/57).....	Call
03627	Molding Windshield Inside Lower LH (55/57).....	Call



Joint Moulding Inner at Center Lower Mouldings 03626 & 03627 Chrome Reproduction

03654

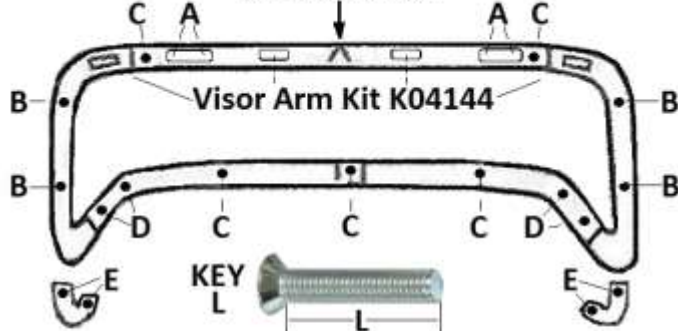
AU2713



03654	Joint Molding Lower Windshield.....	19.50
AU2713	Screw use at (03654) Center Joint Molding.....	0.30

K03606 KIT INSIDE WINDOW TRIM

Mirror Kit K17702



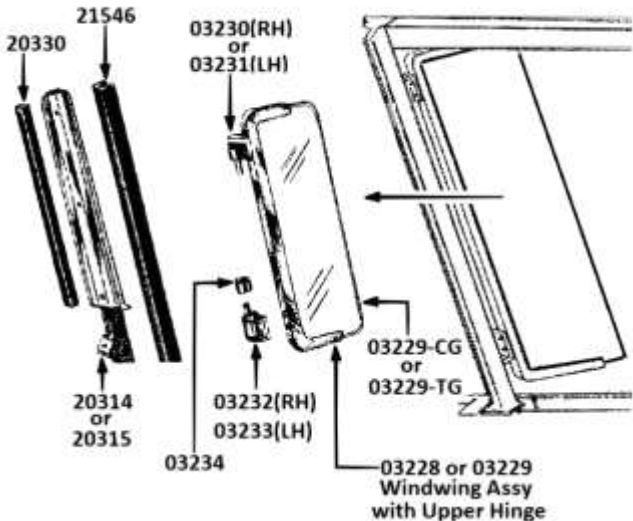
A=7/8" Large Dia. B=7/8" Smaller Dia.

C=1" D=2" E=5/8"



K03606	Kit Windshield Garnish Mouldings Inside to Windshield Frame Does Not Include Mirror/Visor Kits (K17702 & K04144).....	6.40
--------	---	------

WINDWING ASSY & RELATED PARTS



03228-T (Shown)

03228-C	Wind wing Assembly Clear with FOMOCO RH.....	115.00
03228-T	Wind wing Assembly Tinted with FOMOCO RH.....	115.00
03229-C	Wind wing Assembly Clear with FOMOCO LH.....	115.00
03229-T	Wind wing Assembly Tinted with FOMOCO LH.....	115.00

03229-A

03229-A	Retainer Strip for 03229 Glass, Coat with Oil, Install Glass, Trim Excess.....	2.20
---------	--	------



03229-TG (Shown)

03229-CG	Glass Wind wing, Clear with FOMOCO Mark.....	22.00
03229-TG	Glass Wind wing, Tinted with FOMOCO Mark.....	22.00



03230



03230-A



03231

03230	Hinge, Upper Wind wing RH with Rivets (56/57).....	19.75
03230-A	Rivets Only for 03230 (Package of 2).....	2.40
03231	Hinge, Upper Wind wing LH with Rivets (56/57).....	19.75



03232



03233



K03232

03232	Hinge, Lower Wind wing RH.....	19.75
03233	Hinge, Lower Wind wing LH.....	19.75
K03232	Kit, Lower Wind wing Hinges to Wind wing Frame.....	4.80



03234



03234-A

03234	Bushing Wind wing Hinge..... (Each)	2.50
03234-A	Screw Set for Wind wing Tension Adjusting.....	2.40

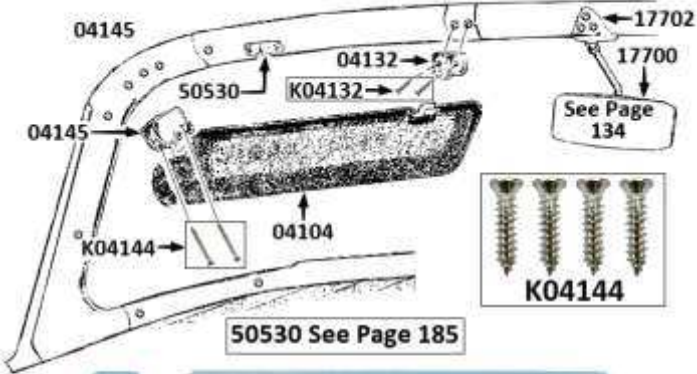


03234-K

03234-K	Wind wing Bushing and Screw Set.....	12.40
---------	--------------------------------------	-------

1956/1957 THUNDERBIRD SUNVISORS

Original Style Sun Visors Constructed on Original Colors



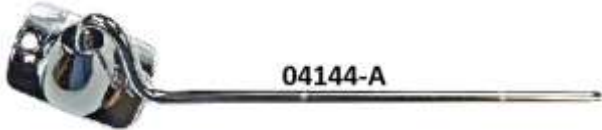
04104 (PAIR)

Sun Visors Color match our Upholstery Kits & Interior Parts

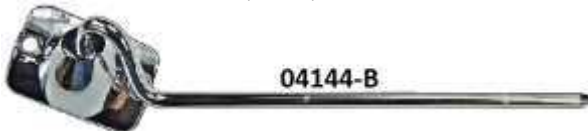
04104-A	1956 White (Sold in Pairs).....	179.00
04104-B	1957 White (Sold in Pairs).....	179.00
04104-C	1957 Red (Sold in Pairs).....	179.00
04104-D	1957 Blue (Sold in Pairs).....	179.00
04104-E	1957 Green (Sold in Pairs).....	179.00
04104-F	1957 Bronze (Sold in Pairs).....	179.00



04114	Elbow, Sun Visor (Chrome).....	9.95
04132	Clip to Retain Visor to Header.....	27.95
K04132	Kit, Visor Retainer Clip to Header.....	1.20



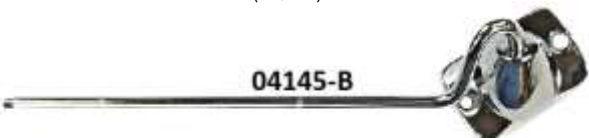
04144-A	Arm and Bracket Visor (56, RH).....	39.98
---------	-------------------------------------	-------



04144-B	Arm and Bracket Visor (57, RH).....	39.98
---------	-------------------------------------	-------



04145-A	Arm and Bracket Visor (56, LH).....	39.98
---------	-------------------------------------	-------

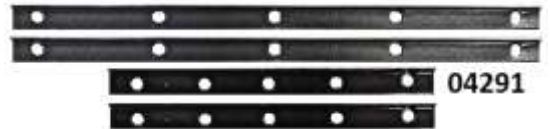


04145-B	Arm and Bracket Visor (57, LH).....	39.98
K04144	Kit, Visor Arm and Bracket to Header.....	1.20

1957 PADDED DASH



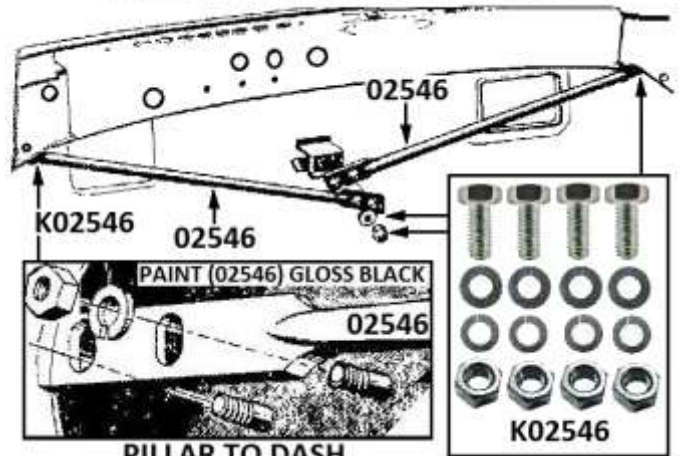
04290-C	Padded Dash 1957 Blue.....	490.00
04290-D	Padded Dash 1957 Black.....	490.00
04290-E	Padded Dash 1957 White.....	490.00
04290-F	Padded Dash 1957 Red.....	490.00
04290-G	Padded Dash 1957 Green.....	490.00
04290-H	Padded Dash 1957 Bronze.....	490.00



04291	Retainer Straps for (57) Padded Dash (Full Set).....	12.90
-------	--	-------



STABILIZER BAR INSTRUMENT PANEL

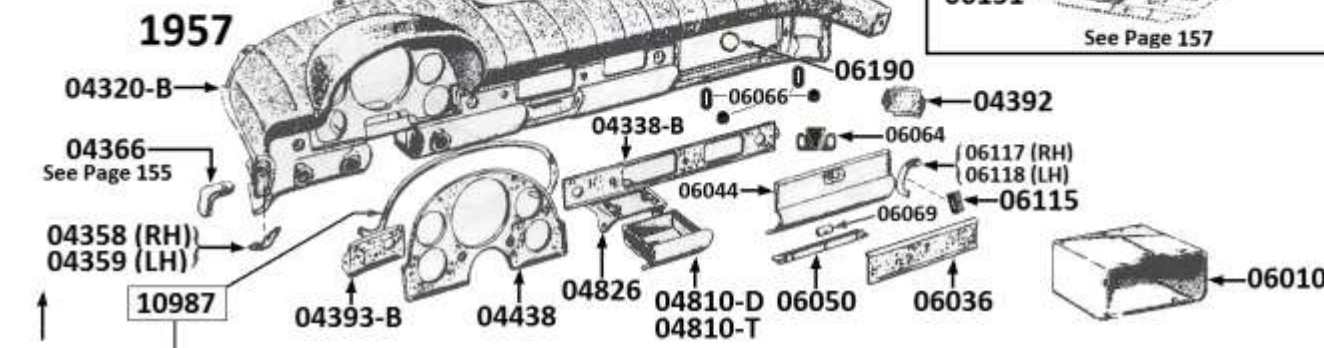
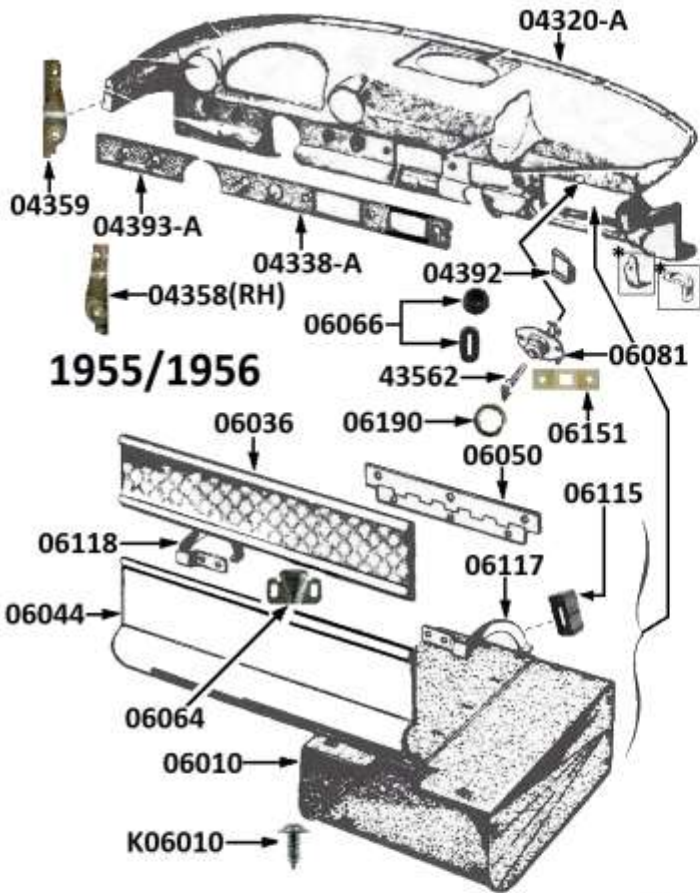


02546-A	Stabilizer, Instrument Panel (55/57) Front Body (RH & LH).....	25.00
02546-S	Stabilizer, Instrument Panel (55/57) Front Body (ST - LH).....	25.00
K02546	Kit, Cowl Braces to Dash & Firewall (05246).....	3.80



04366	Bracket, Dash Mounting.....	Call
-------	-----------------------------	------

1955/57 Thunderbird Dash Aluminum Trim & Related Dash Parts



10987 Retainer, Dash Pad over Instrument Cluster (Used Original) (Stainless Steel) (57) Call

DASH ALUMINUM TRIM 55/56

04338-A	Dash Trim Center (55/56)	115.00
04392	Dash Trim End RH (55/56)	59.00
04393-A	Dash Trim End LH (55/56)	59.00
06036	Spun Meal Trim Glove Box	125.00

DASH ALUMINUM TRIM 4-PIECE SET 55/56

04338-AK	Dash Trim Set (55/56 4-Pieces)	329.00
----------	--------------------------------	--------

K04338 (55-56-57)

K04338	Kit, Dash Trim to Dash & Glove Box Grommet Screws	1.10
--------	---	------

Bracket Instrumental Panel to Pillar

04366

See Page 155

Lock Assembly Glovebox Door

06081

06151

See Page 157

DASH TRIM ALUMINUM - 1957

04438

04438	Dash Trim Cluster (57)	125.00
-------	------------------------	--------

04338-B	Dash Trim Center (57)	115.00
04392	Dash Trim End RH (57)	59.00
04393-B	Dash Trim End LH (57)	59.00
04438	Dash Trim Cluster (57)	125.00
06036	Spun Meal Trim Glove Box	125.00

DASH ALUMINUM TRIM 1957

04338-BK	Dash Trim Set (57 4-Pieces)	Includes: 04338B, 04392, 04393A, 06036	329.00
04338-CK	Dash Trim Set (57 5-Pieces)	Includes: 04338B, 04392, 04393A, 04438, 06036	449.00
K04338	Kit, Dash Trim to Dash & Glove Box Grommet Screws		1.10



- 04358 Plate Dash Panel Lower End RH (55/57)..... 15.75
- 04359 Plate Dash Panel Lower End LH (55/57)..... 15.75
- K04358 Kit, Dash End Trim (04358-04359) to Doors..... 1.00



- 06010 Glove Box (55/57) 26.00
- K06010 Kit, Glove Box (06010) to Dash..... 1.50



- 06044 Glove Box Door (55/57, Used Original)..... 40.00



- 06050 Hinge, Glove Box Door (55/57, Replacement Type)..... 6.00
- K06050 Kit, Glove Box Hinge (06050) to Door & Dash..... 2.60



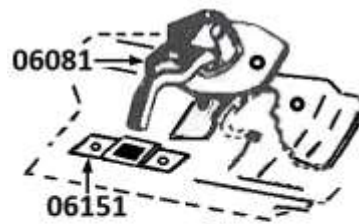
- 06064 Catch, Glove Box Door (55/57, Plated)..... 9.95
- 06066 Grommet and Bumper Set, Glove Box Door (55/57) 7.50



- K06464 Kit, Glove Box Catch to Dash..... 1.60
- K06466 Kit, Grommet and Bumper Set to Glove Box Door..... 0.90



- 06069 Spring, Glove Box Door (55/57)..... 7.99



- 06081-A Lock Assy. Glove Box (Used Original without Keys)..... Call
- 06081-B Lock Assy. Glove Box (Used Original with Keys)..... Call
- K06081 Kit, Glove Box Latch (06081) to Door..... 0.00



- 06115 Bumper Glove Box Door Arm (55/57) 2.40
- 06117 Arm, Glove Box Door (55/57, New RH)..... 6.40
- 06118 Arm, Glove Box Door (55/57, New LH)..... 6.40
- K06117 Kit, Glove Box Arms (06117-06118) to Door..... 1.60
- 06151 Catch, Glove Box Lock (Plastic) 7.80
- K06151 Kit, Glove Box Latch Plastic Guide (06151) to Dash..... 2.00



- 06190 Bezel, Glove Box Lock 6.95
- 06190-C Bezel, Glove Box Lock with legs, Use on 57 Dash Pad 9.00



- 04407 Emblem Glove Box V8 (55/56) 18.45
- 04460 Nameplate on Dash (55/56, Not Safety Pad) 22.95

ASH TRAY RELATED PARTS

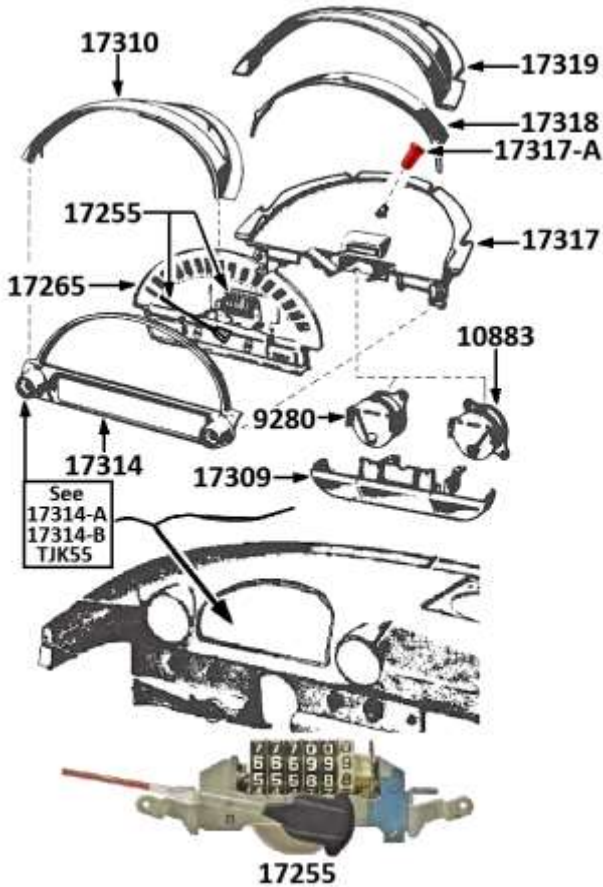


- 04810-D Door Ash Tray (Used Original) (55/57)..... 20.00
- 04810-T Ash Tray (Used Original) (55/57)..... Call



- 04826 Ash Tray Track Retainer (55/57)..... 15.00
- K04810 Kit, Ash Tray to Dash and Ash Tray Door..... 1.80

1955/1956 Thunderbird Speedometer Cluster and Related Parts



Thunderbird Speedometers were Registered at 140 MPH

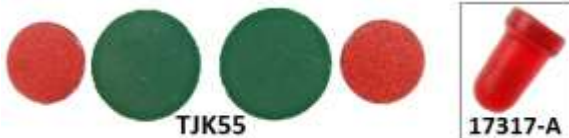
- 17255-A Speedometer (55/56) Call
- Core Charge, Speedometer..... 200.00



- 17265 Speedometer Face without Recessed Numbers (55/56)..... 48.50
- 17265-A Speedometer Face with Recessed Numbers (55/56)..... 46.00
- 17309 Holder, Lower Gauge Cluster (55/56)..... 15.00
- 17310 Dome Frame - Metal for Speedometer Face (55/56)..... 25.00
- 17314 Housing Lower Cluster (55/56) 25.00



- 17314-A Retainers, Turn Signal Lenses (55/56, Pair)..... 8.35
- 17314-B Bezels, Turn Signal Lenses (55/56).....Each 15.95



- TJK55 Jewel Kit, Red Plastic Inserts for Oil & Generator Lights
Green Inserts for Turn Signals (55/56) 5.80
- 17317 Housing Speedometer Cluster (55/56) 40.00
- 17317-A Lens, High Beam Indicator (55/56) 10.90
- 17318 Retainer for Plastic Speedometer Dome (55/56)..... 10.00



- 17319 Dome Plastic Speedometer (55/56)..... 29.95



- 10845 Clip, Speedometer Retaining (4-Per Car) (55/56).....Each 4.50



- 9280-B Fuel Gauge and Sending Unit Set, Replace Dash
Looks Original (12-Volt Only) (55/56) 149.95
- 9280-BR Fuel Gauge (Rebuilt Original) (55/56)..... Call
- Core Charge..... 100.00



- 10883-A Temperature Gauge, New (6-Volt) (55) 89.95
- 10883-B Temperature Gauge, New (12-Volt) (55/56) 89.95
- 10883-B6 Temperature Sender & Dash Gauge Set (55/56) 128.95
- 13785-A Terminal for Temperature Sender (55/56) 4.00
- 10883-AR Temperature Gauge (Rebuilt, 6-Volt) (55) Call
- 10883-BR Temperature Gauge (Rebuilt, 12-Volt) (56) Call
- Core Deposit 100.00

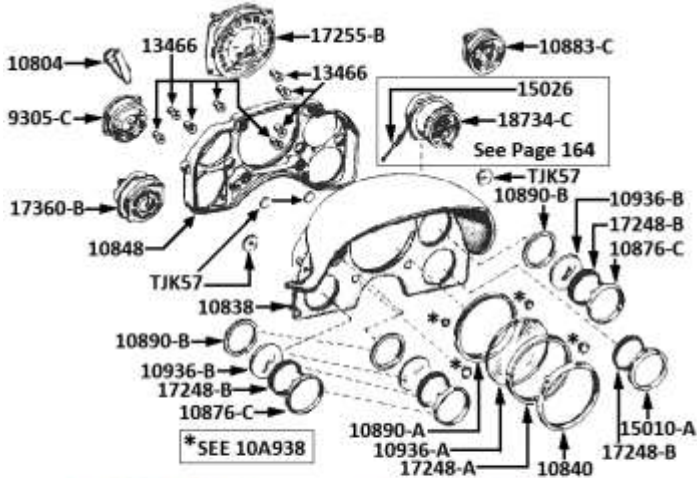


- 10884-A Temperature Sender (6-Volt) (55)..... 79.70
- 10884-B Temperature Sender (12-Volt) (55/56)..... 79.70
- 10884-B6 Temperature Sender (Only for 10883-B6) 31.95



- 10885-AK Temperature Gauge & Sender Kit (6-Volt) (55) 165.00
- 10885-BK Temperature Gauge & Sender Kit (12-Volt) (55/56) 165.00

1957 INSTRUMENT CLUSTER



10804



10804-A

- 10804 Regulator, Instrument Voltage (Replacement) (57) 37.90
- 10804-A Regulator, Instrument Voltage (Original) (57) Call

Pulsating Voltage Regulator provides reduced Voltage (Max 9V) to Fuel & Temp Gauges.

This unit must be grounded before power is applied. If not, the Fuel & Temp gauges will fail.

- 10838 Housing, Instrument Cluster (Used Original) (57) Call



10890-B



17-BULBS USED AT INSTRUMENT CLUSTER FOR ADDITIONAL BULBS SEE PAGE 113

13466-57

- 10890-A Mask, Instrument Cluster (Use Original) (57) 8.00
- 10890-B Mask, Instrument Cluster (57) 6.00
- 13466-57 Bulb, Hi-Beam, Instrument Panel, Oil & Charge Turn Signal Indicator (56/57) 1.19



10936-A



10936-B

- 10936-A Lens, Glass Speedometer Gauge (57) 4.50
- 10936-B Lens, Glass Tachometer / Fuel / Temperature (57) 3.45



(Set of 4)

10A938

- 10A938-C Bezel Kit, Dash Indicator Lights (Chrome, 57) 50.00
- 10A938-S Bezel Kit, Dash Indicator Lights (Stainless Steel, 57) 35.00



TJK57

- TJK57 Jewel Kit (57) 8.40



10884-C



15010-A

- 10884-C Temperature Sender (57) 24.20
- 15010-A Trim Ring, Clock (Chrome) (57) 25.00

Voltage Reducer

The MGR-1 supplies the correct voltage for original 6-volt gauges in upgraded 12-volt systems. Up to three gauges can be connected to the reducer.

NECESSARY WIRING AND INSTRUCTIONS INCLUDED

MGR-1 Voltage Reducer 12-Volts to 6-Volts 99.00

BEZEL SET DASH INSTRUMENTS 10876 Or 10877-AK

10876 Kit Made in the USA

- 10876 Bezel Set, Dash Instruments (Set of 5) (USA) (57) 200.00
- 10877-AK Bezel Set, Dash Instruments (Set of 5) (57) 109.95
- 10840-A Trim Ring, Speedometer (Chrome) (57) 35.00
- 10876-C Trim Ring, Gauges (Chrome) (57) 20.00
- 15010-A Trim Ring, Clock (57) 25.00

- 17248-A Seal, Speedometer Trim Ring (57) 1.60
- 17248-B Seal, Small Instrument Trim Ring (57) 1.50

FUEL AND TEMPERATURE GAUGES



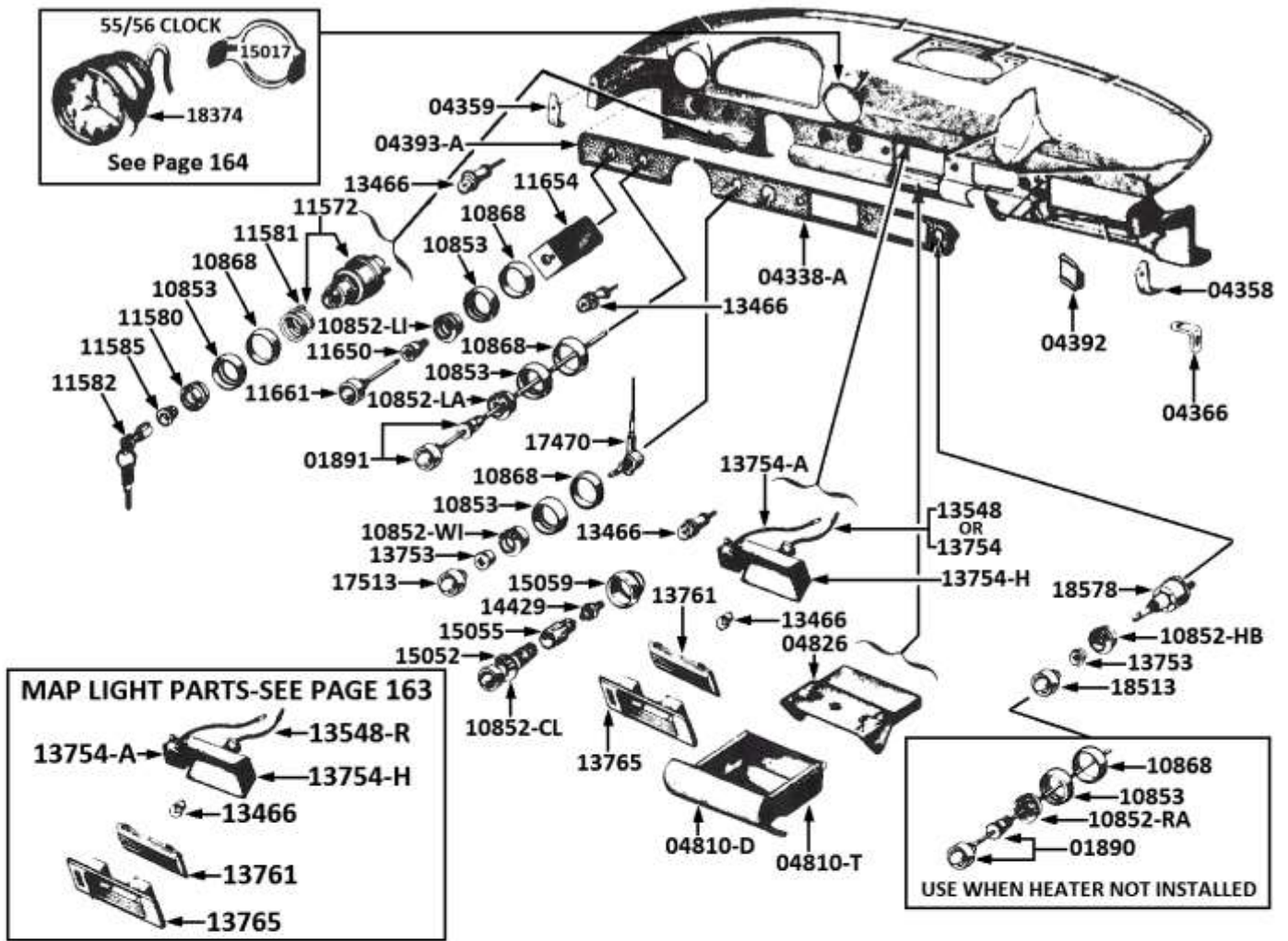
9305-C



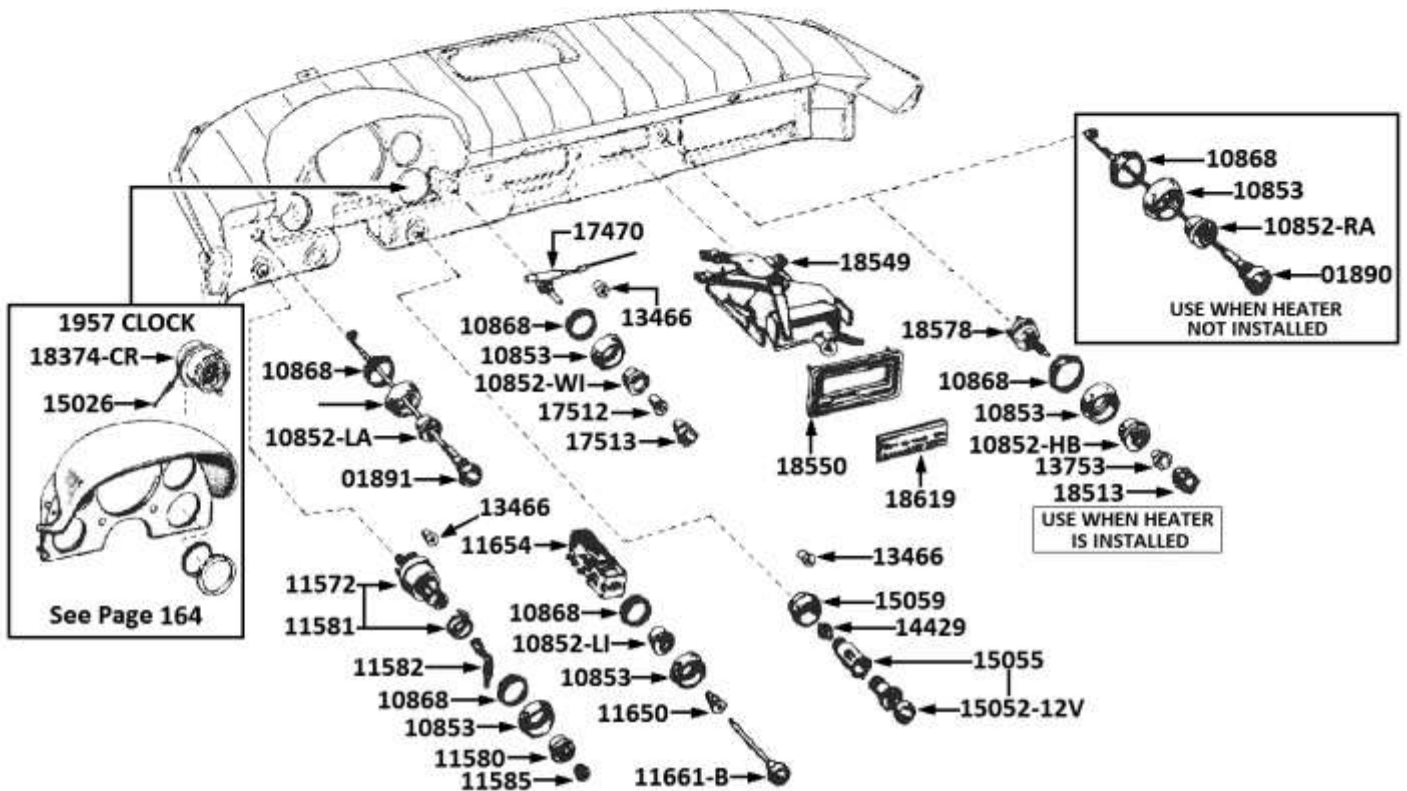
10883-C

- 9305-C Fuel Gauge (New Reproduction 12-Volt) (57) 99.95
- 9305-CR Fuel Gauge (Rebuilt 12-Volt) (57) Call
- Core Charge for 9305-CR 100.00
- 10883-C Temperature Gauge (New Reproduction 12-Volt) (57) 99.95
- 10883CR Temperature Gauge (Rebuilt 12-Volt) Call
- Core Charge on 10883-AR-BR-CR 100.00
- 17255-B Speedometer (Rebuilt Exchange) (57) **See Page 135** Call
- 17360-B Tachometer (Rebuilt Exchange) (57) **See Page 136** Call
- 18374-CR Clock (Rebuilt Exchange) (57) **See Page 170** Call

1955/1956 Thunderbird Dash Controls and Related Parts



1957 Thunderbird Dash Controls & Related Parts



IGNITION SWITCH PARTS



10853 **10868**

- 10853 Bezel, Dash Knobs Outer..... 14.50
- 10868 Pad between Dash Outer Bezel and Dash 1.85



11572-A **11580**

- 11572-A Ignition Switch, Made with Correct Studs..... 24.95
- 11580 Dash Bezel, Inner Ignition Switch..... 19.95



11581 **11582** **11585**

- 11581 Spring, Ignition Switch..... 3.00
- 11582 Cylinder & Keys, Ignition Switch Lock..... 19.95
- 11585 Retainer Nut, Ignition Switch..... 14.95

LEFT AIR CABLE PARTS



10852-LA **10853** **10868**

- 10852-LA Dash Bezel, Inner Left Air 17.75
- 10853 Bezel, Dash Knobs Outer..... 14.50
- 10868 Pad between Dash Outer Bezel and Dash 1.85



01891

- 01891 Cable, Vent Control with Knob LH 41.95

HEADLIGHT SWITCH PARTS



10852-LI **10853** **10868**

- 10852-LI Dash Bezel, Inner Headlamp Switch..... 17.75
- 10853 Bezel, Dash Knobs Outer..... 14.50
- 10868 Pad between Dash Outer Bezel and Dash 1.85

HEADLIGHT SWITCH PARTS -CONTINUE



11650-A **11650-B**

- 11650-A Nut, Headlamp Switch Retainer (55/56) 14.60
- 11650-B Nut, Headlamp Switch Retainer (57) 14.95



HEADLIGHT SWITCH FUSE SOLD SEPERATLY

11654-A **11654-B**

- 11654-A Headlamp Switch (6-Volt) (55)..... 59.95
- 11654-B Headlamp Switch (12-Volt) (55/57)..... 54.95



**PARK LIGHT KIT
PARK LIGHTS ON WHEN
HEADLIGHT SWITCH IS ON**

- 11654-AP Kit, Park Lights on (55) 9.95
- 11654-BP Kit, Park Lights on (56/57) 9.95



11661-B (SHOWN)

- 11661-A Knob & Shaft, Light Control (55/56)..... 20.95
- 11661-B Knob & Shaft, Light Control (57)..... 20.95



14526-SFE9 **14526-SFE75**

- 14526-SFE9 Fuse, Headlight Switch (6-Volt, 9A) (55) 1.00
- 14526-SFE75 Fuse, Headlight Switch (12-Volt, 7.5A) (56/57) 1.00

RIGHT HAND AIR NO HEATER



10852-RA **10853** **10868**

- 10852-RA Dash Bezel, Inner Right Air (No Heater)..... 17.75
- 10853 Bezel, Dash Knobs Outer 14.50
- 10868 Pad between Dash Outer Bezel and Dash 1.85
- 01890 RH Vent Control Knob (Complete)
Used only on T-Birds with No Heater 41.95

WIPER SWITCH PARTS



10852-WI **10853** **10868**

10852-WI	Dash Bezel, Inner Windshield Wiper Control	17.75
10853	Bezel, Dash Knobs Outer	14.50
10868	Pad between Dash Outer Bezel and Dash	1.85

**Also See Pages
131-134 for Additional
Wiper Related Parts**



17470

17470	Wiper Switch Assembly, Dash to Wiper Motor	59.95
17470-A	Same as Above (Used Original)	Call



13753 **17512** **17513**

13753	Nut, Wiper Control (55/56)	12.95
17512	Nut, Wiper Control (57)	12.95
17513	Knob, Wiper Control (Black/Chrome)	15.75

HEATER BLOWER SWITCH PARTS



10852-HB **10853** **10868**

10852-HB	Dash Bezel, Inner Heater Switch	17.75
10853	Bezel, Dash Knobs Outer	14.50
10868	Pad between Dash Outer Bezel and Dash	1.85



13753 **18513**

13753	Nut, Heater Control (55/57)	12.95
18513	Knob, Heater Blower (Black/Chrome)	16.55



18578

18578	Switch, Heater Blower (2-Speed)	32.85
-------	---------------------------------------	-------

CIGARETTE LIGHTER PARTS



15052-12V (Shown)

**15056 WIRE INCLUDED WITH
15052-6V and 15052-12V**

15052-6V	Lighter, Complete Reproduction w/ Socket 6V Like Original	51.95
15052-12V	Lighter, Complete Reproduction w/ Socket 12V Like Original	43.95



15052 **15052-D**

15052-A	Element Only, 12-Volt Cigarette Lighter	5.85
15052-D	Element Only, 6-Volt Cigarette Lighter	13.85



**14429 Screws into the
back of the 15052/15055
15052 Included
with 15055**

14429

15055

**If 14429 Fuse not Available
you can Install a Inline Fuse**

14429	Fuse Assembly, Cigarette Lighter	Call
15055	Lighter Socket & Element Assembly (56/57, 12V)	17.95



15056

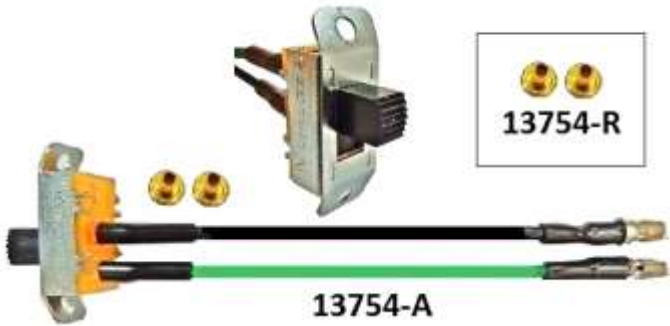
15056	Wire with Right Angle Connector, Supplied with Reproduction Lighters	3.85
-------	---	------



10852-CL **15056-K** **15059**

10852-CL	Dash Bezel, Inner Cigarette Lighter	17.75
10868	Pad between Dash Outer Bezel and Dash	1.85
15056-K	Knob Only, Cigarette Lighter, Like Original Does not Include "Lighter" Bezel	20.95
15059	Bezel, Cigarette Lighter	21.95

MAP LIGHT 55/57



- 13754-A Switch, Map Light with Leads & Rivets 9.90
- 13754-R Rivets for (13754-A) Switch.....Each 0.75



- 13754-H Housing, Map Light (Used Original) Call
- 13761 Lens, Map Light 7.30



- 13765 Housing, Map Light (Chrome) 22.95



- 13754-B5S Map Light Socket and Wire (55)..... 17.20
- 13754-B6S Map Light Socket and Wire (56)..... 18.75



- B5S13754ALB Map Light Socket (55) 17.20
- B6S13754ALB Map Light Socket (56/57) 18.75



- FAC13796AP Map Light Wire 6.15



- 10853-T Dash Bezel Nut Tool..... 7.95

DASH KNOB BEZEL KIT-PLASTIC



- 10852-CL 10852-HB 11580 10852-LA 10852-LI 10852-WI
10852-K Dash Bezel Kit (55/57) 101.95



- 10853-K Chrome Bezel Kit, (1) 15059 (5) 10853 90.95

DASH KNOB & BEZEL KIT-55/56



- Includes: 10852CL,10852HB,11580, 10852LA,10852LI
10852WI ,11661A,15056, 17513,18513,01891

- 10855-KA Dash Knob Kit (55/56) 309.95

DASH KNOB & BEZEL KIT-1957



- Includes: 10852CL,10852HB,11580, 10852LA,10852LI
10852WI ,11661B,15056, 17513,18513,01891

- 10855-KB Dash Knob Kit (57) 309.95



- 10852-AK Knob Kit: Includes One Each: 01891, 11661A,
15056K, 17513, 18513 (55/56) 112.95

- 10852-BK Knob Kit - Same as Above uses 11661B (57) 112.95

- 11661-A Knob & Shaft, Light Control (55/56) 20.95
- 11661-B Knob & Shaft, Light Control (57) 20.95
- 15056-K Knob Only, Cigar Lighter - Like Original
Does Not Include "Lighter" Bezel 20.95
- 17513 Knob, Wiper Control (Black/Chrome)..... 15.65
- 18513 Knob, Heater Blower (Black/Chrome)..... 16.55
- 01890 Vent Control Cable with Knob (Complete) (RH)
Used only on T-Birds with No Heater 41.95
- 01891 Vent Cable Control with Knob (LH)..... 41.95



- 10853 Bezel Dash Knobs Outer..... 14.50
- 10868 Pad between Dash Outer Bezel and Dash 1.85
- 15059 Bezel Cigarette Lighter..... 21.95

1955/57 Clock & Related Parts

1955/57 Radio & Related Parts

Also see Page 165 for Additional Radio - Speaker Parts



18374-AR Clock Rebuilt Exchange Original 6-Volt (55) Call

18374-BR Clock Rebuilt Exchange Original 12-Volt (55/56)..... Call

18374-CR Clock Rebuilt Exchange Original 12-Volt (57)..... Call
Core Deposit on all Clocks 200.00



Recessed Numbers Like Original



17361-CF

18374-C

17361-CF Face, Clock with Recessed Numbers (55/56) 21.00

17362 Face, Clock without Recessed Numbers (55/56) 23.95

18374-C Clock Face with F&S Marks and Arrows (1957)..... 10.45



18374-D



18374-E

18374-D Knob, Clock (55/56) Call

18374-E Knob, Clock - Chrome (57) 7.90



18374-H



15017

18374-H Housing, Clock Bezel (55/56, Used Original) Call

18374-HC Housing, Clock Bezel (55/56, Used Original Chromed) Call

15017 Bracket, Retains Clock to Dash (55/56) 14.85



18375



Quality Replacement 15026-A Authentic B6A15026A

15026-A Wire, Electric Clock Feed with Fuse (56/57) 17.00

B6A15026A Wire, Electric Clock Feed with Fuse Holder (56/57)..... 28.80

18375 Gasket, Clock (57) 2.85



AGA1



AGA3

13466-55 13466-57

13466-55 Bulb, Clock (55, 6-Volt)..... 2.39

13466-57 Bulb, Clock (56/57, 12-Volt)..... 1.19

14526-AGA1 Fuse, Clock (56/57, 12-Volt-1A) 1.35

14526-AGA3 Fuse, Clock (55, 6-Volt-3A) 1.35



1955/57 THUNDERBIRD RADIO IN CHROME

200 Watts 4 x50, Electronic Volume & Tuning Controls, Auxiliary Inputs
4 Channel RCA Outputs, Upgraded AM/FM Turner, 18FM/12AM Presets
Separate Bass & Treble Controls.

18806-A Radio, 200 Watt 249.00



1955/57 THUNDERBIRD RADIO IN CHROME

300 Watts, AM/FM RDS Tuner with 25 Pre-Sets 15FM/10AM, Bluetooth
USB Port for Flash Drive MP3/WMA/FLAC/WVA Playback, LCD Dimmer
Electronic Tuning and Volume Control, Bass/Mid/Treble/Tone Control

18806-BT Radio, 300 Watt with Bluetooth 379.00



1955/57 THUNDERBIRD RADIO IN CHROME

300 Watts AM/FM Receiver with CD Changer, IPOD Control, USB Player
RCA Outputs and Aux. Inputs for IPOD, MP3,DVD,Satellite etc.
Digital Clock, Separate Bass/Treble/Fader/Balance, Electronic Tuning
Preset Stations, 4-Channel RCA Outputs, Seek and Tune, ISO Connect

18806-C Radio, 300 Watt 299.00

Look alike Reproduction Radios for 1955(12V) 1956-1957

180 Watts Maximum Power, Uses Original Antenna, LED Dial Light
Digitally Tune AM/FM Stereo, Bluetooth 3.0edr Complaint, HFP
Correct Knobs and Push Buttons, 10 Presets (5AM, 5FM) etc.



DO NOT USE ORIGINAL SPEAKERS

1955 Ford Thunderbird AM/FM Stereo Radio

18806-D Radio, Reproduction Like Original (55) 750.00



DO NOT USE ORIGINAL SPEAKERS

1956-57 Ford Thunderbird T&C AM/FM Stereo Radio

18806-F Radio, Reproduction Like Original (56/57) 850.00

POWER INVERTER

Convert 6V Positive Ground to 12V Negative Ground so that Modern accessories like the 18806A,B,C Radios.



- 18805-I Power Inverter with Instructions 109.00
- 18810 Nut, Special Thin for Radio Shafts 1.50
- 18832-R Condenser, Radio Suppression (Replacement) 24.95



- 18829-D Radio Knobs, Black & Chrome "D" Shaft 15.75
- 18829-S Radio Knobs, Black & Chrome "Split" Shaft 15.75
- 18830 Radio Bezel Disc Knob (Chrome) 13.00

Original 55/56 Radios use (2) 18829S
Original 1957 Radio use (1)18829D & (1)18829S
Can use 18829S on our 18806-A, B, C Radios



- 18870-A Hood Grounding Clip (55) 3.95
- 18870-B Hood Grounding Clip (56/57) 3.95
- 18912-H Grommet, Antenna Lead 3.50



- 18813 Antenna Kit, Concours with Groove at Base 69.95
- 18813-A Antenna Kit, Rear Deck Mount (57) 114.95
- 18813-AR Antenna Kit with Removable Mast (55/57) 94.95
- 18813-C Antenna Kit, Replacement (Fender Mount) 59.95
- 18919-A Gasket, Antenna Base 3.00
- 18919-B Stanchion, Antenna Black Plastic 11.00
- 18919-C Gasket, Antenna Base Rear Mount Antenna (57) 6.50
- 18869 Radio Volume Control Wire (Also see Page 148) Call



- 18806-FA Radio Face (55) Call
- 18806-FB Radio Face (56/57) Call
- 18806-SA Radio Support Brace (55 RH, Used Original) Call
- 18806-SB Radio Support Brace (55 LH, Used Original) Call
- 18806-SC Radio Support Brace (56/57 RH, Used Original) Call
- 18806-SD Radio Support Brace (56/57 LH, Used Original) Call



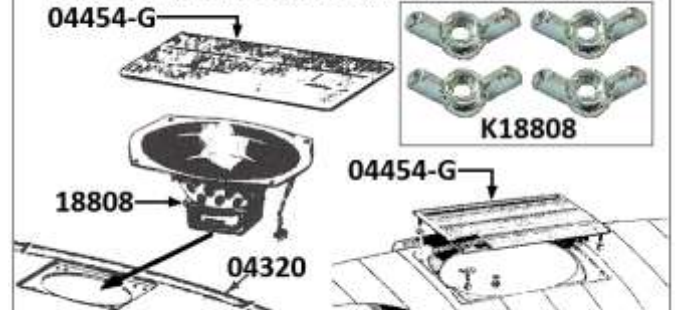
536273

- 533223 Lens, Radio Dial (55, Plastic) 19.95
- 536273 Lens, Radio Dial (56/57, Plastic) 19.95
- 18805-AK Radio Tube Set (55, without Vibrator) 89.95
- 18805-BK Radio Tube Set (56, without Vibrator) 109.95
- 18805-CK Radio Tube Set (57) 89.95
- 18805-D Radio Vibrator (55, 6-Volt) 49.95
- 18805-E Radio Vibrator (56/57, 12-Volt) 49.95
- 18806-567 Radio, (Used Original, 1955, 1956, 1957) Call



- 18813-T Antenna Nut Wrench 9.95
- 18813-TP Antenna Nut Wrench (Plastic) 6.95

DASH SPEAKER GRILLE AND RELATED PARTS



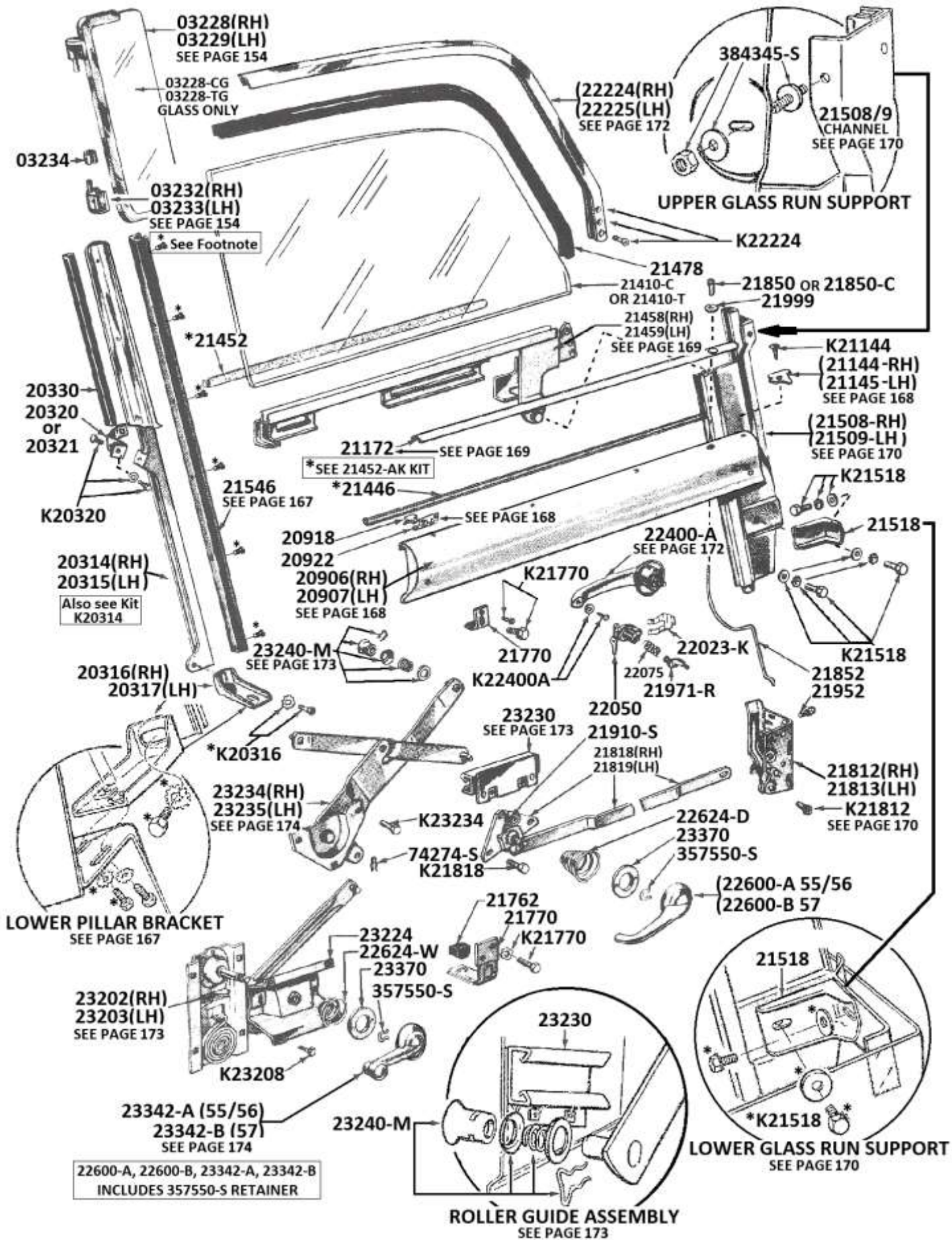
- 18807 Front Speaker Wire 21.70
- FEA18807 Front Speaker Wire 21.70
- 18808 Speaker, Standard 6" x 9" (Replacement) 24.95
- 18808-A Speaker, DVC Dual-Voice Coil 140 Watt Upgrade 65.00



- 04454-G Speaker Grille (Used Original) Call
- K04454 Kit, Speaker Cover to Dash 1.40
- K18808 Kit, Radio Speaker (18808) to Dash (Wing Nuts) 2.40



- 04454-A Spacer Kit, Speaker Grille (57) 3.80
- 04454-S Stud, Retains Speaker Grille into Dash (4-55/56, 2-57) 2.20
- 04454-SL Stud, Retains Speaker Grille into Dash (2 Req 57) 2.50



1955/1957 Thunderbird Door Related Parts



20314(RH) 20315(LH)

20314-A	Door Pillar Post (55, RH Reproduction)	195.95
20314-B	Door Pillar Post (56/57, RH Reproduction)	195.95
20315-A	Door Pillar Post (55, LH Reproduction)	195.95
20315-B	Door Pillar Post (56/57, LH Reproduction)	195.95

21546

21546	Run, Door Glass, Hinge Side	39.00
-------	-----------------------------	-------



**KIT TO ATTACH
21546 DOOR
GLASS RUN
ALSO SEE KIT K21546B**

K21546A	Kit, Door Glass Run to Pillar	3.00
---------	-------------------------------	------

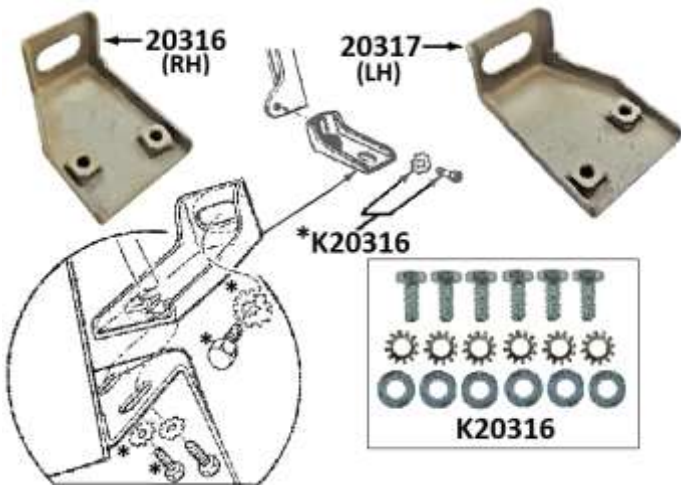


21546-T



K21546B

21546-T	Tool to Install (K21546B) Rivets	22.00
K21546B	Kit, Door Glass Run to Pillar (Rivet Type) <i>Requires (21546-T) Tool to Install</i>	4.80



20316 (RH)

20317 (LH)

***K20316**



K20316

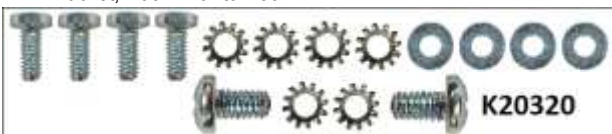
20316	Bracket, Door Post Mounting (RH Used)	Call
20317	Bracket, Door Post Mounting (LH Used)	Call
20318	Shield, Plastic Between Door and Door Panel	3.00



20320

20321

20320	Bracket, Door Pillar to Door RH	13.60
20321	Bracket, Door Pillar to Door LH	13.60



K20320

K20320	Kit, Bracket Door Pillars (20320-20321) to Doors	3.00
--------	--	------

20330

20330	Weatherstrip, Door Pillar (Original Size)	2.95
08008	3M Black Weatherstrip Adhesive (5oz Tube)	17.50



20530-PR (PAIR)

See 20530 RH
See 20531 LH



**Install Using 3M Black
Weatherstrip Adhesive**

20530-PR	Weatherstrip, Door (55/57, RH-LH, Pair) Best Quality	75.00
20530	Weatherstrip, Door (55/57, RH)	34.70
20531	Weatherstrip, Door (55/57, LH)	34.70
08008	3M Black Weatherstrip Adhesive (5oz Tube)	17.50



DOOR WEATHERSTRIP KIT

18912

18912

20530-1

22448

22448

20571

22428

22428

20330

20330

20570

20532-K	Door Weatherstrip Kit - Does both Doors (55/57)	96.95
18912	Grommet, on Door at Door Pillar (55/57)	Each 3.45



DOOR BELT WEATHERSTRIP

20570(RH) 20571(LH)

21134



20571

**Install Using 3M Black
Weatherstrip Adhesive
20570**

20570	Weatherstrip on Door at Belt RH (56/57)	4.20
20571	Weatherstrip on Door at Belt LH (56/57)	4.20
08008	3M Black Weatherstrip Adhesive (5oz Tube)	17.50



20572

20573



K20572

20572	Retainer, Door with Strip above Lock RH (57)	13.25
20573	Retainer, Door with Strip above Lock RH (57)	13.25
K20572	Kit, Door Weatherstrip Retainers to Doors	1.20

1955/1957 Thunderbird Door Related Parts



20768	Shield, Wiring Protector Door RH	34.95
20769	Shield, Wiring Protector Door LH.....	34.95
K20768	Kit, Door Wiring Shields to Doors.....	1.30



21122	Door Access Panel (Used Original)	Call
21122-F	Door Access Panel (Fiberglass)	45.00
21122-S	Door Access Panel (Metal Replacement).....	59.90
21122-57	Door Access Panel (Flat, Use on 1957 Only).....	20.95
K21122	Kit, Door Access Panels to Doors.....	3.60

SPACER DOOR MOULDING - FRONT



21134	Spacer, Door Molding Front (Steel RH).....	44.95
21135	Spacer, Door Molding Front (Steel LH).....	44.95
K21134	Kit, Door Molding Spacers to Doors (w/351802-S).....	5.80

PLATE (TEXAS) DOOR GARNISH



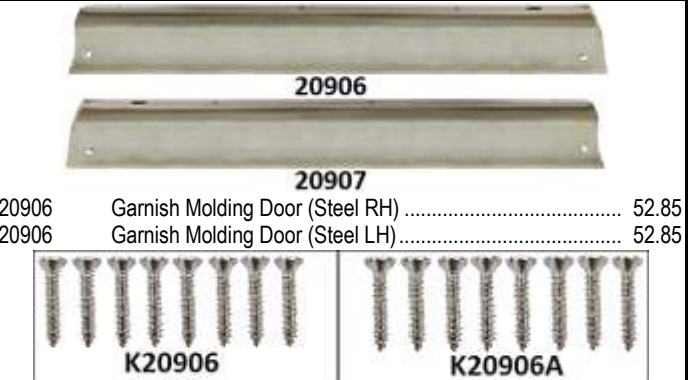
21144-A	Plate, Door Garnish Lock Side (Early 55, RH 1 Hole)	30.95
21144-B	Plate, Door Garnish Lock Side (55/57, RH 2 Hole).....	18.95



21145-A	Plate, Door Garnish Lock Side (Early 55, LH 1 Hole).....	30.95
21145-B	Plate, Door Garnish Lock Side (55/57, LH 2 Hole)	18.95



K21144A	Kit, Door Garnish Plates to Doors.....	0.90
K21144B	Kit, Door Garnish Plates to Doors.....	1.80



20906	Garnish Molding Door (Steel RH)	52.85
20906	Garnish Molding Door (Steel LH).....	52.85

K20906	Kit, Door Garnish Rails to Doors.....	1.80
K20906A	Same as Above with Oversize Threads.....	2.10

GARNISH RAIL COVER



These Color-Matched Strips of Vinyl are used to cover the Door Garnish Rail and the Garnish Rail at the Rear Deck area behind the Seat. Ask about Leather Garnish Rail Covers.

TGC55BK	1955-1956 Black	21.50
TGC55GN	1955 Green	21.50
TGC55RD	1955 Red.....	21.50
TGC56BS	1956 Buckskin.....	21.50
TGC56GN	1956 Green	21.50
TGC56PK	1956 Peacock	21.50
TGC56RD	1956 Red.....	21.50
TGC57BK	1957 Black.....	21.50
TGC57BU	1957 Blue	21.50
TGC57BZ	1957 Bronze.....	21.50
TGC57GN	1957 Green	21.50
TGC57RD	1957 Red.....	21.50
TGC57WT	1957 White.....	21.50



20918	Retainer, Door Window Garnish Bracket.....	Call
20922	Bracket, Door Garnish Rail	24.50



21032	Retainer, Door Panel at Bottom (57, RH-LH).....	15.90
K21032	Kit, Door Panel Retainers (21032-3) to Doors.....	1.60

DOOR PANEL TRIM-ALSO SEE PAGE 197

- 20920 Molding, L-Shape Door Trim RH 16.85
- 20921 Molding, L-Shape Door Trim LH..... 16.85
- 21166 Panel, Door Trim RH 129.45
- 21167 Panel, Door Trim LH..... 129.45
- 21167-C Panel, Door Trim LH with Hole for P/S Switches 135.95
- K21166 Kit, Screws at Front of 21166 & 21167 Door Panel Trim.... 1.00



DOOR PANEL ALUMINUM TRIM KIT

- Kit 21166-K Includes: (1) 20920 (1)20921 (1) 21166 (1) 21167
- Kit 21166-KP Includes:(1) 20920 (1) 20921 (1) 21166 (1) 21167C
- 21166-K Door Panel Trim Kit (Manual Seats)..... 284.95
- 21166-KP Door Panel Trim Kit (Power Seats)..... 289.95

- 21172 Molding, Door Trim Garnish (Stainless) 39.95
- K21172 Kit, Door Molding Trim (21172) to Garnish Rail 11.50
- 358566-S Retainer, Door and Upper Back Panel Garnish 1.60

DOOR GLASS

***Date code can be put on glass for \$6.00 each glass.
Please advise us of the production date.
Door glass has an extra boxing fee added to the shipping cost due to how it is packed.**

- 21410-C Glass, Door Clear with FOMOCO 59.00
- 21410-T Glass, Door Tinted with FOMOCO 59.00
- 21410-DC Glass, Door Date Code Additional 7.00

- 21446 Cat Whisker, Door Glass (Inner Pair) 26.95
- K900A Staples for (21446, Pkg of 12) 3.75
- 21452 Cat Whisker, Door Glass (Outer Pair with Clips) 29.40
- 21452-S Cat Whisker Clip for (21452) 1.00

CAT WHISKER SET

- Includes: (2) 21446, (2) 21452
- 21452-AK Cat Whisker Set..... 54.95
- K900A Staples for Seals and Weatherstrips (Pkg of 12)..... 3.75



- 21458 Channel Assembly, Door Glass RH..... 125.00
- 21459 Channel Assembly, Door Glass LH 125.00

- Coat with Light Oil, Trim Excess. 1 per Glass **21410-A**
- 21410-A Retainer Strip for Door Glass (21410) at Bottom..... 1.50
- 21478 Retainer, Door Glass Upper (Rubber)..... 3.95
- 21478-B Retainer, Door Glass Upper (Correct Cloth Material) (57) .. 6.10

1955/1957 Thunderbird Door Related Parts



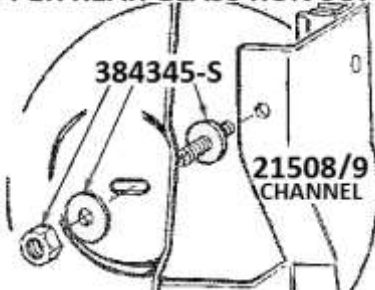
- 21508-RA Channel Assy Rear (55/56, RH Original) Call
- 21508-RB Channel Assy Rear (57, RH Original) Call
- 21509-RA Channel Assy Rear (55/56, LH Original) Call
- 21509-RB Channel Assy Rear (57, LH Original) Call



- 21508-A Lining, Mole Skin on (21508 & 21509) Door Glass Run 4.00
- 21508-B Bumper, Window Stop (57, RH-LH) 6.25

1957 Stop goes at Bottom of Rear Channel
See 21760 or 21762 for 1955/56 Bumper Stop

UPPER REAR GLASS RUN SUPPORT



- 384345-S Adjusting Screw, Rear Door Glass Run Each 5.20

WINDOW RUN AND ANTI-RATTLE KIT



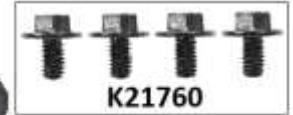
Includes the Following: (1) 21452AK Cat Whisker Set
(1) 21508A Lining - (Moleskin) Rear Channel Run
(1) 21546 Front Door Glass Run (1) K21546A Rivet Kit

- 21508-K Window Run and Anti-Rattle Kit (Does one Door) 124.95

LOWER GLASS RUN SUPPORT



- 21518 Bracket, Attaches to (21508-9) Channel (Used Original) Call
- K21518 Kit to Attach (21518) Bracket to Channel and Post 1.60



21762 Included with 21760
See 21508-B for 1957 Stop



- 21760 Bracket, Lower Window Stop with Bumper (55/56) 14.85
- K21760 Kit, Lower Window Stops to Access Panel 4.00
- 21762 Bumper, Lower Window Stop (Rubber) 1.85



- 21770 Bracket, Upper Window Stop (4 Needed per Car) 4.10
- K21770 Kit, Upper Window Stops to Door 4.80
- 354666-S Bolt, Door Internals 1.00

DOOR LATCH ASSEMBLY



- 21812-AR Door Latch, Rebuilt Exchange RH (55) 49.95
- 21813-AR Door Latch, Rebuilt Exchange LH (55) 49.95
- 21812-BR Door Latch, Rebuilt Exchange RH (56/57) 49.95
- 21813-BR Door Latch, Rebuilt Exchange LH (56/57) 49.95
- Core Charge for all Door Latches 100.00

Tech Tip: Door Latches should be Cadmium Plated

NEW REPRODUCTION DOOR LATCHES

- 21812-B Door Latch Assembly, New - RH (56/57) 109.00
- 21813-B Door Latch Assembly, New - LH (56/57) 109.00

- K21812 Kit, Door Latch Assembly to Door 5.60
- 21812-S Spring Inside Door Lock Assembly 5.20



- 21818 Remote Door Handle Control RH 52.25



- 21819 Remote Door Handle Control LH 52.25
- K21818 Kit, Door Remotes to Doors 6.00

1955/1957 Thunderbird Door Related Parts



- 21850 Lock Button (Chrome) (55/57)..... 7.95
- 21971-R Lever, Door Lock Operating..... 6.25
- 21999 Grommet, Door Lock Knob..... 1.10



- 21852 Rod, Door Lock Button..... 11.50
- 21910 Spring, Door Handle Remote..... 5.20
- 21952 Clip, Door Lock Rod Retaining..... Call



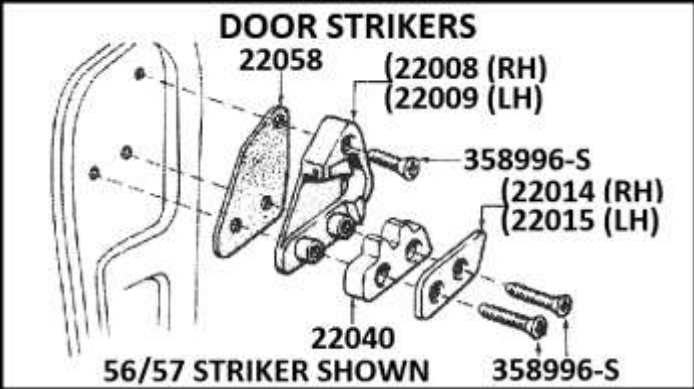
- 22014 Striker Plate Cover (56/57, RH)..... 15.65
- 22015 Striker Plate Cover (56/57, LH)..... 15.65



- 22040 Insert Only, Door Lock Striker (56/57)..... Each 13.45
- 22058 Shim, Door Lock Striker Plate (As Required)..... 2.00



- 354488-S Screw, Door Lock Striker Plate (55)..... Each 1.75
- 358996-S Screw, Door Lock Striker Plate (56/57)..... Each 1.75



DOOR STRIKER PLATE KIT - DOES BOTH SIDES

1955

- 22008-AK Kit, Plate Door Lock Striker (55, RH-LH)..... 62.95

- 22008-A Plate, Door Lock Striker (55, RH)..... 24.95
- 22009-A Plate, Door Lock Striker (55, LH)..... 24.95

- 22008-B Plate, Door Lock Striker (56, RH)..... 24.95
- 22009-B Plate, Door Lock Striker (56, LH)..... 24.95

- 22008-C Plate, Door Lock Striker (56/57, RH)..... 24.95
- 22009-C Plate, Door Lock Striker (56/57, LH)..... 24.95

1956

- 22008-BK Kit, Plate Door Lock Striker (56, RH-LH)..... 92.95

1956/1957

- 22008-CK Kit, Plate Door Lock Striker (55/57, RH-LH)..... 92.95

1955/1957 Thunderbird Door Related Parts



- 21971-R Lever, Door Lock Operating 6.25
- 22023-K Door Lock Clips - RH & LH (Pair)..... 10.25



- 22042 Gasket, Door Lock Cylinder Each 1.20
- 22050 Lock Set, Door & Ignition with Keys, All Keyed the Same .. 61.95

SEE PAGE 96 FOR 11582, 161 FOR IGNITION CYLINDER & KEYS
SOLD SEPARATELY. SEE PAGE 179 FOR TRUNK LOCK CYLINDER & KEYS

DOOR AND IGNITION LOCK SET - 55/57



Kit Includes: (2)21971R Lever, (1)22050 Door Lock Set
(1)22023K Lock Cylinder Retainers (2)22075 Retainer Springs

- 22050-K Door Lock Set & Ignition Kit with Keys..... 84.95



- 21984 Door Lock Cylinder (RH Only)..... 32.95
- 21985 Door Lock Cylinder (LH Only) 32.95
- 21984-L Door Lock, Flip Lid Only with Spring (RH) 7.95
- 21985-L Door Lock, Flip Lid Only with Spring (LH)..... 7.95
- 22053 Key Blank, Ignition Switch and Door..... 3.00



- 22075 Spring, Door Lock Operating Lever..... 1.00
- K-KEY Dash Knob Key, Looks like Other Dash Knobs
Has Been Modified to Hold an Ignition Key..... 17.50

DOOR GLASS STAINLESS MOULDING

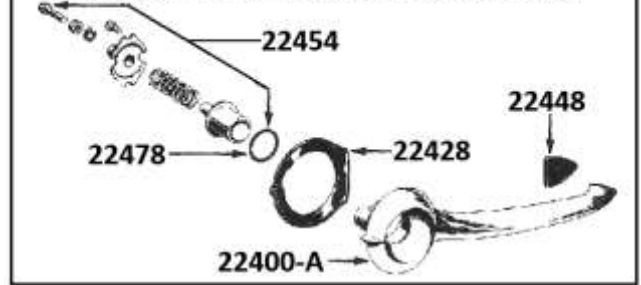


- 22224 Molding Door Glass (Stainless RH) Call
- 22225 Molding Door Glass (Stainless LH) Call
- K22224 Kit, Door Glass Stainless to Channel Casting..... 2.40
- 358477-S Screw, Door Glass Molding to Channel Casting..... Each 0.40



- 22400-A Door Handle, Die Casting (Chrome Plated, Pair) 45.50
- K22400A Kit, Install Door Handles (22400-A) 1.80

OUTSIDE DOOR HANDLE AND BUTTON



- 22428 Pad, Outside Door Handle (Large) 1.45
- 22448 Pad, Outside Door Handle (Small)..... 1.20
- 22428-K Pad Kit, Outside Door Handles (4-Pcs)
(2) 22428 & (2) 22448 5.10



- 22454-AK Outside Door Handle Button (55/56)..... 45.99
- 22454-BK Outside Door Handle Button (57)..... 45.99

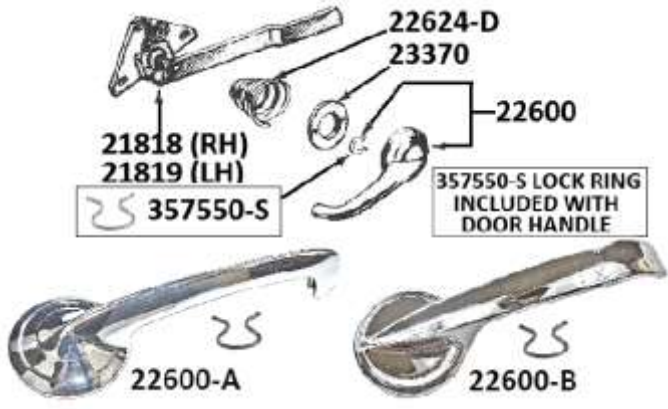


- K22454 Kit, Door Push Buttons to Door Handles..... 1.20



- 22462 Spring, Outside Door Handle Button..... 1.50
- 22478 Seal, Outside Door Handle Button..... 1.40

1955/1957 Thunderbird Door Related Parts



22600-A	Handle, Door Inside (55/56)	23.00
22600-B	Handle, Door Inside (57)	28.95
357550-S	Lock Ring Inside Door Handle, Comes with (22600)	0.50



22601-T	Tool, Door Handle Remover	9.95
22624-D	Spring, Behind Door Handle	1.65

INSIDE DOOR HANDLE KIT



KIT INCLUDES: (2) 22600A (2) 22624-D (2) 23370 (2) 357550S

22600-AK	Inside Door Handle Kit (55/56)	52.95
KIT INCLUDES: (2) 22600B (2) 22624-D (2) 23370 (2) 357550S		
22600-BK	Inside Door Handle Kit (57)	65.95

DOOR HINGES REBUILT



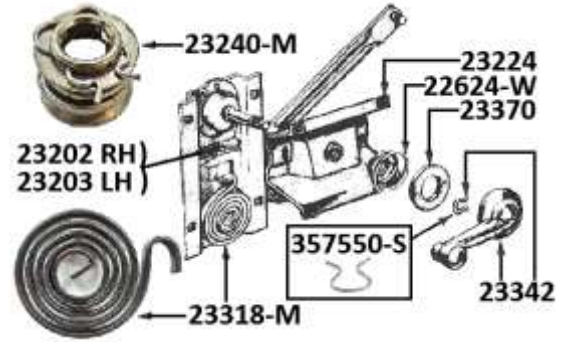
22810-AR	Hinge, Rebuilt, RH (55, One Hole)	49.00
22810-BR	Hinge, Rebuilt, RH (56/57, Two Holes)	49.00
22811-AR	Hinge, Rebuilt, LH (55, One Hole)	49.00
22811-BR	Hinge, Rebuilt, LH (56/57, Two Holes)	49.00
	Core Deposit on Hinges	50.00

K22810 DOES ONE HINGE

K22810	Kit, Door Hinge to Body and Door	Each 4.60
--------	----------------------------------	-----------

22810-B

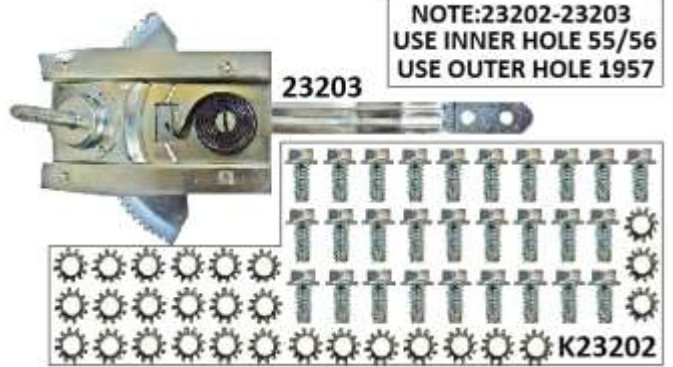
22810-B	Pin & Bushing Kit, Door Hinge	Each 7.95
---------	-------------------------------	-----------



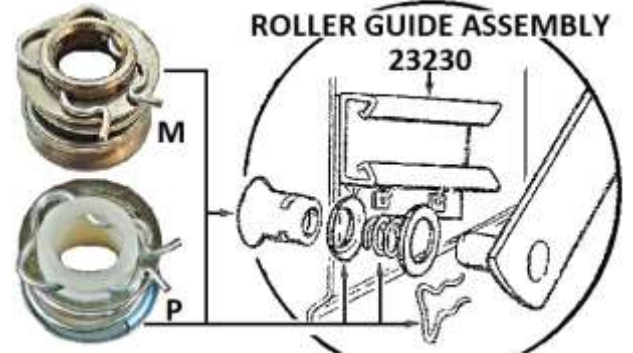
23318-M	Spring, Manual Window Regulator Assembly	8.35
23370	Plate, Window Crank or Door Handle (55/56) (Flat)	2.45
23370-B	Plate, Window Crank or Door Handle (57) (With Lip)	2.95



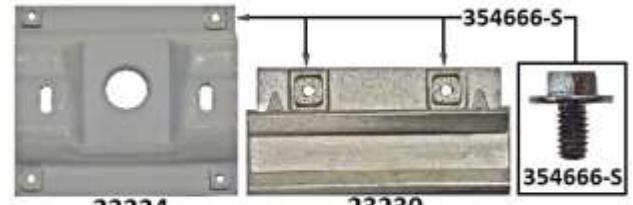
23202	Regulator, Window Manual RH	Call
74274-S	Clip, Window Regulator Arm	0.50



23203	Regulator, Window Manual LH	115.95
K23202	Kit, Manual Window Regulators to Doors	19.90



23240-M	Roller, Window Regulator (Metal)	11.25
23240-P	Roller, Window Regulator (Plastic)	3.25



23224	Bracket, Regulator Assembly to Door (Used)	Call
23230	Bracket, Window Roller Assembly (Used)	Call
354666-S	Bolt, Door Internals (Use at 23224 & 23230)	Each 1.00

1955/1957 Thunderbird Door Related Parts



23234-A Window Scissor Assembly, New RH (55/56)..... 139.95



23234-B Window Scissor Assembly, New RH (57)..... 139.95



23235-A Window Scissor Assembly, New LH (55/56)..... 139.95



23235-B Window Scissor Assembly, New LH (57)..... 139.95

74274-S Clip, Window Regulator Arm..... 0.50



22624-W Spring, Behind Door Window Handle..... 1.65

K23234 Kit, Window Scissors to Door (55/57)..... 6.00



23342-A Handle, Window Regulator (55/56)..... 28.95

23342-B Handle, Window Regulator (57)..... 31.95

357550-S Lock Ring, Window Handle, Comes with Handles..... 0.50



23342-AK Window Regulator Handle Kit (55/56)..... 64.95

23342-BK Window Regulator Handle Kit (57)..... 70.95



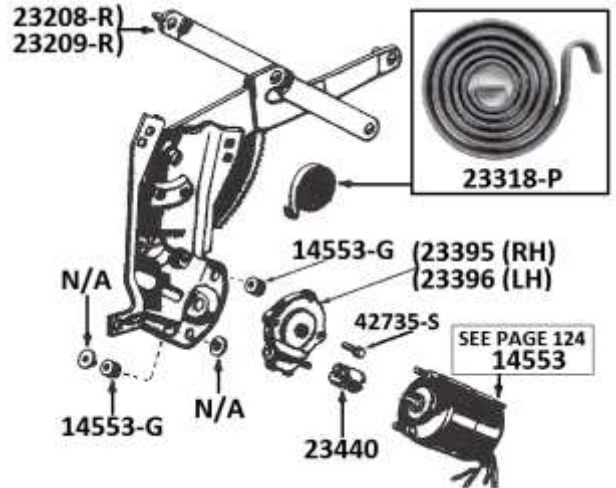
14553-G Grommets, Window Motor Mounting (Pair)..... 1.60

23240-M Roller, Window Regulator (All Metal).....Each 11.25

23240-P Roller, Window Regulator (Plastic).....Each 3.25

23370 Plate, Window or Door Handles (55/56) (Flat).....Each 2.45

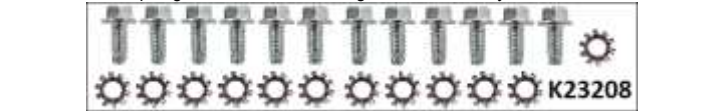
23370-B Plate, Window Crank or Door Handle (57) (With Lip)..... 2.95



23208-R Regulator, Power Window RH (Original)..... Call

23209-R Regulator, Power Window LH (Original)..... Call

23318-P Spring, Power Window Regulator Assembly..... 8.35



K23208 Kit, Power Window Assembly (23208-9) to Doors..... 10.50



23395 Power Window Motor Transmission RH (55/57)..... Call

23396 Power Window Motor Transmission LH (55/57)..... Call

42735-S Bolt to Attach (23395/23396) to Regulator (Used Original).. Call



23395-B Bearing Only, Power Window Drive..... 12.00

23395-K Repair Kit, Power Window Transmission..... 59.85

23440 Coupling, Power Window Motor to Drive..... 14.85



23504 Door Arm Check..... 10.85

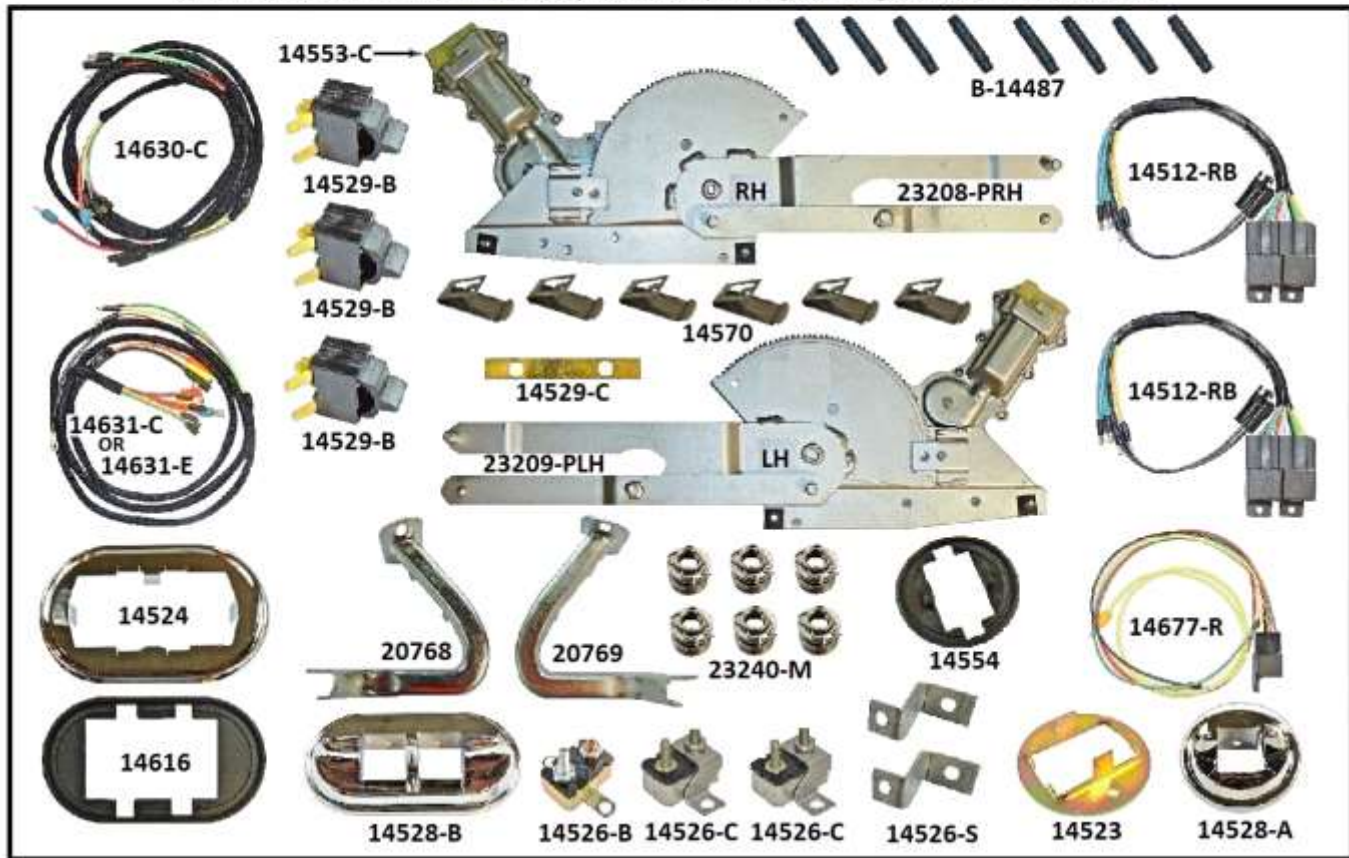


76001-S Pin, Door Check Strap Retainer with Clip..... 5.85

76001-S8R Pin, Door Check Strap Retainer (Rivet Type)..... 5.85

**POWER WINDOW KITS
MADE IN THE USA**

Having trouble with your Old Power Windows or would just like to add Power Windows to your T-Bird.
 You can now install this New Modern System designed by us and Made here in the USA.
 We offer Four Different Kits which include everything you need to get the job done.
 Kit includes a Power Window Safety Relay when installing the complete kit.
 Kit comes with a Lifetime Warranty on Mechanical Parts and a 5-Year Warranty on the Electric Motors.
 Kit includes colored Instructions for easy Installation, and a good thing there are no Wires to Cut.



Complete Power Window Kit 1955/57 12-Volt Thunderbirds -INSTRUCTIONS INCLUDED

Adds Power Windows to T-Birds without Power Windows & Power Seats. Includes: New RH & LH Window Regulators with Motors, Rollers, Circuit Breakers, Safety Relay, Wiring, Door Guards, Switches, Bezels, Gaskets, Retainer Clips and Attaching Hardware

23208-A.....1349.00

Power Window Kit 1955/57 12-Volt Thunderbirds -INSTRUCTIONS INCLUDED

Adds the New Power Window Regulators with Motors to existing T-Birds with Power Windows and Power Seats, and or T-Birds with Power Windows Only. Includes: New Regulators with Motors, Relays, Rollers, and Attaching Hardware.

23208-B.....849.00

Power Window Kit 1955/57 12-Volt Thunderbirds -INSTRUCTIONS INCLUDED

Adds Power Windows to T-Birds with Manual Windows with existing Power Seats. Includes: New RH & LH Window Regulators with Motors, Rollers, Circuit Breakers, Safety Relay, Wiring, Door Guards, Switches, Bezels, Gaskets, Retainer Clips and Hardware.

23208-C.....1349.00

Power Window Kit 1955 12-Volt Thunderbirds -INSTRUCTIONS INCLUDED

Adds the New Power Window Regulators with Motors to existing 1955 T-Birds that are converted to 12-Volt System.

Includes: New RH & LH Window Regulators with Motors, Relays, Rollers and Terminal Blocks with Attaching Hardware.

23208-D.....849.00



14512-RB	Relay Polarity Reversing for Kit (23208-A-B-C)	
	Modern Power Window Kit	39.95
14512-RR	Relay Polarity Reversing for Kit (23208-D)	
	Modern Power Window Kit	39.95
14553-C	Power Window Motor Replacement	
	For New Power Window Kit	129.95
14677-R	Relay & Wire Assembly for (23208) Power Window Kit	
	*Can also be used to replace the Original Power	
	Window Safety Relay that is on the Firewall.....	39.95
23208-PRH	Regulator, Power Window, RH (Reproduction) Necessary Parts Included.....	429.00
23209-PLH	Regulator, Power Window, LH (Reproduction) Necessary Parts Included.....	429.00

**HILL'S THUNDERBIRD CENTER
MADE IN THE USA**

POWER WINDOW REGULATOR IN DOOR

1955/1957 Thunderbird Door Panels, Arm Rests and Related Parts

ARM REST BODIES



24140

24140 Arm Rest Body RH (Fiberglass)..... Call



24141

24141 Arm Rest Body LH (Fiberglass)..... Call



K24140

K24140 Kit, Arm Rest Bases to Door Panels..... 2.40

24141-A -PAIR



24141-A Foam Only for Arm Rest (Adhesive Back, Pair) 10.25

24141-RHF Foam Only, Arm Rest (RH)..... 5.75

24141-LHF Foam Only, Arm Rest (LH) 5.75

24143 -PAIR



24143 Arm Rest Cardboards (55/57, Pair) 7.50

COMPLETE ARM REST KIT



K24140

Includes the Following:

(1) 24140 (1) 24141 (1) 24141A (1) 24143 (1) K24140

24140-K Arm Rest Kit, RH & LH (Fiberglass) Call

DOOR PANELS - PAIR



TDP57RD

TDP55WT	Door Panels, 55 White (Pair).....	199.00
TDP55YL	Door Panels, 55 Yellow (Pair).....	199.00
TDP56WT	Door Panels, 56 White (Pair).....	199.00
TDP57BU	Door Panels, 57 Blue (Pair).....	240.00
TDP57BZ	Door Panels, 57 Bronze (Pair).....	240.00
TDP57GN	Door Panels, 57 Green (Pair).....	240.00
TDP57RD	Door Panels, 57 Red (Pair).....	240.00
TDP57WT	Door Panels, 57 White (Pair).....	240.00

DOOR PANEL BEADING - PAIR



TDB55BK

****This is the Vinyl Covered Door Panel Beading that Fills in the Gap at the Front of the Aluminum Door Trim Panel along the Top Edge.**

Sold as a Pair.

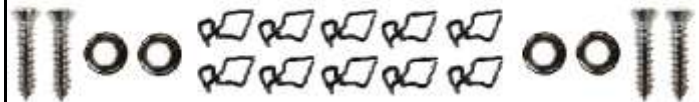
TDB55BK	Door Beading, 55 Black (Pair).....	15.50
TDB55GN	Door Beading, 55 Green (Pair).....	15.50
TDB55RD	Door Beading, 55 Red (Pair).....	15.50
TDB56BS	Door Beading, 56 Buckskin (Pair).....	15.50
TDB56GN	Door Beading, 56 Green (Pair).....	15.50
TDB56PK	Door Beading, 56 Peacock (Pair).....	15.50
TDB56RD	Door Beading, 56 Red (Pair).....	15.50
TDB57BK	Door Beading, 57 Black (Pair).....	15.50
TDB57BU	Door Beading, 57 Blue (Pair).....	15.50
TDB57BZ	Door Beading, 57 Bronze (Pair).....	15.50
TDB57GN	Door Beading, 57 Green (Pair).....	15.50
TDB57RD	Door Beading, 57 Red (Pair).....	15.50
TDB57WT	Door Beading, 57 White (Pair).....	15.50

DOOR PANEL INSTALLATION KIT - 55/56



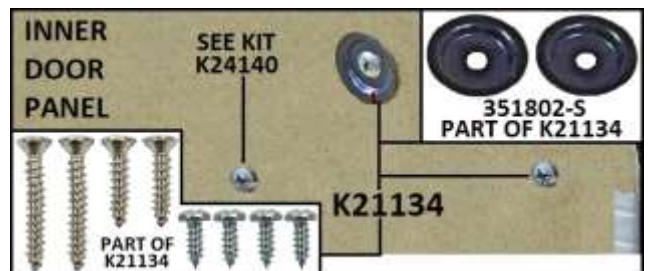
KTDPA Kit, Door Panels to Doors (55/56)..... 14.00

DOOR PANEL INSTALLATION KIT - 1957



KTPDB Kit, Door Panels to Doors (57)..... 9.00

371905-S Door Panel Clips Only (55/57).....Each 0.75



K21134 Kit, Door Molding Spacers to Doors (w/351802-S)..... 6.00

NOS SHEET METAL - CALL



27840-A Quarter Panel (55/56, RH) Call
 27841-A Quarter Panel (55/56, LH) Call



27840-B Quarter Panel (57, RH) Call
 27841-B Quarter Panel (57, LH) Call

FENDER SKIRTS REPRODUCTIONS - PAIR



27974-K Fender Skirts (55/57, Pair) 399.00

FENDER SKIRT KIT



Kit Includes: Fender Skirts, Skirt Seals, Fender Skirts Mouldings RH-LH Stone Guards, and Attaching Hardware
 Order 27975-B and 27980-K if Needed not Included in Fender Skirt Kit

27976-K Skirt Kit 689.95



27975-B Tabs, Weld to Quarter to Hold Skirts 1.80



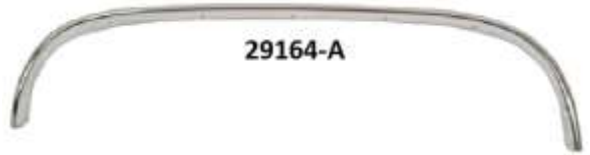
27980-K Clip to Attach Skirts to Quarter Panels 29.20
 K27980 Kit, Skirt Clips to Quarter Panels 2.40



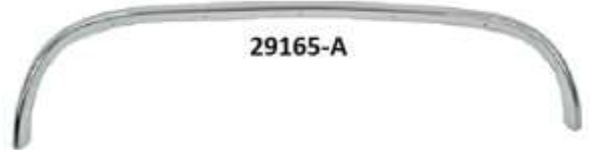
FENDER SKIRT SEAL
 2-PER CAR
 SOLD EACH



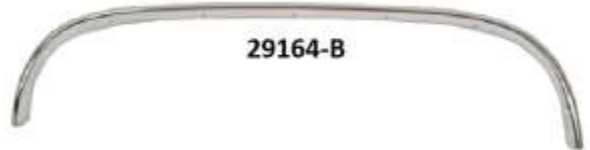
27986 Seal, Fender Skirt (2 Needed per Car) 11.20
 K900A Staple Kit (Package of 12) 3.75



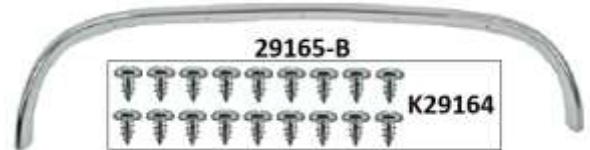
29164-A Fender Skirt Molding RH (55/56) 84.95



29165-A Fender Skirt Molding LH (55/56) 84.95



29164-B Fender Skirt Molding RH (57) 84.95



29165-B Fender Skirt Molding LH (57) 84.95
 K29164 Kit to Install Fender Skirt Moldings 2.00

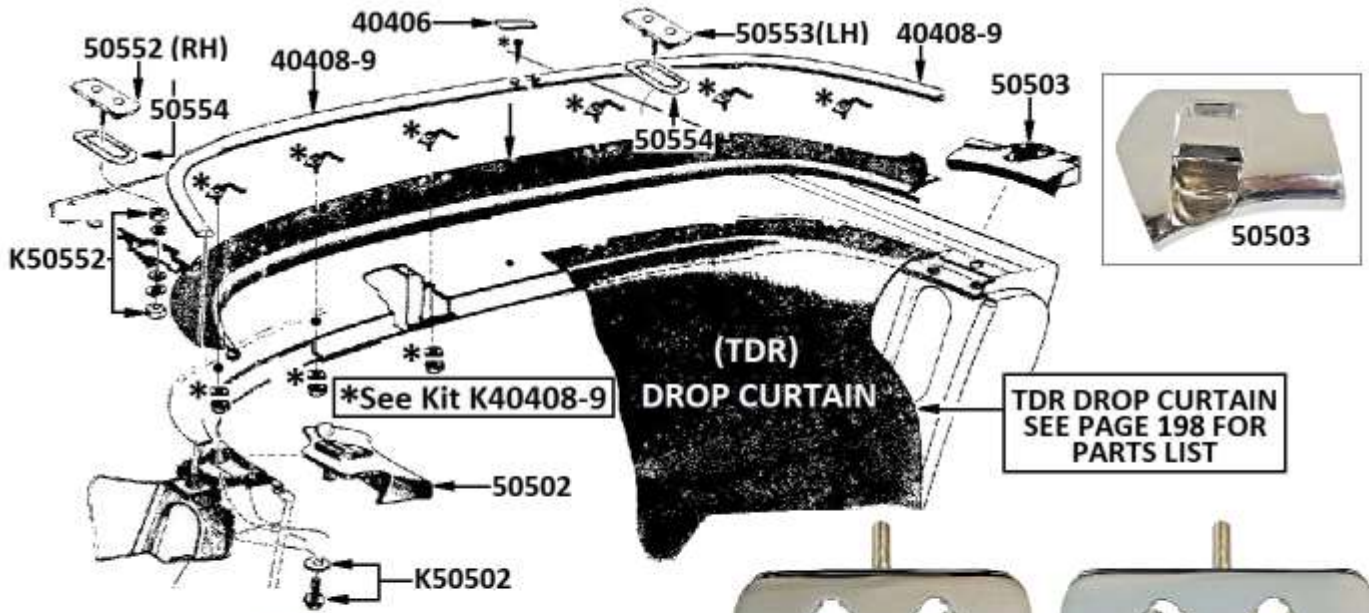


ROCK GUARD KIT

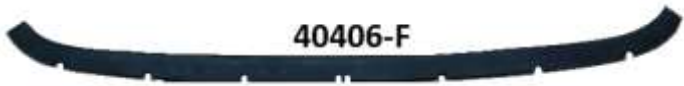


25648-9RK Stone Guards for Fender Skirts (Pair) 109.95
 25650 Bracket for Attaching Stone Guards Each 4.80

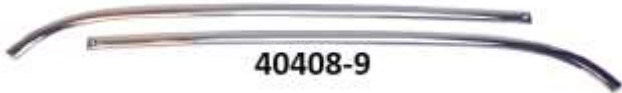
1955/57 Thunderbird Rear Deck Garnish Trim and Hold Down Plates



40406 Clip, Rear Garnish Molding Joint 9.95



40406-F Garnish Rail, Rear Deck (Fiberglass) Call
40406-M Garnish Rail, Rear Deck (Used Metal) Call



40408-9 Garnish Molding Set Rear (Stainless, Pair) 99.95



K40408-9 Kit, Rear Garnish Molding to Body 9.60
358566-S Retainer, Door and Upper Back Panel Garnish 1.60

REAR DECK GARNISH RAIL MOLDING KIT



Kit Includes: 40406, 40408-9, K40408/9

40408-K Garnish Molding Set Rear (Stainless) 117.95



50502 Side Top Latch Plate RH (Chrome) 79.95
50502-S Side Top Latch Plate RH (Stainless) 69.95
50503 Side Top Latch Plate LH (Chrome) 79.95
50503-S Side Top Latch Plate LH (Stainless) 69.95



50552-A Top Hold Down Plate on Deck RH (55) 49.95
50553-A Top Hold Down Plate on Deck LH (55) 49.95



50552-B Top Hold Down Plate on Deck RH (56 to 5/1/56) 49.95
50553-B Top Hold Down Plate on Deck LH (56 to 5/1/56) 49.95



50552-C Top Hold Down Plate on Deck RH (5/1/56 to 57) 49.95
50553-C Top Hold Down Plate on Deck LH (5/1/56 to 57) 49.95



K50502 Kit, Side Top Latch Plates to Body 2.00
K50552 Kit to Install (50552 & 50553) 1.80



50554 Gasket, Top Rear Hold down Plate to Body 2.25

1955/1957 Thunderbird Rear Deck, Trunk Area and Related Parts

- 40110-A Deck Lid (55/56)..... Call
- 40110-B Deck Lid (57)..... Call



- 28611 Fuel Door (57)..... Call
- K28611 Kit, Gas Filler Hinge to Lid & Body (57)..... 2.30



- 40635-B Hinge, Gas Fuel Filler Door (57)..... 44.95
- 380239-S Rubber Bumper, Gas Filler Lid (57)..... Each 2.00



- 16377-A Spring, Gas Filler Lid (55/56, 2 Needed per Car) 4.50
- 16377-B Spring, Gas Filler Lid (57, 2 Needed per Car) 4.50



- 379001-S Stud, Gas Door (55/57)..... 0.50



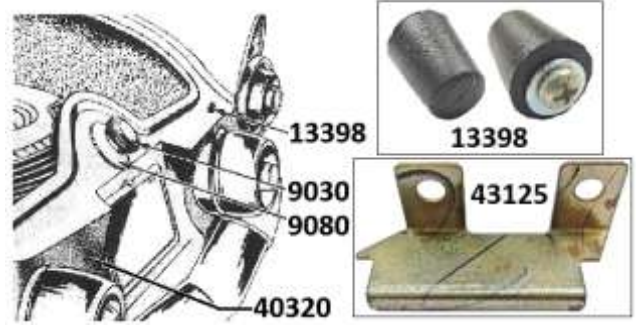
- 40628 Fuel Door (55/56, Reproduction) 79.95
- 40628-A Fuel Door (55/56, Original) Call
- K40628 Kit, Gas Filler Lid to Hinge & Hinge to Deck Lid (55/56)..... 1.90



- 40635-A Hinge, Gas Fuel Filler Door (55/56)..... 46.95
- 357170-S Rubber Bumper, Gas Filler Lid (55/56, Pair) 6.25



- 351548-S Washer, Trunk Lock Sleeve Nut 1.20
- 356164-S Nut, Trunk Lock Sleeve Retaining 1.90



- 13398 Bumpers, Trunk (55/56); FOMOCO Oval and Screws..... 12.50
- 22007-A Spring, Flip Lid Trunk Lock Housing (55/56)..... 3.75
- 43125 Cover, Trunk Lock Access (55/56)..... 10.45



- 43200-B Trunk Latch Assembly (55/56 Used Original) Call
- 43252-A Catch, Trunk Latch (55/56 Used Original) Call



- K43200B Kit, Trunk Latch to Trunk (55/56) 1.60
- K43252A Kit, Truck Latch Catch to Body..... 1.20
- 43505 Trunk Lock Cylinder and Keys 19.95
- 43562 Key Blank, Glove Box and Trunk Each 3.00



- 43516-A Flip Lid, Trunk Lock Cylinder (55/56) 17.00
- 43603-A Sleeve Assembly, Deck Lid Lock Cylinder (55/56) 52.95
- 43625-A Pad, Trunk Lock Cylinder (55/56) 4.15
- 42700 Hinge, Trunk RH (Used Original) Call
- 42701 Hinge, Trunk LH (Used Original)..... Call



- 42701-R Spring, Trunk Hinge (55/57)..... 19.95



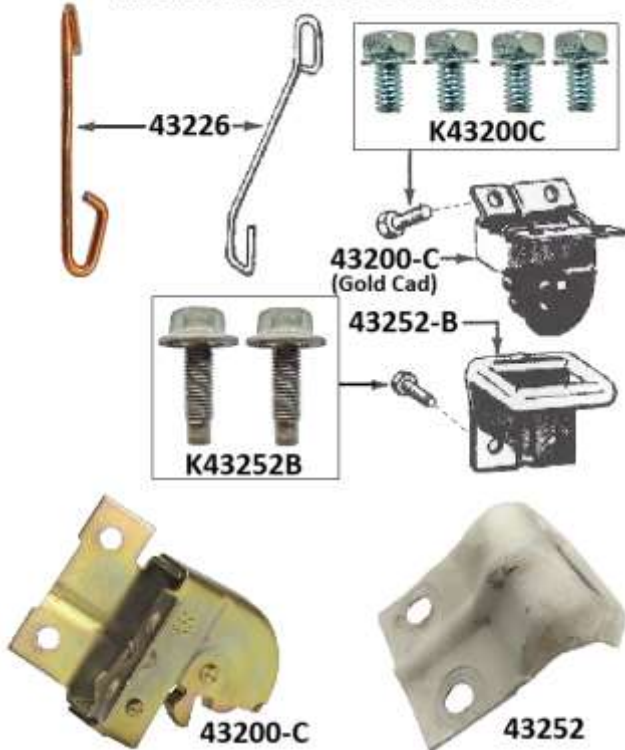
- K42700A Kit, Trunk Lid (40110) to Hinges 4.00
- K42700B Kit, Trunk Hinges (42700) to Body..... 6.00



- 42703-S Bolt, Trunk Hinge Long (Used Originals) Call
- 42704-S Bolt, Trunk Hinge Short (Used Originals)..... Call
- AU3615 Bolt, Trunk Hinge Long (Replacement—Cut to Fit) 1.00

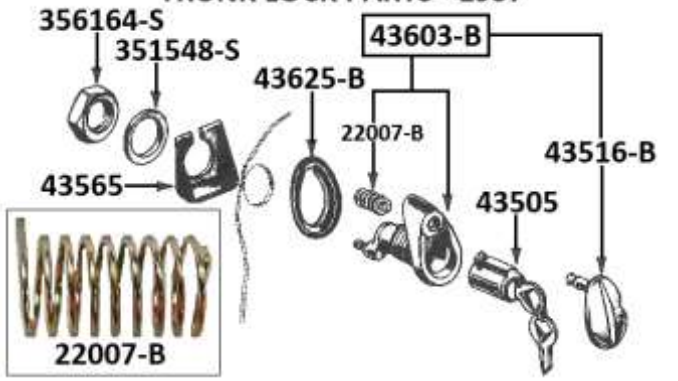
1955/1957 Thunderbird Rear Deck, Trunk Area and Related Parts

TRUNK LATCH AND STRIKER 1957



43200-C	Trunk Latch Assembly (57, Used)	Call
K43200C	Kit, Trunk Latch to Trunk (57)	2.00
43226	Link, Trunk Lock Actuating (57)	3.20
43252-B	Trunk Latch Striker to Body (57)	Call
K43252B	Kit, Trunk Latch Striker (43252) to Body (57)	1.20

TRUNK LOCK PARTS - 1957



22007-B	Spring, Flip Lid Trunk Lock Housing (57)	3.75
---------	--	------



43505	Trunk Lock Cylinder and Keys	19.95
43516-B	Flip Lid, Trunk Lock Cylinder (57)	17.00



43562	Key Blank, Glove Box and Trunk	Each	3.00
43603-B	Sleeve Assembly, Deck Lid Lock Cylinder (57)		49.95
43625-B	Pad, Trunk Lock Cylinder (57)		4.15



351548-S	Washer, Trunk Lock Sleeve Nut	1.20
356164-S	Nut, Trunk Lock Sleeve Retaining	1.90
43565	Spacer, Trunk Lock Sleeve (57 Plated)	7.35

REAR DECK ORNAMENT - 1957



43500	Handle, Rear Deck Ornament (57)	24.50
42530	Nameplate, Rear Deck Handle (57)	15.85

REAR DECK HANDLE KIT - 1957

43500-AK	Includes: (1) 42530 (1) 43500 (1) K43500	45.90
----------	--	-------



359410-S	Wedge Washer, 57 Trunk Handle	1.60
K43500	Kit, Trunk Handle & Nameplate to Rear Deck (57)	7.50
K43500A	Kit, Same as Above without Wedge Washers	4.50

TRUNK WEATHERSTIP



43720	Weatherstrip, Deck Lid (Original Shape)	25.95
08008	3M Black Weatherstrip Adhesive (5oz Tube)	17.50



43720-A	Bumper, Rear Deck Lower Corners (57, Pair)	3.85
---------	--	------

1955/1957 Thunderbird Trunk Side Boards, Trunk Mats

1957 TRUNK SIDE CARDBOARD - LH



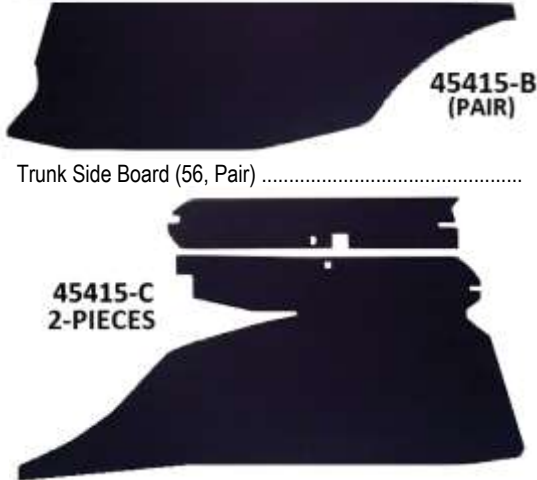
TRUNK SIDE CARDBOARDS



45415-A Trunk Side Board (55, 1 Piece)..... 8.00



45415-B Trunk Side Board (56, Pair) 16.00



45415-C Trunk Side Board (57, Set) 17.00



K45415C Kit to Install Trunk Side Cardboards (57) 2.60



45444 Trunk Back Panel, Ready to Paint (55 Only) 11.50
 45444-A Trunk Back Panel, Painted Grey With Jacking Instructions Sheet (55 Only) 21.95



Installs 45444 and 45444-A

K45444 Kit to Install Trunk Back Panel (55)..... 2.30



1955 Rubber Trunk Mats are not available. You can use a 56 Trunk Mat but it will require you to do some trimming.

45455-B Trunk Mat (Rubber, 56)..... Call

1955 TRUNK MAT



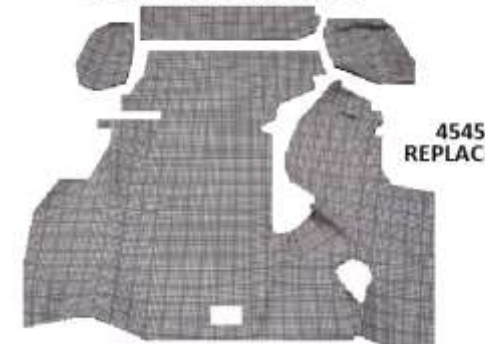
45456-E Trunk Mat, Vinyl Burtex Look Alike (55)..... 89.95

1956 TRUNK MAT



45456-C Trunk Mat, Vinyl Burtex Look Alike (56)..... 89.95
 45456-A Trunk Mat, Correct Burtex (56, 2-Pieces)..... 199.95

1957 TRUNK MAT



45456-D Trunk Mat, Vinyl Burtex Look Alike (57)..... 102.95
 45456-B Trunk Mat, Correct Burtex (1957, 4-Pieces)..... 249.95

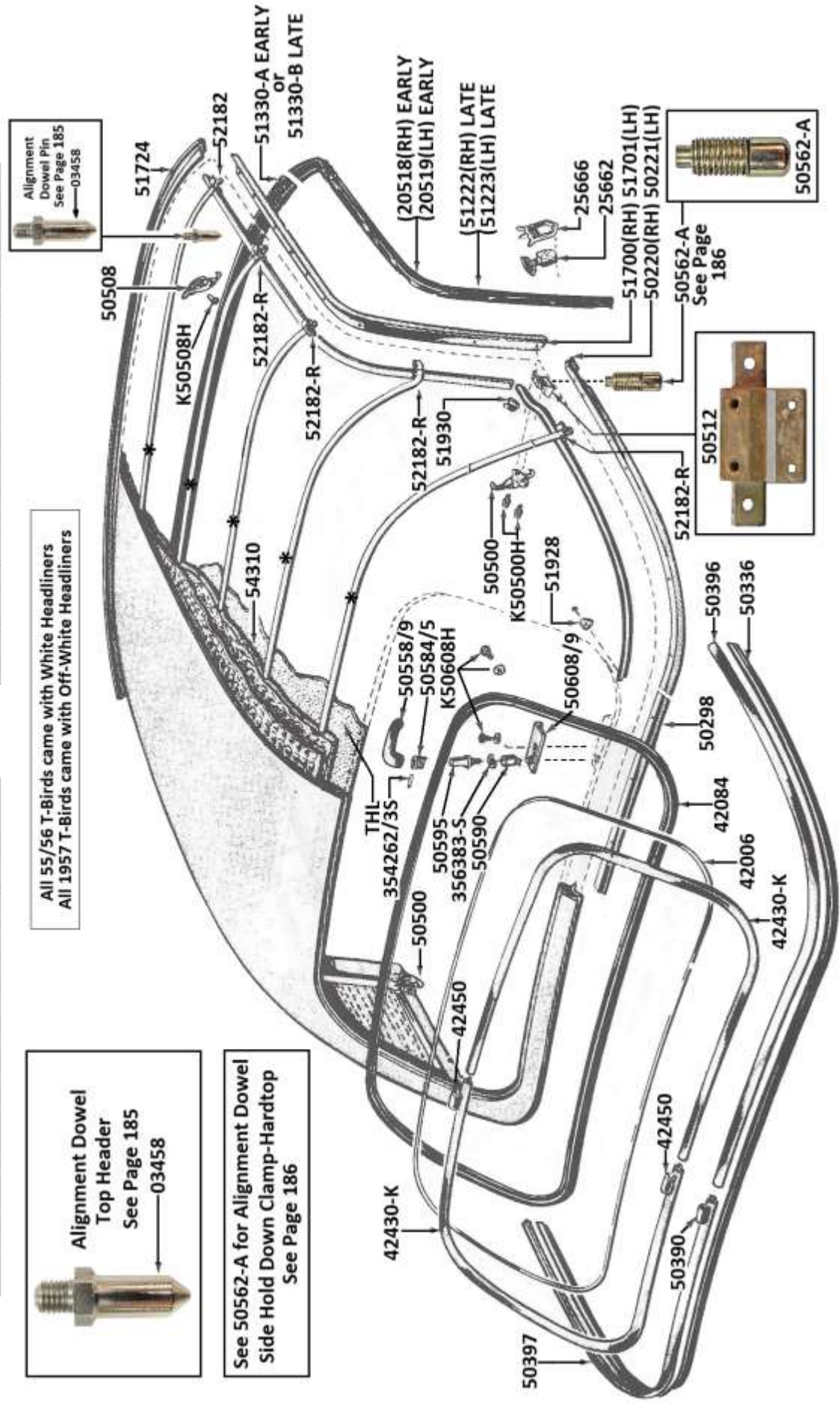
*52104-K (4) BOW SET USED WITH PORTHOLE TOP
 *52105-K (5) BOW SET USE WITH NON-PORTHOLE TOP

Have s Non-Porthole Top, but you would like to Add Portholes?
 See the Porthole Kits that are Available on Page 183

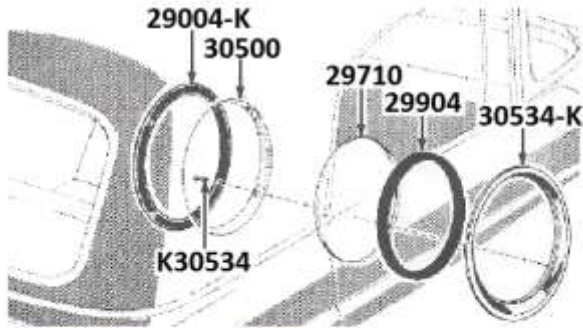
All 55/56 T-Birds came with White Headliners
 All 1957 T-Birds came with Off-White Headliners



See 50562-A for Alignment Dowel
 Side Hold Down Clamp-Hardtop
 See Page 186



1955/1957 Thunderbird Hardtop and Related Parts



30500 (PAIR)



K30534

30500	Porthole Spacers (Pair)	130.00
K30534	Kit, Porthole Rings to Hardtop	2.60



29004-K (PAIR)

29710-T

29004-K	Inner Porthole Rings (Chrome Plated, Pair)	50.65
29710-C	Glass, Porthole (Clear with FOMOCO)	18.00
29710-T	Glass, Porthole (Tinted with FOMOCO)	18.00



2-Required
29904

30534-K
(PAIR)

29904	Seal, Porthole Glass	4.90
29904-A	Seal, Porthole Glass (Molded Seamless)	9.25
30534-K	Outer Porthole Rings (Chrome, Pair)	86.00
30534-AK	Porthole Ring Kit (Inner/Outer Rings, Seals, Screws)	149.95

HARDTOP TACK STRIP SET

50000-A

Alignment Dowel Pin See Page 185
03458

50000-A

50000-A Tack Strip Set (Hardtop)

50000-A	Tack Strip Set (Hardtop)	21.98
---------	--------------------------	-------

PORTHOLE INSTALLATION KIT
Includes: Porthole Rings, Glass, Seals, Spacers, Headliner Screws, Template, Instructions

30000-AK	Porthole Kit, Off-White, 4-Bow Headliner with Clear Glass	329.00
30000-BK	Porthole Kit, Off-White, 4-Bow Headliner with Tinted Glass	329.00
30000-CK	Porthole Kit, White, 4-Bow Headliner with Clear Glass	329.00
30000-DK	Porthole Kit, White, 4-Bow Headliner with Tinted Glass	329.00
30000-EK	Porthole Kit, Pure White, 4-Bow Headliner with Clear Glass	329.00
30000-FK	Porthole Kit, Pure White, 4-Bow Headliner with Tinted Glass	329.00

HEADLINERS

****Original Type. Constructed of Perforated Vinyl, with "Wire-On" Border Strip.**

Please Be Sure to Specify Whether You Have (4) or (5) Metal Bows in Your Top.

THL4OW	Headliner, 4-Bow, Off-White (57)	97.95
THL4WT	Headliner, 4-Bow, White (55/56)	97.95
THL4PW	Headliner, 4-Bow, Pure White	99.95
THL5OW	Headliner, 5-Bow, Off-White (57)	97.95
THL5WT	Headliner, 5-Bow, White (55/56)	97.95
THL5PW	Headliner, 5-Bow, Pure White	99.95

51928

51930

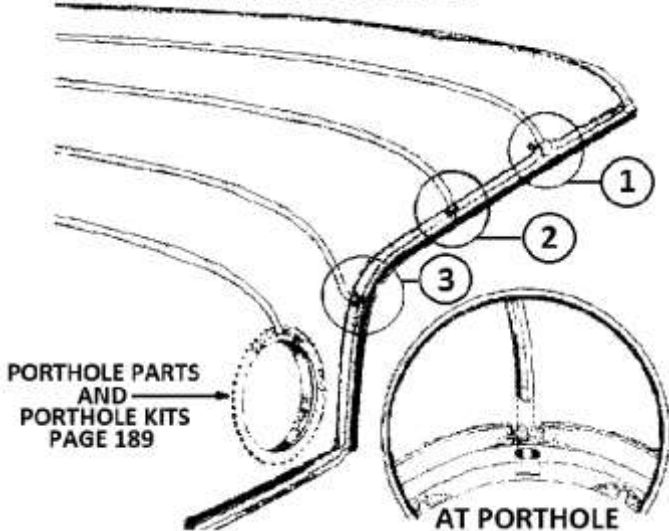
K51928

51928	End Tip, Roof Headliner Binding (Chrome, 2/Car)	6.10
51930	Clip, Angle Trim for Headliner (4 Used per Car)	8.95
K51928	Kit, Hardtop Binding Joint Covers to Hardtop	1.60

54310

54310	Insulation, Hardtop Goes Between Headliner and Top	15.00
-------	--	-------

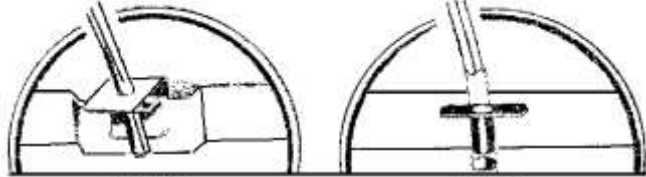
HARDTOP BOW CLIPS



- 52104-K Headliner Bow Set (4-Bow)..... 48.95
- 52105-K Headliner Bow Set (5-Bow)..... 54.95

LOCATION-1

LOCATION-2 and 3



52182

52183



- 52182 Hardtop Front Bow Clip (Replacement) 3.20
- 52183 Retainer, Roof Headliner Bow (Metal) 4.20



25662

25666

K25666

- 25662 Medallion, Side of Hardtop (55) 20.90
- 25666 Retainer (Chrome) for (25662)..... 21.90
- K25666 Kit, Crest Medallion with Pad (Kit Does One Medallion)..... 1.50



50270

50292

K50292

- 50270 Medallion, Non-Porthole Top (57) 23.95
- 50292 Retainer, Non-Porthole Top (57)..... 16.95
- K50292 Kit, 50292 Retainer to Porthole top (57)..... 1.20

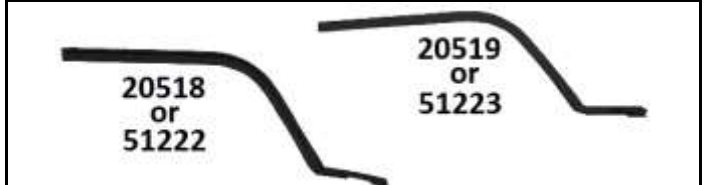
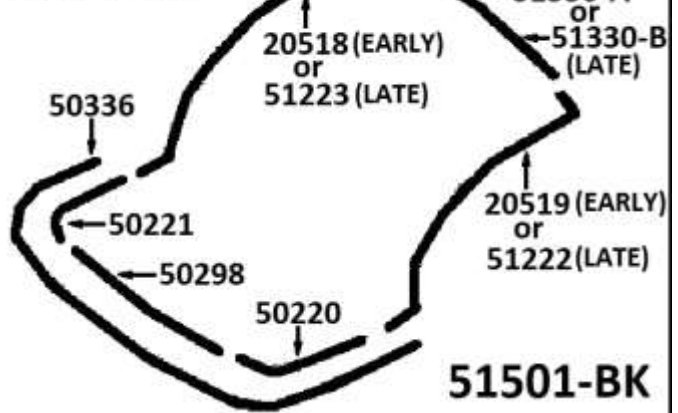


50336

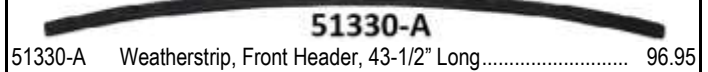
50336 PART OF WEATHERSTRIP KITS 51500-AK 50501-BK

- 50336 Rain Seal, Fits in Lower Stainless..... 16.50

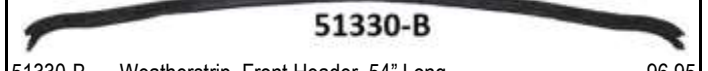
HARDTOP WEATHERSTRIP KIT ILLUSTRATED 51500-AK



- 51222 Weatherstrip, RH Over Window..... 109.50
- 51223 Weatherstrip, LH Over Window 109.50



- 51330-A Weatherstrip, Front Header, 43-1/2" Long..... 96.95



- 51330-B Weatherstrip, Front Header, 54" Long..... 96.95



- 50220 Weatherstrip, RH Curved on Deck 46.50
- 50221 Weatherstrip, LH Curved on Deck..... 46.50

EARLY HARDTOP WEATHERSTRIP KIT

- 51330-A Weatherstrip, Front Header, 43-1/2" Long..... 96.95
- 20518 Weatherstrip, RH Over Window (Cloth Covered) 109.50
- 20519 Weatherstrip, LH Over Window (Cloth Covered)..... 109.50
- 50220 Weatherstrip, RH Curved on Deck 46.50
- 50221 Weatherstrip, LH Curved on Deck..... 46.50
- 50298 Weatherstrip, Center on Deck 46.50
- 50336 Rain Seal, Fits in Lower Stainless 16.50
- 51500-AK Complete Set as Above 409.95

LATE HARDTOP WEATHERSTRIP KIT

- 51330-B Weatherstrip, Front Header, 54" Long..... 96.95
- 51222 Weatherstrip, RH Over Window..... 109.50
- 51223 Weatherstrip, LH Over Window 109.50
- 50220 Weatherstrip, RH Curved on Deck 46.50
- 50221 Weatherstrip, LH Curved on Deck..... 46.50
- 50298 Weatherstrip, Center on Deck 46.20
- 50336 Rain Seal, Fits in Lower Stainless 16.50
- 51501-BK Complete Set as Above 409.95

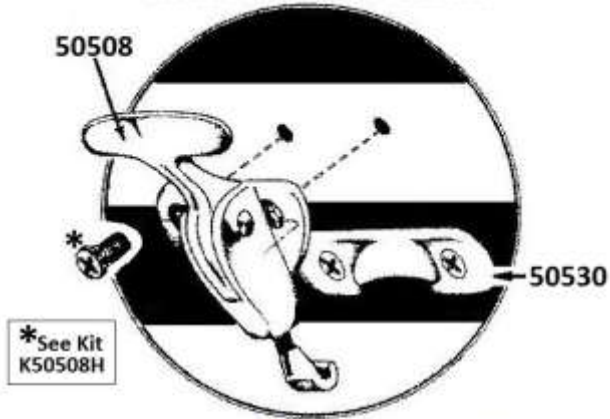


- K51500 Kit, Hardtop Weatherstrip Installation Screws 9.00



- 03458 Alignment Dowel, Top Header 10.45
- 50500-A Top Clamp, Side Hardtop Finger Handle (55/56)..... 79.95
- 50500-B Top Clamp, Side Hardtop T-Handle (57) 79.95

HARDTOP FRONT CLAMPS



- 50508-B Top Clamp, Front Hardtop Finger Handle (55/56) 79.95
- 50508-D Top Clamp, Front Hardtop T-Handle (57) 79.95



- K50500H Kit, Hardtop Side Clamps to Top..... 3.50
- K50508H Kit, Hardtop Front Clamps to Top 4.00



- 50508-A Top Clamp, Front Soft Top Finger Handle (55/56)..... 79.95
- 50508-C Top Clamp, Front Soft Top T-Handle (57) 79.95



- K50500S Kit, Soft Top Side Clamps to Top..... 3.50
- K50508S Kit, Soft Top Front Clamps to Top..... 5.80



- 50500-J J-Hook, Side Clamps (55/57, Included with Handle) 17.75
- 50508-J J-Hook, Front Clamps (55/57, Included with Handle) 16.95



- 50530 Plate, Front Hold Down Latch 16.25
- K50530 Kit, Front Latch Hook Plates to Windshield Header 2.00



- 50502 Side Top Latch Plate RH (Chrome)..... 74.95
- 50503 Side Top Latch Plate LH (Chrome) 74.95
- 50502-S Side Top Latch Plate RH (Stainless)..... 79.95
- 50503-S Side Top Latch Plate LH (Stainless) 79.95



- K50502 Kit, Side Top Latch Plates to Body..... 2.20



- 354262-S Roll Pin, 3/32" x 3/4" - Bent Handle - Top 0.30
- 354263-S Roll Pin, 1/8" x 3/4" - Straight Handle - Top and Pin Retainer Folding Top 0.30
- 356383-S Spring Washer 1.25

HARDTOP REAR LEVER KIT

Includes: 50558, 50559, 50584, 50585, (2)50590
(2)50595, 50608, 50609, K50608H, (2)356383S
(2)354262S or (2)354263S

(KIT 50608-AK SHOWN)

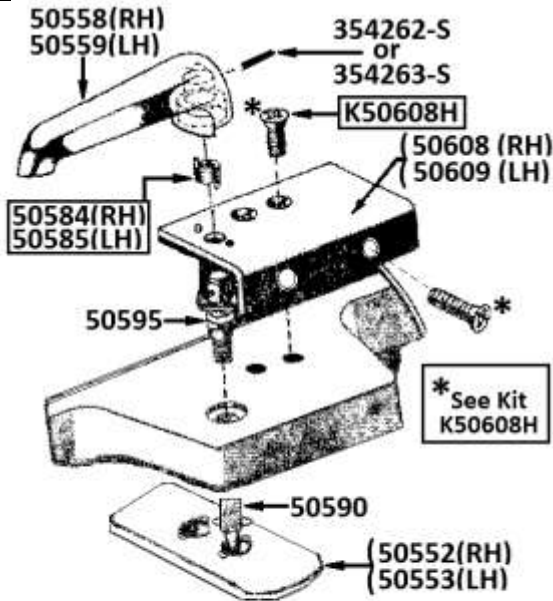
- 50608-AH 55, Rear Lever Kit with Bent Handle 179.95
- 50608-BH 56, Rear Lever Kit with Bent Handle 179.95
- 50608-CH 56, Rear Lever Kit with Straight Handle 179.95
- 50608-DH 57, Rear Lever Kit with Straight Handle 179.95

SOFTTOP REAR LEVER KIT

- 50608-AS 55, Rear Lever Kit with Bent Handle 179.95
- 50608-BS 56, Rear Lever Kit with Bent Handle 179.95
- 50608-CS 56, Rear Lever Kit with Straight Handle 179.95
- 50608-DS 57, Rear Lever Kit with Straight Handle 179.95

See Page 186 for Rear Deck Latch Parts

1955/1957 Thunderbird Rear Deck Plates and Related Parts



- 50558-A Lever, Rear Clamp, Bent Type RH (55/56) 35.00
- 50558-B Lever, Rear Clamp, Straight Type RH (56/57) 35.00



- 50559-A Lever, Rear Clamp, Bent Type LH (55/56) 35.00
- 50559-B Lever, Rear Clamp, Straight Type LH (56/57) 35.00



- 50562-A Dowel Alignment, Side Hold Down Clamp for Hard Top 11.35
- 50562-B Dowel Alignment, Side Hold Down Clamp for Soft Top 11.35



- 50584-A Spring, Return Rear Clamp Handle RH (Bent Handle) 3.05
- 50584-B Spring, Return Rear Clamp Handle RH (Straight Handle) .. 3.05



- 50585-A Spring, Return Rear Clamp Handle LH (Bent Handle) 3.05
- 50585-B Spring, Return Rear Clamp Handle LH (Straight Handle) .. 3.05



- 50590-A Fastener, Rear Hold Down Clamp (55) 13.75
- 50590-B Fastener, Rear Hold Down Clamp (56 before 5/1/56) 13.75
- 50590-C Fastener, Rear Hold Down Clamp (56/57 from 5/1/56) 13.75

REAR DECK PLATES
JOB 1, 1955 TO JOB 1, 1956

50552-A(RH) 50553-A(LH) 50590-A 50595-A

354262-S or 354263-S
3/32" DIA.

JOB 1, 1956 TO MAY 1, 1956

50552-B(RH) 50553-B(LH) 50590-B 50595-B

354263-S
1/8" DIA.

AFTER MAY 1, 1956

50552-C(RH) 50553-C(LH) 50590-C 50595-B

354263-S
1/8" DIA.

50552-A	Top Hold Down Plate on Deck RH (55)	49.95
50552-B	Top Hold Down Plate on Deck RH (56 before 5/1/56)	49.95
50552-C	Top Hold Down Plate on Deck RH (56/57 from 5/1/56)	49.95
50553-A	Top Hold Down Plate on Deck LH (55)	49.95
50553-B	Top Hold Down Plate on Deck LH (56 before 5/1/56)	49.95
50553-C	Top Hold Down Plate on Deck LH (56/57 from 5/1/56)	49.95



- 50554 Gasket, Top Rear Hold Down Plate to Body 2.00



- 50595-A Stud, Rear Hold Down Clamp (55/56 before 5/1/56) 12.50
- 50595-B Stud, Rear Hold Down Clamp (56/57 from 5/1/56) 12.50



- 50608 Plate, Rear Hold Down Clamp RH 25.90
- 50609 Plate, Rear Hold Down Clamp LH 25.90



- 354262-S Pin, Top Handle (Bent Handle) 0.30
- 354263-S Pin, Top Handle (Straight Handle) 0.30
- 356383-S Spring Washer, Convertible Top (Used at 50595A & B) 1.25

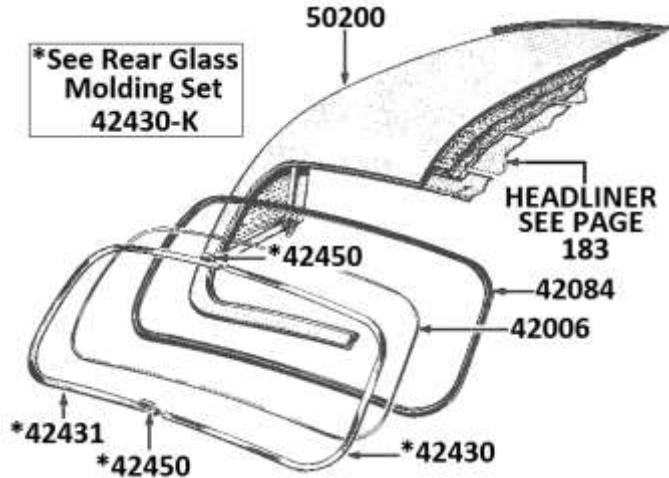


- K50608H Kit, Hardtop Rear Clamp Plates to Top 3.50
- K50608S Kit, Soft Top Rear Clamp Plates to Top 5.20

1955/1957 Thunderbird Hardtop and Related Parts

USED ORIGINAL HARDTOPS

- 50200-A Hardtop Assembly without Porthole Call
- 50200-B Hardtop Assembly with Porthole Call

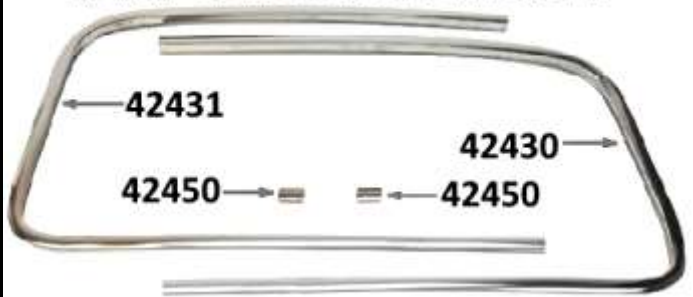


***See Rear Glass Molding Set 42430-K**

HARDTOP BACK GLASS

- 42006-CG Glass, Hardtop Backlight (Clear) 315.00
- 42006-TG Glass, Hardtop Backlight (Tinted) 315.00

REAR GLASS MOLDING SET



- 42430-K Rear Glass Molding Set 349.95
- 42430 Molding Hardtop Glass RH 175.00
- 42431 Molding Hardtop Glass LH 175.00



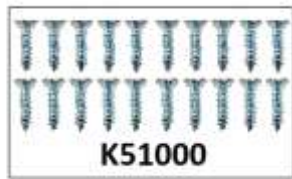
- 03458 Alignment Dowel, Top Header 10.45
- 42450 Joint Molding, Rear Glass Hardtop (2-Required) 9.95



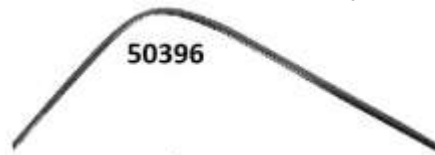
- 42084 Weatherstrip, Back Window Glass (55/57) Made in the USA 52.95
- 42084-A Weatherstrip, Back Window Glass (55/57) 42.95



- 50512 Bracket, Hardtop Side Latch Mounting Call
- K51000 Kit, Hardtop Edge Moldings to Top 3.80



- 50336 Rain Seal, Fits in Lower Stainless 16.50
- 50390 Clip, Hardtop Lower Rear Molding 8.05



- 50396 Hardtop Lower Rear Molding RH 129.85
- 50397 Hardtop Lower Rear Molding LH 129.85



- 51700 Trim Molding Over Door RH 109.25
- 51701 Trim Molding Over Door LH 109.25
- 51724 Trim Molding Hardtop Header 133.85

- 51700 Trim Molding Over Door RH 109.25
- 51701 Trim Molding Over Door LH 109.25

- 51724 Trim Molding Hardtop Header 133.85



- 51732 Trim Molding Hardtop Lower Corner RH 47.50
- 51733 Trim Molding Hardtop Lower Corner LH 47.50



HARDTOP EDGE MLDG KIT

51724

Complete Set of Stainless Around Edges of Hard Top.
Includes: (1) 50390, (1) 50396, (1) 50397, (1) 51700, (1) 51701, (1) 51724, (1) 51732, (1) 51733

- 51000-K Hardtop Molding Set 679.95



03458



03458-NUT

- 03458 Alignment Dowel, Top Header..... 10.45
- 03458-NUT Retainer "Nut" for (03458, Soft Top)..... 1.50

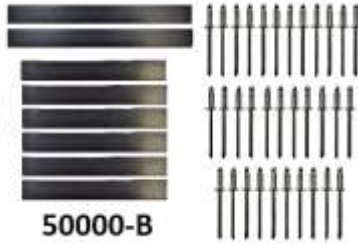


03474



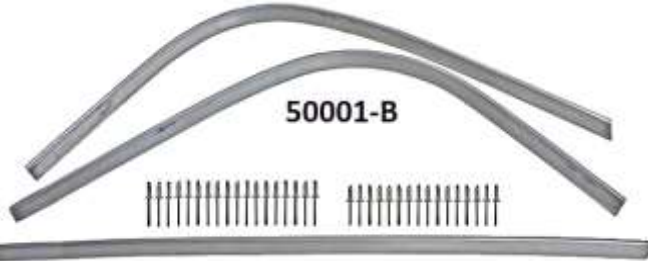
K03474

- 03474 Front Top Dowel Striker..... 24.98
- K03474 Kit, Windshield Header Dowel Strikers to Header..... 1.80



50000-B

- 50000-B Tack Strip Set (Soft Top)..... 36.00



50001-B

- 50001-B Retainer for Soft Top Rear Tack Strip..... 159.50



K51154



K51340A

- K51154 Kit, Soft Top Webbing Plates to Number 2-Bow 1.60
- K51340A Kit, Soft Top Front Header Center Castings to Ends 3.80



K51340B

- K51340B Kit, Soft Top Front Header End Castings To First Side Rails 6.00



K51354



K514A00

- K51354 Kit, Soft Top Bows to Frame..... 5.80
- K514A00 Kit, Soft Top Binding Joint Covers to Tops..... 1.20

SOFTTOP PIN KIT



- 50300-A Convertible Top Pins (SS Set), 6 Replaces Riveted 35.95

SOFTTOP FRAME PIN KITS - KIT (50300-C) SHOWN



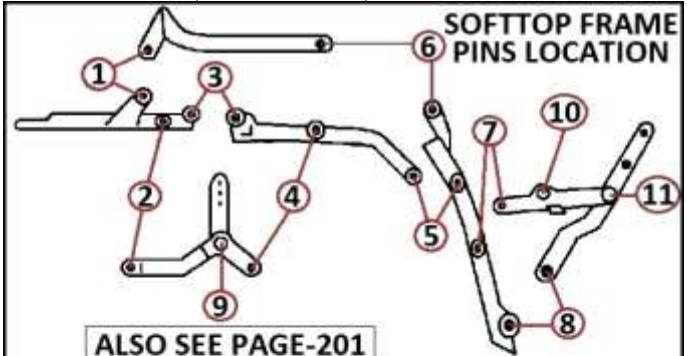
- 50300-B Soft Top Pin Kit, Early Top. Includes: Chrome Pins, Bolts, Nuts, Washers, Acorn Nuts & Sleeves. Does Not Include: 50300-A Kit (82 pcs) 69.95
- 50300-C Soft Top Pin Kit, Late Top. Same as Above Does Not Include: 50300-A Kit (94 pcs) 89.95



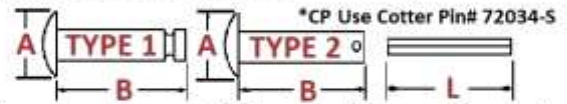
50300A-RC

Dress up chrome convertible top pins without removing them. Clean your top pins and cement these covers in place.

- 50300A-RC Pin Covers (Riveted Pins)..... 19.95
- 50300B-RC Pin Covers (Removable Pins Early)..... 42.95
- 50300C-RC Pin Covers (Removable Pins Late)..... 52.95



ALSO SEE PAGE-201

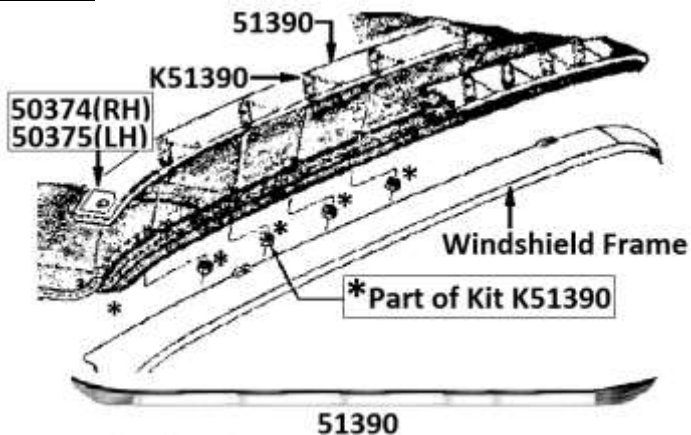


Pin#	Type	A	B	L
1	N/A NOT USED	NOT USED		
1	354169-S	1	.750	3/4" 7/8"
2	354169-S	1	.750	3/4" 7/8"
3	357412-S	2	.868	1-1/8" *CP
4	354169-S	1	.750	3/4" 7/8"
5	354170-S	1	.995	1-1/8" 7/8"
6	N/A (1955)	NOT USED		
6	354169-S	1	.750	3/4" 7/8"
7	354169-S	1	.750	3/4" 7/8"
8	354171-S	2	.841	2-3/8" *CP
9	***50300-A	Pkg. of 6		1/2"
10	***50300-A	Pkg. of 6		1/2"
11	***50300-A	Pkg. of 6		1/2"

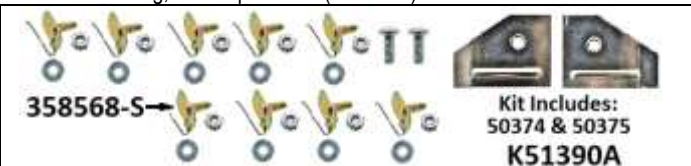
Washers & Retainers for Softtop Pins
 51374-W, 53213-S, 356214-S, 72034-S, Use at Pin# 354171-S
 356600-S, 354276-S Use at Pin# 354169-S
 354276-S, 356383-S Use at Pin# 354170-S
 356383-S Use at 50300-A Locations

- 51374-S Sleeve Convertible Top at Lift Bar Assembly (Plated) Each Use with (354171-S) Pin..... 5.95
- 51374-W Spring Washer for (51374-S) Sleeve..... 1.20
- 53213-S Wave Washer, Convertible Top Frame 1.20
- 72034-S Cotter Pin, 3/32" x 1" 0.25
- 352146-S Roll Pin, 1/8" x 7/8" 0.45
- 354276-S Roll Pin, Use at Pins (354169-S & 354170-S)..... 0.40
- 356214-S Washer, Convertible Top Frame..... 1.30
- 356383-S Spring Washer, Convertible Top Frame 1.25
- 356600-S Wave Washer, Convertible Top Frame 1.10

1955/57 Soft Top Trim, Soft Top Covers, Reproduction Soft Top Assembly



51390 Molding, Soft Top Header (Stainless) 249.00



K51390A Kit, Soft Top Header Trim to Frame 23.85
 358568-S Retainer, Molding Soft Top Header..... 1.50

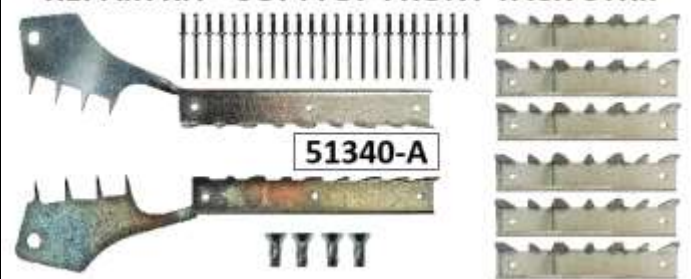


K51390B Same as Above, but without (50374/50375) Retainers 10.00



50374 Retainer F/T Header Trim End RH..... 5.50
 50375 Retainer F/T Header Trim End LH 5.50
 AU15381 Screw to Retain (50374 & 50375) to Soft Top Frame 0.25

REPAIR KIT - SOFTTOP FRONT TACK STRIP



51340-A Kit, Soft Top Tack Strip Retainer..... 37.95

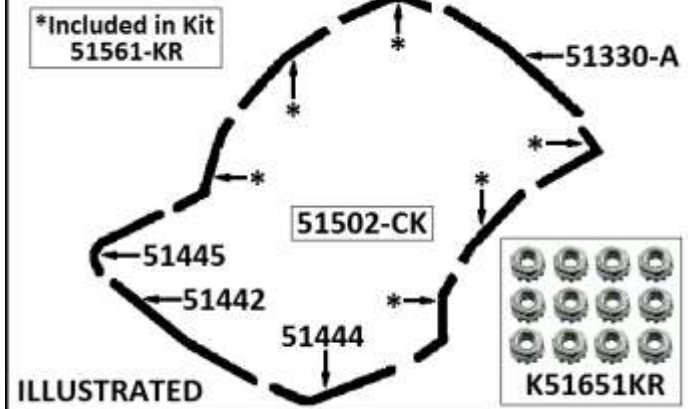


53038-B Foam Soft Top Header with 1 Piece SS Header Trim 7.95

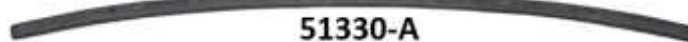


51276-A Plates, Soft Top Tension Straps (Pair)..... 4.95
 514A00 End Tips, Soft Top Wire on RH..... 8.50
 514A01 End Tips, Soft Top Wire on LH 8.50

SOFTTOP WEATHERSTRIP KIT



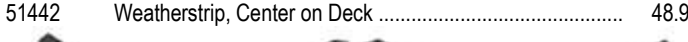
51502-CK Complete Set of Soft Top Weatherstrip 409.95



51330-A Weatherstrip, Front Header, 43-1/2" Long 96.95



51442 Weatherstrip, Center on Deck 48.95



51444 Weatherstrip, RH Curved on Deck 59.50
 51445 Weatherstrip, LH Curved on Deck 59.50



51444 Weatherstrip, RH Curved on Deck 59.50
 51445 Weatherstrip, LH Curved on Deck 59.50



51561-KR Weatherstrip, Side Rail Kit (6-Pcs) 219.50
 K51561KR Kit to Install Side Rail Weatherstrips..... 3.00

SOFTTOP WEATHERSTRIP INSTALLATION KIT



K51502 Kit, Soft Top Weatherstrip Screws..... 21.90

See Pages 185-186 For Hardtop and Soft Top Front, Side Latches and Rear Handle Parts

Hill's Thunderbird Center 866-949-1956

Website: www.hillsresto.com - Email: tbirdcenter@yahoo.com

All Prices Subject to Change without Notice

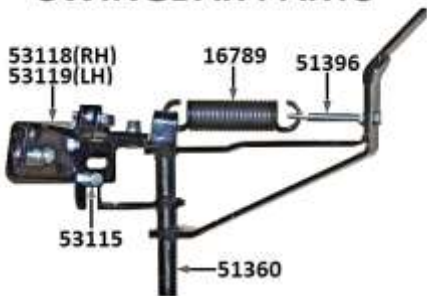
1955/57 Soft Top Swingbar and Related Parts

SWINGBAR PARTS



51360	Swing Bar (Used Original).....	Call
51360-A	Swing Bar Only, Soft Top (Reproduction).....	399.95
51360-R	Swing Bar as Original, Complete with Feet, Springs, Bolts and Hardware to Mount to Body.....	569.95
51360-BK	Special Bolts to Attach a Original Swing Bar to the Reproduction Soft Top.....	Each 19.95

SWINGBAR PARTS



16789-A	Spring, Soft Top Swing Bar, Long (Early).....	12.20
16789-B	Spring, Soft Top Swing Bar, Short 4-7/8" (Late).....	12.20
51396	Bolt, Special, Soft Top Lift Bar Spring with Nuts, (Cadmium Zinc Plated).....	3.00



53118-A	Foot Assembly, Swing Bar (Early Type RH).....	57.25
53118-B	Foot Assembly, Swing Bar (Late Type RH).....	57.25



53119-A	Foot Assembly, Swing Bar (Early Type LH).....	57.25
53119-B	Foot Assembly, Swing Bar (Late Type LH).....	57.25



53115	Bolt, Special, Swing Bar Feet Adjusting 2/Foot Assembly Including (53118-9).....	3.85
-------	--	------



K53118A	Kit, Soft Top Swing Bar Feet to Floor Pan.....	1.80
K53118B	Kit, Soft Top Feet Halves to Each Other.....	3.90



51374-S	Sleeve, Convertible Top at Lift Bar Assembly (Plated) Use with (354171-S) Pin.....	Each 5.95
51374-W	Spring Washer for (51374-S).....	1.20
53213-S	Wave Washer, Convertible Top Frame.....	1.20



356214-S	Washer, Convertible Top Frame.....	1.30
356383-S	Spring Washer, Convertible Top & Clutch Bolts.....	1.25
356600-S	Wave Washer, Convertible Top Frame.....	1.10



354169-S	Pin, Convertible Top, 3/4" Long (Stainless).....	6.25
354170-S	Pin, Convertible Top, 1-1/4" Long (Stainless).....	7.25
354171-S	Pin, Convertible Top at Swing Bar, 2-3/8" Long (Polished Stainless).....	8.25
357412-S	Pin, Convertible Top, 1-1/8" Long (Stainless).....	6.50



76005-S	Rivet Replacement Kit, Short - 1/2" Long.....	5.25
76006-S	Rivet Replacement Kit, Medium - 9/16" Long.....	5.25
76007-S	Rivet Replacement Kit, Long - 5/8" Long.....	5.25

SOFTTOP COVERS



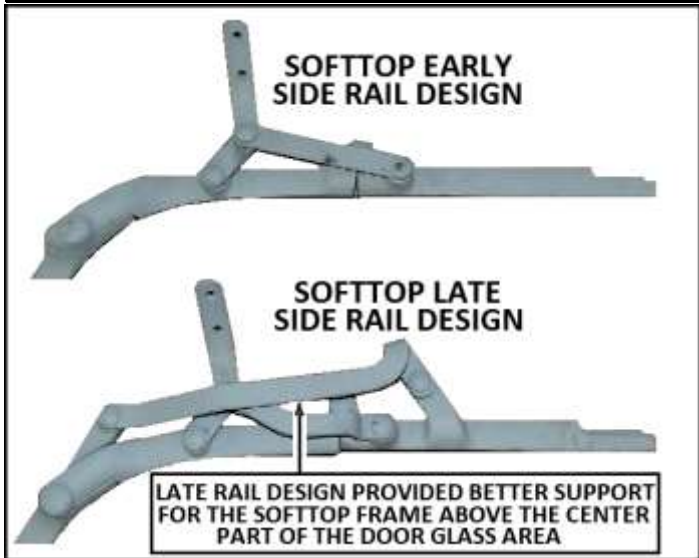
52700-B

Complete Set with Covering, Rear Window Wire-ons, and Tension Straps

52700-A	Soft Top Cover, Black Stay Fast (55) With Sewn-In Curtain.....	829.00
52700-B	Soft Top Cover, Black Stay Fast (56/57) With Straight Brass Zipper.....	829.00
52700-C	Soft Top Cover, Dark Blue Outer/Tan Under Stay Fast With Straight Brass Zipper.....	829.00
52700-D	Soft Top Cover, Tan Outer/Tan Under Stay Fast With Straight Brass Zipper.....	829.00
52700-E	Soft Top Cover, Vinyl White Outer/Tan Under With Sewn-In Curtain.....	579.00
52700-F	Soft Top Cover, Vinyl White Outer/Tan Under With Straight Brass Zipper.....	649.00
52700-G	Soft Top Cover, Vinyl White Outer/Black Under With Sewn-In Curtain.....	579.00
52700-H	Soft Top Cover, Vinyl Off-White Outer/Black Under With Sewn-In Curtain.....	579.00
52700-K	Soft Top Cover, Vinyl Off-White Outer/Black Under With Straight Brass Zipper.....	649.00
52700-M	Soft Top Cover, Vinyl Black Outer/Black Under With Straight Brass Zipper.....	649.00

*****For a Special Order Cover, Please Call*****

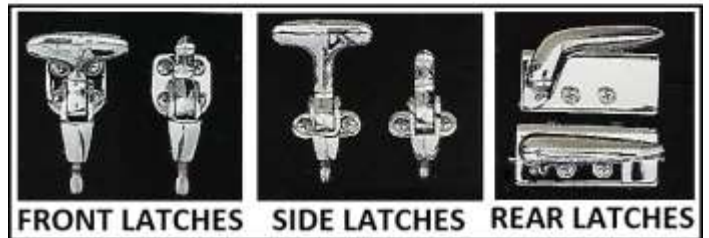
	K52700S	
K52700S	Kit, Soft Top Window Straps to Top	6.00



REPRODUCTION SOFTTOPS



**All Reproduction Tops come without the Swing Bar
Must Add Price of Swing Bar if Needed
Contour, Original Style Clamps and Handles
Bow Straps, Zip-Down Rear Windows
All Metal Frame-Black Baked Polyester Coating
Please Specify Year
Rear Deck Hold Down Fasteners Style-See Page 197**



FRONT LATCHES SIDE LATCHES REAR LATCHES



Reproduction Softtop

50103-BC	Black Canvas Cover without Swingbar	2995.00
50103-BCS	Black Canvas Cover with Swingbar	3495.00
50103-BUC	Blue Canvas Cover without Swingbar.....	2995.00
50103-BUCS	Blue Canvas Cover with Swingbar	3495.00
50103-TC	Tan Canvas Cover without Swingbar	2995.00
50103-TCS	Tan Canvas Cover with Swingbar	3495.00
50103-BV	Black Vinyl Cover without Swingbar	2695.00
50103-BVS	Black Vinyl Cover with Swingbar	3195.00
50103-WV	White Vinyl Cover without Swingbar.....	2695.00
50103-WVS	White Vinyl Cover with Swingbar.....	3195.00



Reproduction Softtop Frame

USED ORIGINAL SOFT TOPS

50103-A	Soft Top Assembly (Used Original (55)	Call
50103-B	Soft Top Assembly (Used Original (56/57)	Call

**See Left Hand of this Page for Soft Top Frame Info.
Early 1955's Has a 3-Piece Stainless Header Molding**

SEAT FOAM

New Foam cut to match the Original Moulded Shape
We use this Seat Foam in all our Restorations

Also See Page 194

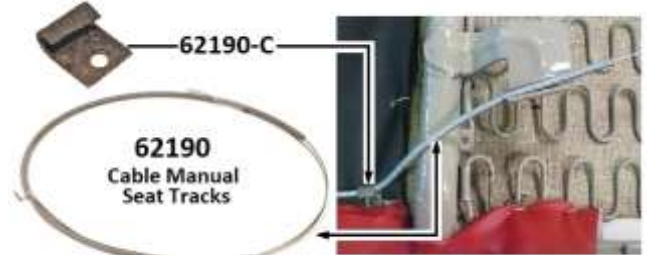


SF-55	Seat Foam Set (1955)	579.00
SF-55B	Seat Foam Back Only (1955)	269.00
SF-55S	Seat Foam Seat Only (1955)	339.00
SF-56	Seat Foam Set (1956)	549.00
SF-56B	Seat Foam Back Only (1956)	279.00
SF-56S	Seat Foam Seat Only (1956)	299.00
SF-57	Seat Foam Set (1957)	509.00
SF-57B	Seat Foam Back Only (1957)	279.00
SF-57S	Seat Foam Seat Only (1957)	279.00

MANUAL SEAT TRACK



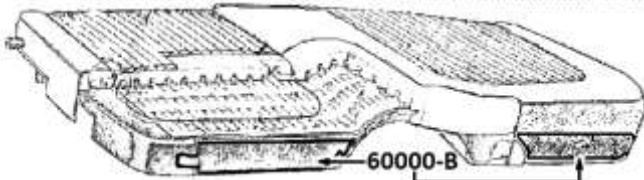
61704-5	Seat Tracks (Manual)	0.00
352736-S	Stud, Seat Frame to Floor Pan (4-Required)	Each 3.75



62190	Cable & Housing, Manual Seat Tracks	10.35
62190-C	Clip to Retain Cable & Housing to Seat Frame	Call



60000-A	Seat Tack Strip Set, Replaces Tack Strip on Frame Includes: (60000B) Seat Stiffeners	26.95
---------	---	-------



60000-B	Seat Stiff Boards (Pair) Goes on Bottom at Front	6.00
---------	--	------



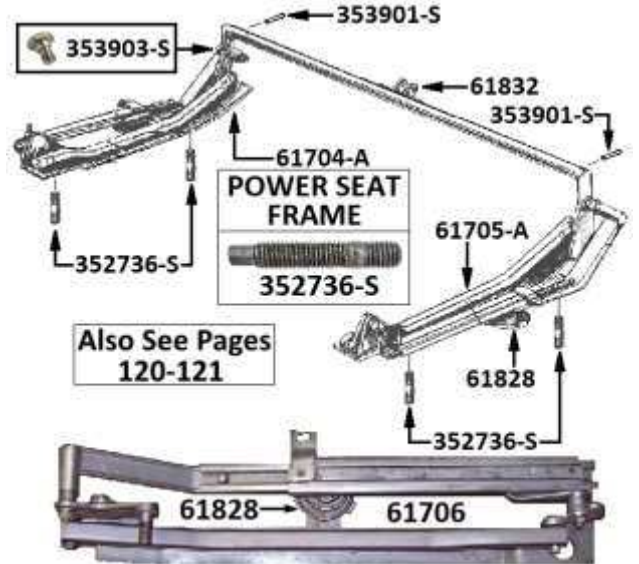
60000-C	Burlap Covering for Seat Frame	15.00
60000-D	Hog Rings & Tacks Kit	14.85



61642	Plate, Seat Stop with Screws (Pair)	7.85
353531-S	Bolt, Seat Back Adjusting & Stop	4.85
33923-S	Nut, Seat Stop (2 Required per Bolt 353531-S)	0.35



61755	Handle, Manual Seat Adjusting	16.99
K61755	Kit, Manual Seat Handle to Arm	1.20
62198	Shield, Manual Seat Adjuster (U-Shaped Polished)	10.95



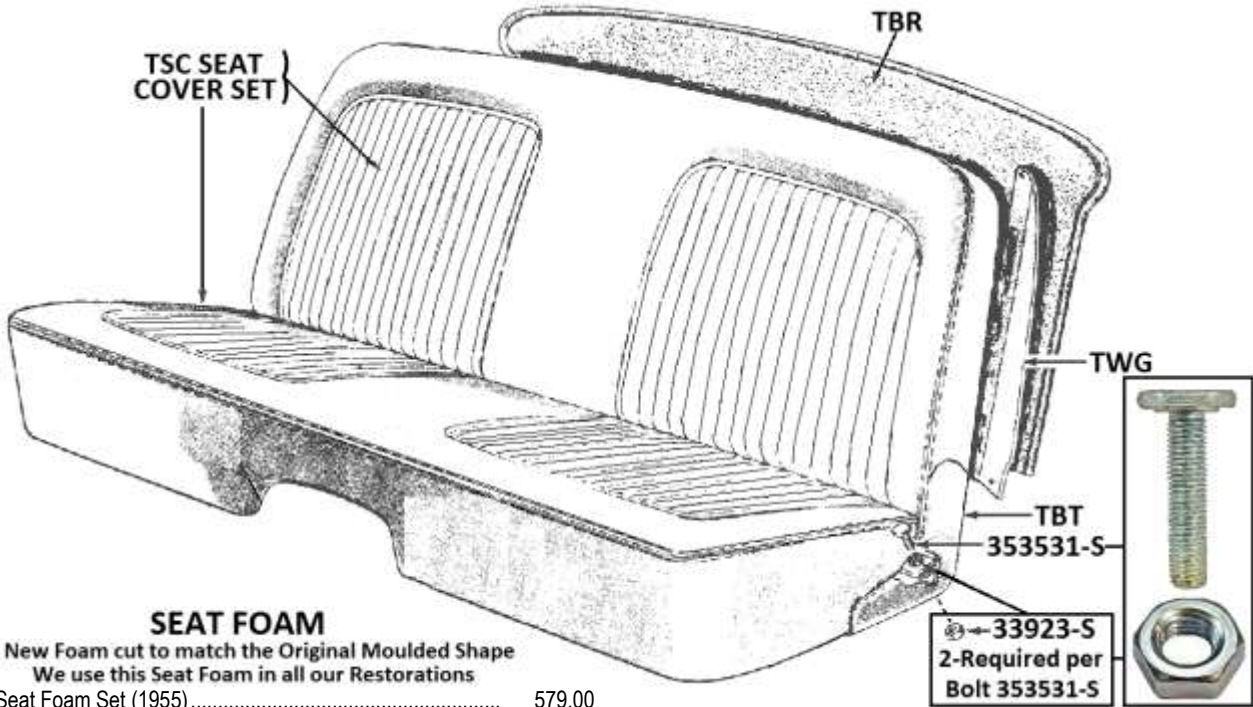
61704-A	Seat Tracks (RH, Power)	Call
61705-A	Seat Tracks (LH, Power)	Call
61832	Bar Only, Power Seat Frame (55/57)	Call



61828	Spring, Power Seat Assist	8.95
K61832	Kit, Floor Plug Buttons for Power Seat Cars	8.25



351759-S	Bolt, Arm to Frame (Used Original)	Call
353080-S	Steel Ball Bearing, Seat Tracks	1.20
353901-S	Roll Pin, Attaches Bar to Power Seat Tracks	0.90
353903-S	Bolt Special Shoulder Bolt to Seat Frame	5.85



SEAT FOAM

New Foam cut to match the Original Moulded Shape
We use this Seat Foam in all our Restorations

SF-55	Seat Foam Set (1955)	579.00
SF-55B	Seat Foam Back Only (1955)	269.00
SF-55S	Seat Foam Seat Only (1955)	339.00
SF-56	Seat Foam Set (1956)	549.00
SF-56B	Seat Foam Back Only (1956)	279.00
SF-56S	Seat Foam Seat Only (1956)	299.00
SF-57	Seat Foam Set (1957)	509.00
SF-57B	Seat Foam Back Only (1957)	279.00
SF-57S	Seat Foam Seat Only (1957)	279.00
33923-S	Nut, Seat Stop (2 Required per Bolt 353531-S)	0.35
353531-S	Bolt, Seat Back Adjusting & Stop	4.85

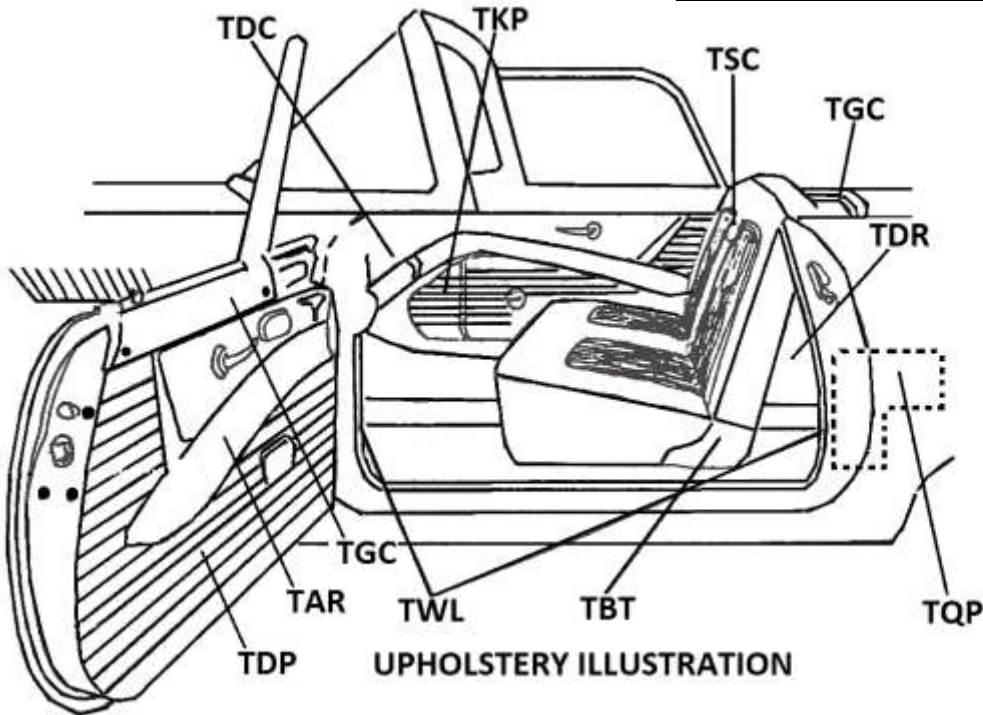


61642	Plate, Seat Stop with Screws (Pair)	7.85
-------	-------------------------------------	------

TONNEAU COVER ATTACHING HARDWARE
ALSO SEE PAGE 207



AU7677	Cap, Use at Tonneau Cover	1.00
AU7678	Socket, Use at Tonneau Cover	0.90
AU7683	Socket, Use at Tonneau Cover	1.90
AU7684	Clinch Plate, Use at Tonneau Cover	1.10
AU7688	Stud, Use at Tonneau Cover	2.50
AU14833	Stud, Use at Tonneau Cover	1.60



1955/57 Thunderbird Upholstery and Related Parts

COMPLETE UPHOLSTERY KIT

- | | |
|------------------|--------------------------|
| INCLUDES: | BACKREST BOOTIES |
| WINDLACE | VINYL FLOOR COVERS |
| KICK PANELS | GARNISH RAIL COVERS |
| SEAT COVERS | BACKREST CARDBOARD |
| DOOR PANELS | DOOR PANEL BEADINGS |
| DROP CURTAIN | CARPET AND JUTE PAD |
| BACKREST WINGS | DASH COVER (55/56 ONLY) |
| ARMREST COVERS | QUARTER PANEL CARDBOARDS |

****DEDUCT \$42.50 FOR NO DASH COVER 55/56****
 UPHOLSTERY KIT DOES NOT INCLUDE (04290) DASH PAD FOR 1957
ALL OF OUR UPHOLSTERY IS CONCOURS CORRECT

TUK55BK	55 Black and White.....	1135.00
TUK55RD	55 Red and White.....	1135.00
TUK55GN	55 Turquoise and White	1135.00
TUK55YL	55 Black and Yellow	1135.00
TUK56BK	56 Black and White.....	1108.00
TUK56BKE	56 Black and White (Embossed).....	1135.00
TUK56RD	56 Red and White.....	1108.00
TUK56RDE	56 Red and White (Embossed)	1135.00
TUK56PK	56 Peacock Blue and White	1108.00
TUK56PKE	56 Peacock Blue and White (Embossed)	1135.00
TUK56GN	56 Green and White	1108.00
TUK56GNE	56 Green and White (Embossed).....	1135.00
TUK56BS	56 Buckskin and White.....	1108.00
TUK56BSE	56 Buckskin and White (Embossed)	1135.00
TUK57BK	57 Black and White.....	1108.00
TUK57BKE	57 Black and White (Embossed).....	1135.00
TUK57BZ	57 Bronze	1108.00
TUK57BZE	57 Bronze (Embossed).....	1135.00
TUK57BU	57 Blue.....	1108.00
TUK57BUE	57 Blue (Embossed).....	1135.00
TUK57GN	57 Green.....	1108.00
TUK57GNE	57 Green (Embossed).....	1135.00
TUK57RD	57 Red.....	1108.00
TUK57RDE	57 Red (Embossed).....	1135.00
TUK57WT	57 White.....	1108.00
TUK57WTE	57 White (Embossed).....	1135.00

SEAT COVER SET

All of the Seat Cover Sets include Cushion and Backrest Covers, Backrest Hinge "Booties" and the "Wings" that go between edge of the Backseat and Backrest Cardboard.



1955 SEAT COVER



1956 SEAT COVER



1957 SEAT COVER

CALL FOR LEATHER UPHOLSTERY INFO

Embossment was on all 1956 T-Birds and on all early 1957 T-Birds
 Embossment Deleted on Late 1957 T-Birds
 Small Data Plate



1956



1957

ADD \$30.00 FOR EMBOSSMENT
 Add the Letter (E) at the end of the Part# for Embossment
 Example: TSC57RDE



TSC55RD

TSC55BK	55 Black and White	379.00
TSC55RD	55 Red and White	379.00
TSC55GN	55 Green and White	379.00
TSC55YL	55 Black and Yellow	379.00
TSC56BK	56 Black and White	399.00
TSC56RD	56 Red and White	399.00
TSC56PK	56 Peacock and White	399.00
TSC56GN	56 Green and White	399.00
TSC56PK	56 Buckskin Tan and White	399.00
TSC57BK	57 Black and White	399.00
TSC57BZ	57 Bronze	399.00
TSC57BU	57 Blue	399.00
TSC57GN	57 Green	399.00
TSC57RD	57 Red	399.00
TSC57WT	57 White	399.00

INTERIOR TRIM SCREW KITS

Order One Part Number
 Get All the Interior Trim Kits you Need



KITSK55
KITSK56
KITSK57

KITSK55	Interior Trim Screw Kit (1955).....	30.00
KITSK56	Interior Trim Screw Kit (1956).....	35.00
KITSK57	Interior Trim Screw Kit (1957).....	38.00

FORD SPORTS CAR

1955
1956

TRIM AND SEALER MANUAL

TRIM and SEALER MANUAL

A must when you are restoring your Bird's Interior. It shows the Installation of all the Upholstery Trim, Sound Deadeners, and Weatherstrips as originally done by the Factory.

This Manual is divided into three sections covering 1955, 1956, 1957

110-26-A	T&S Manual (55/56).....	42.00
110-26-B	T&S Manual (57).....	42.00

1955/1957 Thunderbird Upholstery and Related Parts

ARM REST COVER SET-PAIR
Vinyl Arm Rest Covers. Pair Only



TAR55RD

TAR55BK	55-56 Black	48.50
TAR55GN	55 Green	48.50
TAR55RD	55 Red	48.50
TAR56BS	56 Buckskin	48.50
TAR56GN	56 Green	48.50
TAR56PK	56 Peacock	48.50
TAR56RD	56 Red	48.50
TAR57BK	57 Black	48.50
TAR57BU	57 Blue	48.50
TAR57BZ	57 Bronze	48.50
TAR57GN	57 Green	48.50
TAR57RD	57 Red	48.50
TAR57WT	57 White	48.50

Arm Rest Body - Also see Page 182



24140

24140	Arm Rest Body RH (Fiberglass)	Call
-------	-------------------------------	------



24141

24141	Arm Rest Body LH (Fiberglass)	Call
-------	-------------------------------	------



K24140

K24140	Kit, Arm Rest Bases to Door Panels	2.60
--------	------------------------------------	------

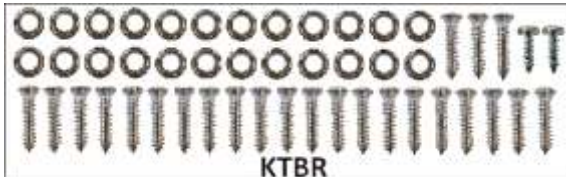
BACKREST CARDBOARD



TBR56PK

Completely Correct with Original Type Colored Cardboard
Edged with Correct Extruded Binding

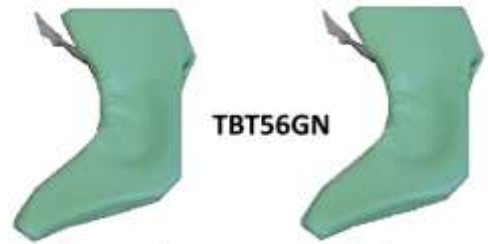
TBR55BK	55-57 Black	51.50
TBR55GN	55 Green	51.50
TBR55RD	55 Red	51.50
TBR56BK	56 Black	51.50
TBR56BS	56 Buckskin	51.50
TBR56GN	56 Green	51.50
TBR56PK	56 Peacock	51.50
TBR56RD	56 Red	51.50
TBR57BU	57 Blue	51.50
TBR57BZ	57 Bronze	51.50
TBR57GN	57 Green	51.50
TBR57RD	57 Red	51.50
TBR57WT	57 White	51.50



KTBR

KTBR	Kit, Seat Back Panel to Seat	6.40
------	------------------------------	------

BACKREST BOOTIES



TBT56GN

Backrest Booties are a Custom Fit Vinyl Cover
for the Hinge that Support your Seatback
Booties are Included with the Seat Cover Sets (Pair Only)

TBT55BK	55-56 Black	16.85
TBT55GN	55 Green	16.85
TBT55RD	55 Red	16.85
TBT56BS	56 Buckskin	16.85
TBT56GN	56 Green	16.85
TBT56PK	56 Peacock	16.85
TBT56RD	56 Red	16.85
TBT57BK	57 Black	16.85
TBT57BU	57 Blue	16.85
TBT57BZ	57 Bronze	16.85
TBT57GN	57 Green	16.85
TBT57RD	57 Red	16.85
TBT57WT	57 White	16.85



JUTEPAD

CARPET SET
TCP55RDJ

Carpet features Nylon Loop Pile with Cloth Bindings
Die-Cut Properly, and also Includes the Rubber Heal
and Foot Side Rubber Pads. Comes with Jute Pad

TCP55BKJ	55 Black	190.00
TCP55GNJ	55 Green	190.00
TCP55RDJ	55 Red	190.00
TCP55RDJS	55 Red 57 Style	190.00
TCP56BKJ	56-57 Black	190.00
TCP56BSJ	56 Buckskin	190.00
TCP56GNJ	56 Green	190.00
TCP56PKJ	56 Peacock	190.00
TCP56RDJ	56 Red	190.00
TCP57BUJ	57 Blue	190.00
TCP57BJ	57 Bronze	190.00
TCP57GNJ	57 Green	190.00
TCP57RDJ	57 Red	190.00

****ALL CARPET WITHOUT JUTE PAD**** 160.00

TCP-JUTE	Jute Pad Only	30.00
TAC-17	Floor Pan Heat Shield Set	75.00

Also See Page 207

FPDS
Floor Pan Deadener Set with Instructions (55/57) 59.95

DOOR PANEL BEADING



TDB56RD SOLD AS A PAIR

The Vinyl Covered Door Panel Beading fills on the Gap at the Front of the Aluminum Door Trim Panel along the Top Edge

TDB55BK	55-56 Black	15.50
TDB55GN	55 Green	15.50
TDB55RD	55 Red	15.50
TDB56BS	56 Buckskin	15.50
TDB56GN	56 Green	15.50
TDB56PK	56 Peacock	15.50
TDB56RD	56 Red	15.50
TDB57BK	57 Black	15.50
TDB57BU	57 Blue	15.50
TDB57BZ	57 Bronze	15.50
TDB57GN	57 Green	15.50
TDB57RD	57 Red	15.50
TDB57WT	57 White	15.50

DASH COVER



TDC56PK

All Dash Covers are Sewn as Original and are ready for Concourse Events

TDC55BK	55 Black	57.00
TDC55GN	55 Green	57.00
TDC55RD	55 Red	57.00
TDC56BS	56 Buckskin	57.00
TDC56GN	56 Green	57.00
TDC56PK	56 Peacock	57.00
TDC56RD	56 Red	57.00

DOOR PANELS



TDP55WT	55 White (Pair)	199.00
TDP55YL	55 Yellow (Pair)	199.00
TDP56WT	56 White (Pair)	199.00
TDP57BU	57 Blue (Pair)	240.00
TDP57BZ	57 Bronze (Pair)	240.00
TDP57RD	57 Red (Pair)	240.00
TDP57WT	57 White (Pair)	240.00

RETAINER DOOR PANEL BOTTOM-1957 ONLY



21032



K21032

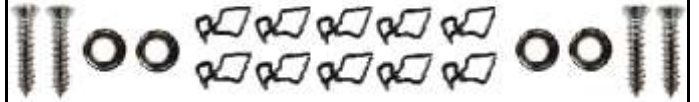
21032	Retainer, Door Panel at Bottom RH/LH (57)	15.90
K21032	Kit, Door Panel Retainers (21032-3, 57)	1.60

DOOR PANEL INSTALLATION KIT - 55/56



KTDPA Kit, Door Panels to Doors (55/56) 14.00

DOOR PANEL INSTALLATION KIT - 1957



KTDPB Kit, Door Panels to Doors (57) 9.00



DOOR PANEL CLIP

371905-S

371905-S Door Panel Clips Only (55/57) Each 0.75

DOOR PANEL TRIM L-MOULDINGS

ALSO SEE PAGE-169



20920



20921

20920	Molding, L-Shape Door Trim RH	16.85
20921	Molding, L-Shape Door Trim LH	16.85
K21166	Kit Screws at Front of 21166 and 21167 (4-pieces)	1.00



21166

21166	Panel Door Trim RH	129.45
-------	--------------------	--------



21167

21167	Panel Door Trim LH	129.45
-------	--------------------	--------



21167-C

21167-C	Panel Door Trim LH with Hole for P/S Switches	135.95
---------	---	--------

1955/1957 Thunderbird Upholstery and Related Parts

DROP CURTAIN



TDR57BU

Drop Curtains Cover the Rear Portion of your Thunderbird Interior behind your Seatback (Snap Studs Included)

Drop Curtain was not used with Cars that had a Tonneau Cover



TDR55BK	55-56 Black	75.00
TDR55GN	55 Green	75.00
TDR55RD	55 Red	75.00
TDR56BS	56 Buckskin	75.00
TDR56GN	56 Green	75.00
TDR56PK	56 Peacock	75.00
TDR56RD	56 Red	75.00
TDR57BK	57 Black	75.00
TDR57BU	57 Blue	75.00
TDR57BZ	57 Bronze	75.00
TDR57GN	57 Green	75.00
TDR57RD	57 Red	75.00
TDR57WT	57 White	75.00
KTDRB	Kit, 55/56 Drop Curtain to Floor	15.00
KTDRB	Kit, 57 Drop Curtain to Floor	12.00
AU7688	Stud Only for (55/56) Drop Curtain	2.50

VINYL FLOOR COVER



TFC57GN

Vinyl Floor Cover is a Color-Matched piece of Vinyl that Covers the Floor area between the Seatback and the Drop Curtain

Most 1956 T-Birds have a small floor cover.

1956 T-birds that were equipped with a Factory Tonneau Cover came with a large Floor Cover.

TFC55BK	55-56 Black	12.50
TFC55GN	55 Green	12.50
TFC55RD	55 Red	12.50
TFC56BKT	56 Black with Tonneau	25.50
TFC56BS	56 Buckskin	12.50
TFC56BST	56 Buckskin with Tonneau	25.50
TFC56GN	56 Green	12.50
TFC56GNT	56 Green with Tonneau	25.50
TFC56PK	56 Peacock	12.50
TFC56PKT	56 Peacock with Tonneau	25.50
TFC56RD	56 Red	12.50
TFC56RDT	56 Red with Tonneau	25.50
TFC57BK	57 Black	25.50
TFC57BU	57 Blue	25.50
TFC57BZ	57 Bronze	25.50
TFC57GN	57 Green	25.50
TFC57RD	57 Red	25.50
TFC57WT	57 White	25.50

GARNISH RAIL COVER



TGC56PK

These Color-Matched Strips of Vinyl are used to cover the Door Garnish Rail and the Garnish Rail at the Rear Deck area behind the Seat. Ask about Leather Garnish Rail Covers.

TGC55BK	55-56 Black	21.50
TGC55GN	55 Green	21.50
TGC55RD	55 Red	21.50
TGC56BS	56 Buckskin	21.50
TGC56GN	56 Green	21.50
TGC56PK	56 Peacock	21.50
TGC56RD	56 Red	21.50

GARNISH RAIL COVER-CONTINUE

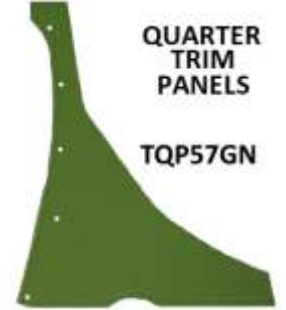
TGC57BK	57 Black	21.50
TGC57BU	57 Blue	21.50
TGC57BZ	57 Bronze	21.50
TGC57GN	57 Green	21.50
TGC57RD	57 Red	21.50
TGC57WT	57 White	21.50



K20906	Kit, Door Garnish Rail to Doors	1.80
K20906A	Same as Above with Oversize Threads	2.10



KICK PANELS



QUARTER TRIM PANELS

TQP57GN

TKP55WT	55 White - Kick Panels (Sold as Pair)	95.00
TKP55YL	55 Yellow - Kick Panels (Sold as Pair)	95.00
TKP56WT	56 White - Kick Panels (Sold as Pair)	95.00
TKP57BU	57 Blue - Kick Panels (Sold as Pair)	115.00
TKP57BZ	57 Bronze - Kick Panels (Sold as Pair)	115.00
TKP57GN	57 Green - Kick Panels (Sold as Pair)	115.00
TKP57RD	57 Red - Kick Panels (Sold as Pair)	115.00
TKP57WT	57 White - Kick Panels (Sold as Pair)	115.00



KICK PANEL RETAINERS

02354	Retainer Kick Panel (RH)	69.00
02355	Retainer Kick Panel (LH)	69.00
02354-5K	Retainer Kick Panel (Pair, RH-LH)	115.00

TQP55BK	55-56 Black - Quarter Trim Panels (Sold as Pair)	49.90
TQP55WT	55 White - Quarter Trim Panels (Sold as Pair)	49.90
TQP55YL	55 Yellow - Quarter Trim Panels (Sold as Pair)	49.90
TQP56BS	56 Buckskin - Quarter Trim Panels (Sold as Pair)	49.90
TQP56GN	56 Green - Quarter Trim Panels (Sold as Pair)	49.90
TQP56PK	56 Peacock - Quarter Trim Panels (Sold as Pair)	49.90
TQP56RD	56 Red - Quarter Trim Panels (Sold as Pair)	49.90
TQP57BK	57 Black - Quarter Trim Panels (Sold as Pair)	49.90
TQP57BU	57 Blue - Quarter Trim Panels (Sold as Pair)	49.90
TQP57BZ	57 Bronze - Quarter Trim Panels (Sold as Pair)	49.90
TQP57GN	57 Green - Quarter Trim Panels (Sold as Pair)	49.90
TQP57RD	57 Red - Quarter Trim Panels (Sold as Pair)	49.90
TQP57WT	57 White - Quarter Trim Panels (Sold as Pair)	49.90



KTQP Kit, Quarter Trim Panels to Body (2 Sides) 3.00



31262
2-PIECES
24" LONG

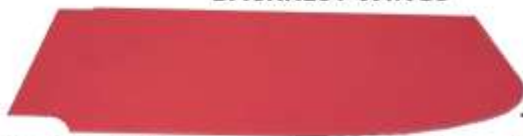


31262-K
2-PIECES
14" LONG

31262	Quarter Panel Cardboard Tack Strip (Pair)	6.00
31262-K	Kick Panel Tack Strip (Pair)	4.00

1955/1957 Thunderbird Upholstery and Related Parts

BACKREST WINGS



TWG56RD

The Backrest Wings goes on the rear of the Backrest to cover the gap between the Backrest and the Backrest Cardboard on the sides.
 Note: Backrest Wings are Included in the Seat Cover Sets

TWG55BK	55-56 Black.....	21.50
TWG55GN	55 Green.....	21.50
TWG55RD	55 Red.....	21.50
TWG56BS	56 Buckskin.....	21.50
TWG56GN	56 Green.....	21.50
TWG56PK	56 Peacock.....	21.50
TWG56RD	56 Red.....	21.50
TWG57BK	57 Black.....	21.50
TWG57BU	57 Blue.....	21.50
TWG57BZ	57 Bronze.....	21.50
TWG57GN	57 Green.....	21.50
TWG57RD	57 Red.....	21.50
TWG57WT	57 White.....	21.50



**WINDLACE
TWL57BU**

Windlace Vinyl Covered (4) Pieces to go in Front of and in Back of Door

TWL55BK	55-56 Black.....	45.00
TWL55GN	55 Green.....	45.00
TWL55RD	55 Red.....	45.00
TWL56BS	56 Buckskin.....	45.00
TWL56GN	56 Green.....	45.00
TWL56PK	56 Peacock.....	45.00
TWL56RD	56 Red.....	45.00
TWL57BK	57 Black.....	45.00
TWL57BU	57 Blue.....	45.00
TWL57BZ	57 Bronze.....	45.00
TWL57GN	57 Green.....	45.00
TWL57RD	57 Red.....	45.00
TWL57WT	57 White.....	45.00

WINDLACE CLOTH-COVERED

Original-Style Windlace Sets Include (4) Pieces that go in Front of and in Back of Door

TWL55BKC	55-56 Black.....	55.00
TWL55GNC	55 Green.....	55.00
TWL55RDC	55 Red.....	55.00
TWL56GNC	56 Green.....	55.00
TWL56PKC	56 Peacock.....	55.00
TWL56RDC	56 Red.....	55.00

SUNVISORS

SUNVISORS ARE NOT INCLUDED WITH THE UPHOLSTERY KITS



04104-C - Sold in Pairs - Also See Page 155

Sun Visors Color match our Upholstery Kits & Interior Parts

04104-A	1956 White (Sold in Pairs).....	179.00
04104-B	1957 White (Sold in Pairs).....	179.00
04104-C	1957 Red (Sold in Pairs).....	179.00
04104-D	1957 Blue (Sold in Pairs).....	179.00
04104-E	1957 Green (Sold in Pairs).....	179.00
04104-F	1957 Bronze (Sold in Pairs).....	179.00

TONNEAU COVER

Also See Page 184
 Snaps Included but not Installed



TTC57RD

T-Birds with a Tonneau Cover did not use a Drop Curtain

TTC55BK	55-56 Black.....	235.00
TTC55GN	55 Green.....	235.00
TTC55RD	55 Red.....	235.00
TTC55WT	55 White.....	235.00
TTC56BS	56 Buckskin.....	235.00
TTC56GN	56 Green.....	235.00
TTC56PK	56 Peacock.....	235.00
TTC56RD	56 Red.....	235.00
TTC57BK	57 Black.....	235.00
TTC57BU	57 Blue.....	235.00
TTC57BZ	57 Bronze.....	235.00
TTC57GN	57 Green.....	235.00
TTC57RD	57 Red.....	235.00
TTC57WT	57 White.....	235.00

	<p>Kit Included with Tonneau Cover</p>
TCK567	Kit, Tonneau Cover..... 35.00

1957 PADDED DASH



04290

Also See Page 155

1957 Padded Dash feature high grade material, plus correct grain and colors that match original factory specifications. These are handcrafted to fit right onto original factory mounition points, but may need trimmed to fit correctly. Pre-fit before gluing to metal dash.

04290-C	57 Blue.....	490.00
04290-D	57 Black.....	490.00
04290-E	57 White.....	490.00
04290-F	57 Red.....	490.00
04290-G	57 Green.....	490.00
04290-H	57 Bronze.....	490.00

TAC17

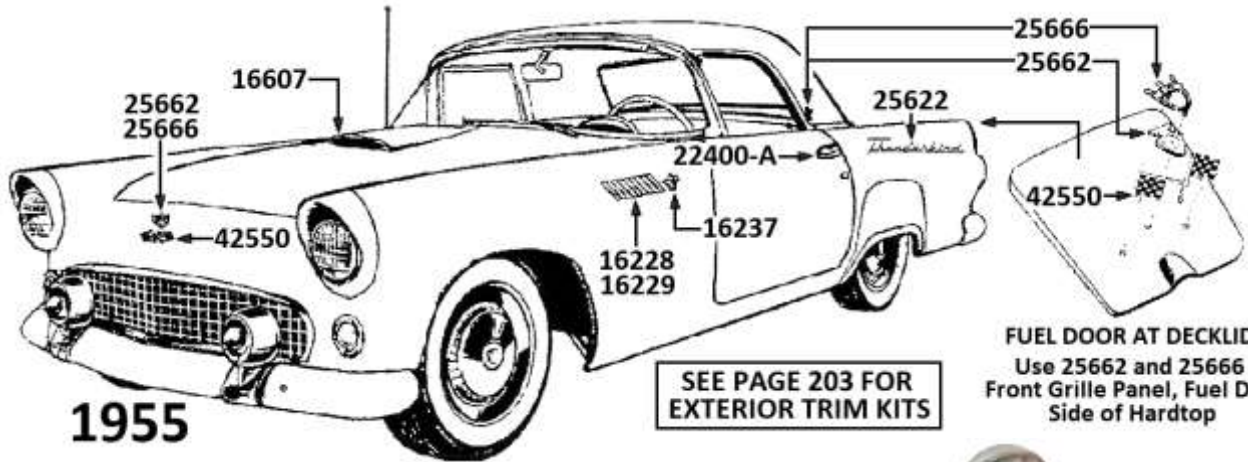
Floor Pan Heat Shield

Floor Pan Heat Shield will insulate your entire floor pan area from heat and reduces road noise.



TAC-17	Floor Pan Heat Shield Set.....	75.00
--------	--------------------------------	-------

1955 Thunderbird Medallion, Ornament, Nameplate and Related Parts



1955

SEE PAGE 203 FOR EXTERIOR TRIM KITS

FUEL DOOR AT DECKLID
Use 25662 and 25666
Front Grille Panel, Fuel Door
Side of Hardtop



16228

16228 Louver Trim RH..... 32.25



16229

16229 Louver Trim LH..... 32.25



K16228 Kit, Louver Trim to Fenders..... 2.20
16237 Emblem, V8 Body Slide (55)..... 22.50
K16237 Kit, Y-Block Emblems (16237) (55)..... 1.60



16607

16607 Grille, Hood Scoop (Reproduction with Studs)..... 79.50



K16607A

K16607 Kit, Hood Scoop (16607) to Hood without Studs..... 5.45
K16607A Kit, Hood Scoop (16607) to Hood with Studs..... 9.95



17696-A



K17696A

17696-A Outside Mirror (55)..... 45.00
17696-ACV Outside Mirror (55, Convex Glass)..... 49.95
K17696A Kit, Side Mirror to Door (55)..... 1.80



22400-A

22400-A Door Handle Die Casting (Chrome Plated, Pair)..... 45.50
22428 Pad, Outside Door Handle (Large)..... 1.45
22448 Pad, Outside Door Handle (Small)..... 1.25



22428



22448

25622 Thunderbird Script on Quarter (55/56)..... 28.50



K22400A

K25622

K22400A Kit to Install Door Handles..... 1.80
K25622 Kit to Install (25622) Nameplates (55/56)..... 2.60



25662

25666

Use 25662 and 25666
Front Grille Panel, Fuel Door
Side of Hardtop



K25666
Does One

25662 Medallion..... 20.90
25666 Retainer for (25622, Chrome)..... 21.90
K25666 Kit, Crest Medallion with Pad (Does one Medallion)..... 1.75



42550



K42550

42550 Cross Flags (55)..... 13.50
K42550 Kit, Cross Flags Install (55)..... 1.60



43603-A

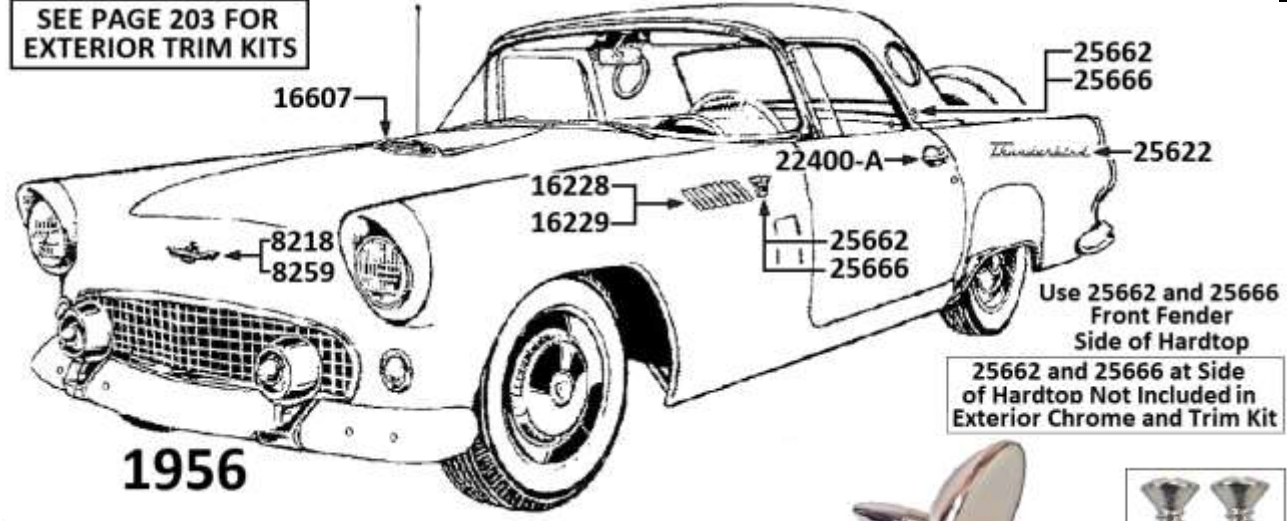


43625-A

43603-A Sleeve Assembly, Deck Lid Lock Cylinder (55/56)..... 56.95
43625-A Pad, Trunk Lock Cylinder (55/56)..... 4.15

Also See
Page 179

SEE PAGE 203 FOR EXTERIOR TRIM KITS



1956



8218 Nameplate Upper Panel (56/57) 18.50



8259 Ornament Upper Panel 33.70



16228 Louver Trim RH 32.25



16229 Louver Trim LH 32.25



K8259 Kit, Nameplate (8259) to Front Panel 1.75
 K16228 Kit, Louver Trim to Fenders 2.20



16607 Grille, Hood Scoop (Reproduction with Studs) 79.50



K16607 Kit, Hood Scoop (16607) to Hood without Studs 5.45
 K16607A Kit, Hood Scoop (16607) to Hood with Studs 9.95

Use 25662 and 25666 Front Fender Side of Hardtop

25662 and 25666 at Side of Hardtop Not Included in Exterior Chrome and Trim Kit



17696-B

17696-B Outside Mirror (56/56) 45.00
 17696-BCV Outside Mirror (56/57, Convex Glass) 49.95
 K17696B Kit, Side Mirror to Door (56/57) 1.20



K17696B



22400-A

22400-A Door Handle Die Casting (Chrome Plated, Pair) 45.50
 22428 Pad, Outside Door Handle (Large) 1.45
 22448 Pad, Outside Door Handle (Small) 1.25



22428

22448



25622

25622 Thunderbird Script on Quarter (55/56) 28.50



K22400A

K25622

K22400A Kit to Install Door Handles 1.80
 K25622 Kit to Install (25622) Nameplates (55/56) 2.60



25662

25666

Use 25662 and 25666 Front Grille Panel, Fuel Door Side of Hardtop



K25666

Does One

25662 Medallion 20.90
 25666 Retainer for (25622, Chrome) 21.90
 K25666 Kit, Crest Medallion with Pad (Does one Medallion) 1.75



43603-A

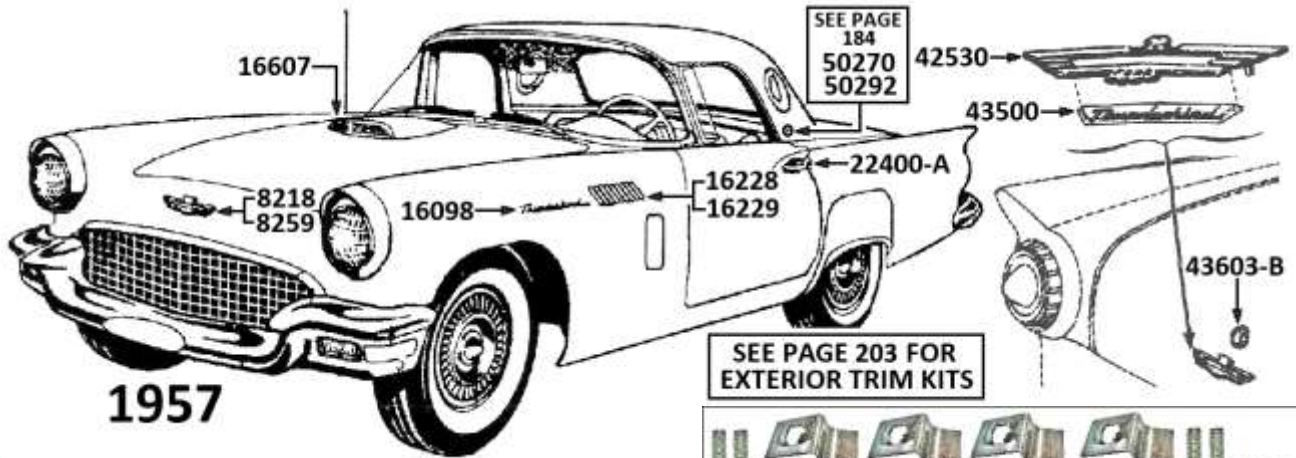
43603-A Sleeve Assembly, Deck Lid Lock Cylinder (55/56) 56.95
 43625-A Pad, Trunk Lock Cylinder (55/56) 4.15



43625-A

Also See Page 179

1957 Thunderbird Medallion, Ornament, Nameplate and Related Parts



SEE PAGE 184
50270
50292

SEE PAGE 203 FOR
EXTERIOR TRIM KITS



1957

Thunderbird

8218

8218	Nameplate, Upper Panel (55/56)	18.50
------	--------------------------------------	-------



8259	Ornament, Upper Panel	33.70
------	-----------------------------	-------



16098	Thunderbird Script (57, Repro) (4-Studs) (As Original)	28.50
16098-A	Thunderbird Script (57, Repro) (5-Studs)	28.50



K8259	Kit, Nameplate (8259) to Front Panel	1.75
K16098	Kit, Thunderbird Script to Body (57)	2.20



16228	Louver Trim RH	32.25
-------	----------------------	-------



16229	Louver Trim LH	32.25
-------	----------------------	-------



K16228	Kit, Louver Trim to Fenders	2.20
--------	-----------------------------------	------



16607	Grille, Hood Scoop (Reproduction with Studs)	79.50
-------	--	-------

K16607	Kit, Hood Scoop (16607) to Hood without Studs	5.45
K16607A	Kit, Hood Scoop (16607) to Hood with Studs	9.95



17696-B	Outside Mirror (56/57)	45.00
17696-BCV	Outside Mirror (56/57, Convex Glass)	49.95
K17696B	Kit, Side Mirror to Door (56/57)	1.00



22400-A	Door Handle Die Casting (Chrome Plated, Pair)	45.50
K22400A	Kit to Install Door Handles	1.80
22428	Pad, Outside Door Handle (Large)	1.45
22448	Pad, Outside Door Handle (Small)	1.25



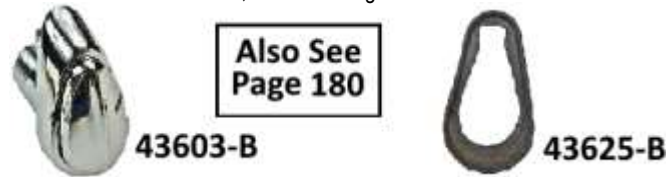
42530	Nameplate, Rear Deck Handle (57)	15.85
-------	--	-------



43500	Handle, Rear Deck Ornament (57)	24.50
-------	---------------------------------------	-------



K43500	Kit, Trunk Handle & Insert to Rear Deck (57)	6.50
K43500A	Same as Above, Without Wedge Washers	4.00



43603-B	Sleeve Assembly, Deck Lid Lock Cylinder (57)	49.95
43625-B	Pad, Trunk Lock Cylinder (57)	4.15

Also See
Page 180

Grille Trim See Page 73 - Fender Skirt Trim See Page 177
 Windshield Trim See Pages 153, 154 - Back Glass Trim See Pages 182-187
 Hardtop Trim See Pages 188, 189

**** Refresh your Thunderbird with this Exterior Trim Kit, Includes Attaching Hardware ****

1955 KIT INCLUDES THE FOLLOWING:

- 1 - 16228 Hash Mark RH
- 1 - 16229 Hash Mark LH
- 2 - 16237 V/8 Emblems
- 1 - 16607 Hood Grille
- 1 - 17696A Mirror Outside
- 1 - 22400A Door Handles Outside
- 2 - 25622 Thunderbird Script
- 2 - 25662 Ford Medallion
- 2 - 25666 Retainer Medallion
- 2 - 42550 Cross Flags
- 1 - 43603-A Trunk Lock Sleeve



(16099-A) Exterior Trim Kit with Attaching Hardware 1955

489.95

1956 KIT INCLUDES THE FOLLOWING:

- 1 - 8218 Nameplate Nose Panel
- 1 - 8259 Ornament Nose Panel
- 1 - 16228 Hash Mark RH
- 1 - 16229 Hash Mark LH
- 1 - 16607 Hood Grille
- 1 - 17696-B Mirror Outside
- 1 - 22400A Door Handles Outside
- 2 - 25622 Thunderbird Script
- 2 - 25662 Ford Medallion
- 2 - 25666 Retainer Medallion
- 1 - 43603-A Trunk Lock Sleeve



(16099-B) Exterior Trim Kit with Attaching Hardware 1956

479.95

1957 KIT INCLUDES THE FOLLOWING

- 1 - 8218 Nameplate Nose Panel
- 1 - 8259 Ornament Nose Panel
- 1 - 16228 Hash Mark RH
- 1 - 16229 Hash Mark LH
- 1 - 16607 Hood Grille
- 1 - 17696-B Mirror Outside
- 1 - 22400A Door Handles Outside
- 1 - 42530 - Insert Plastic Trunk Handle
- 1 - 43500 - Handle Trunk Chrome
- 1 - 43603-B Trunk Lock Sleeve



(16099-C) Exterior Trim Kit with Attaching Hardware 1957 (Includes 43603-B)..... 429.95

***** EXTERIOR SMALL TRIM KIT *****

1955	Includes Attaching Hardware	
16099-AK	Includes: 16228, 16229, (2) 16237, (2) 25622, (2) 25662, (2) 25666, (2) 42550.....	274.95
1956	Includes Attaching Hardware	
16099-BK	Includes: 8218, 8259, 16228, 16229, (2) 25622, (2) 25662, (2) 25666.....	259.95
1957	Includes Attaching Hardware	
16099-CK	Includes: 8218, 8259, (2) 16098, 16228, 16229, 42530, 43500.....	219.95

1955/57 Thunderbird Repair Panels

All Repair Panels are 18 Gauge
Inner Rockers are 16 Gauge



8104-R



8105-R

- 8104-R Deflector, Radiator Side Air (Metal RH) Call
- 8105-R Deflector, Radiator Side Air (Metal LH) Call



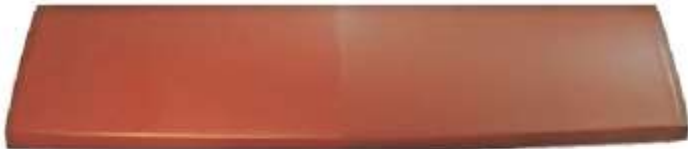
B7S8104A



B7S8105A

NEW OLD STOCK

- B7S8104A Deflector, Radiator Side Air (Metal RH, NoS) Call
- B7S8105A Deflector, Radiator Side Air (Metal LH, NoS) Call



8214

- 8214 Nose Panel (Reproduction Steel) 515.00



8223

- 8223 Panel, Upper Grille Reinforcement (Steel) 139.00



8310-A

- 8310-A Gravel Shield, Lower (55/56) Call
- 8310-AF Gravel Shield, Lower (55/56, Fiberglass) Call



8310-B

- 8310-B Gravel Shield, Lower (57) Call
- 8310-BF Gravel Shield, Lower (57, Fiberglass) Call



8327

- 8327 Deflector, Radiator Center Air Call



RP17RH



RP17LH

- RP17RH Front Park Light Repair Panel (55/56, RH) 125.00
- With Grille Opening Edge
- RP17LH Front Park Light Repair Panel (55/56, LH) 125.00
- With Grille Opening Edge



RP1757RH



RP1757LH

- RP1757RH Front Park Light Repair Panel (57, RH) 99.00
- With Grille Opening Edge
- RP1757LH Front Park Light Repair Panel (57, LH) 99.00
- With Grille Opening Edge



RP20RH



RP20LH

- RP20RH Flange, Lower Front Fender RH 22.00
- RP20LH Flange, Lower Front Fender LH 22.00



RPM8RH



RPM8LH

- RPM8RH Headlamp Bucket Repair Panel RH 149.90
- RPM8LH Headlamp Bucket Repair Panel LH 149.90

Headlight Area Repair Panel has 6" of Material going back along the top of the Fender and wrapping about halfway down the sides of the Headlight Bucket Mounting Ring



RPM8A



13220

- RPM8A Flat Repair Panel for Headlamp Bucket 52.90
- 13220 Retainer, Park Lamp Body 20.95



Repairs Front Fender Apron at Heater Duct

RP11RH

RP11RH Front Fender Apron RH 160.00



RP11LH

RP11LH Front Fender Apron LH 160.00



6557RH

6557RH Fender Bottom RH (55/57)..... 140.00



6557LH

6557LH Fender Bottom LH (55/57) 140.00



655-RRH

655RRH Front Fender Repair Panel Section RH (55)..... 390.00



655-RLH

655RLH Front Fender Repair Panel Section LH (55) 390.00



6567-RRH

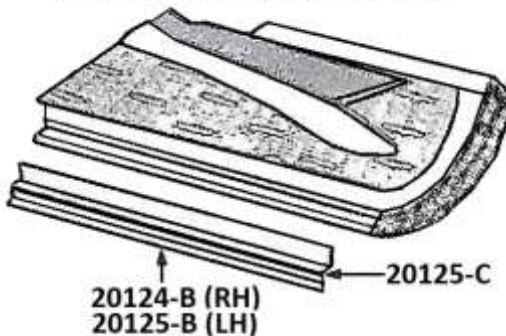
6567RRH Front Fender Repair Panel Section RH (56/57)..... 450.00



6567-RLH

6567RLH Front Fender Repair Panel Section LH (56/57) 450.00

LOWER DOOR REPAIR PANELS



20124-B (RH)
20125-B (LH)



20124-B

20124-B Repair Panel, Door Bottom with 20125-C RH..... 52.00



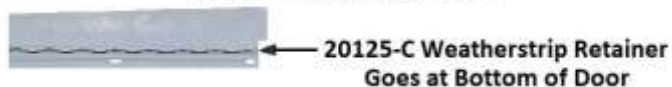
20125-B

20125-B Repair Panel, Door Bottom with 20125-C LH..... 52.00



20125-C

20125-C Exploded View



20125-C Weatherstrip Retainer Goes at Bottom of Door

20125-C Weatherstrip Retainer at Bottom of Door 21.00



5557RH

5557RH Door Skin Lower RH (55/57)..... 325.00



5557LH

5557LH Door Skin Lower LH (55/57)..... 325.00

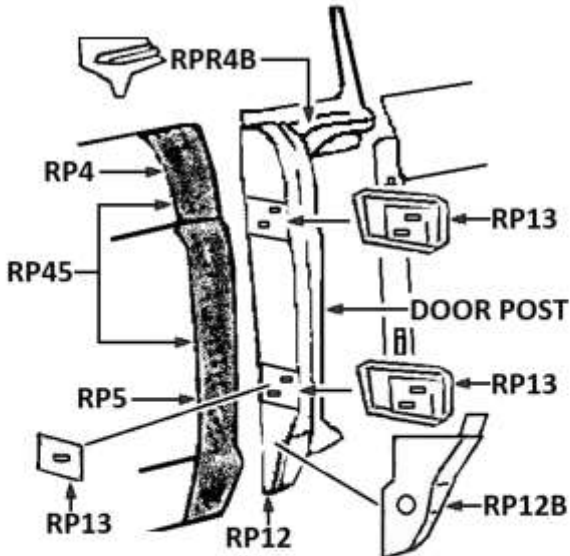
NEW OLD STOCK SHEET METAL



Online Catalog Ordering

CHECK OUT OUR WEBSITE (www.hillsresto.com)
Can't Find what your Looking for give us a Call
866-949-1956

1955/57 Thunderbird Repair Panels



1955 T-Birds used a One Hole Hinge Nut Plate
 1956/1957 T-Birds used a Two Hole Hinge Nut Plate



- RP13A Nut Plate, Hinge Side (Inside Door) 24.00
- RP1355 Nut Plate, Door Hinge, Upper and Lower (55) 30.95
- RP13567B Nut Plate, Door Hinge, Lower (56/57) 36.75



- RP13567RH Nut Plate, Door Hinge, Upper RH (56/57) 36.75
- RP13567LH Nut Plate, Door Hinge, Upper LH (56/57) 36.75



- RP12RH Door Post with 2" Wrap RH 120.00



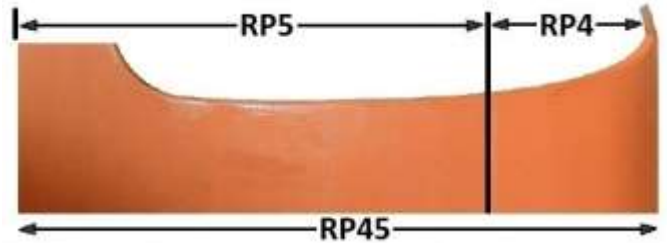
- RP12LH Door Post with 2" Wrap LH 120.00



- RP12BRH Door Post, Lower Repair Panel RH 30.00
- RP12BLH Door Post, Lower Repair Panel LH 30.00
- 352284-S A=1-1/4; B=7/16—Rubber Plug (Correct Style) 2.95
- 352284-S2 Same as Above (Not Correct Style) 2.00



- RP4RH Repair Panel, Front Fender, Upper Rear RH 35.00
- RP4LH Repair Panel, Front Fender, Upper Rear LH 35.00



- RP5RH Repair Panel, Front Fender, Lower Rear RH 48.00
- RP5LH Repair Panel, Front Fender, Lower Rear LH 48.00
- RP45RH Repair Panel, Front Fender, Rear 1-Piece RH 115.00
- RP45LH Repair Panel, Front Fender, Rear 1-Piece LH 115.00



- RPR4BRH Filler Piece top of Door Post RH 99.95
- RPR4BLH Filler Piece top of Door Post LH 99.95



- RP1455 Front Floor Brace (RH-LH, 55) 74.00
- RP14567 Front Floor Brace (RH-LH, 56/57) 72.50



- RP15RH Center Floor Brace RH (55/57) 75.30



- RP15LH Center Floor Brace LH (55/57) 75.30



- RP1655 Rear Floor Brace RH-LH (55) 60.50
- RP16567RH Rear Floor Brace RH (56/57) 64.20



- RP16567LH Rear Floor Brace LH (56/57) 64.20



- RP18RH Firewall Floor RH (55/57) 79.00
- RP18LH Firewall Section Toe Board LH (55/57) 79.00

1955/57 Thunderbird Repair Panels



RP8RH



RP855LH

- RP8RH Front Floor Board RH (55/57)..... 229.00
- RP855LH Front Floor Board LH (55)..... 229.00



RP8567LH



RP1055RH

- RP8567LH Front Floor Board LH (56/57)..... 229.00
- RP1055RH Rear Floor Board RH (55)..... 229.00



RP10567RH

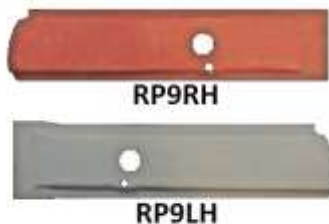


RP1055LH

- RP10567RH Rear Floor Board RH (56/57)..... 229.00
- RP1055LH Rear Floor Board LH (55)..... 229.00



RP10567LH



RP9RH

RP9LH

- RP10567LH Rear Floor Board LH (56/57)..... 229.00
- RP9RH Center Floor Board RH (55/57)..... 99.00
- RP9LH Center Floor Board LH (55/57)..... 99.00



10128-A

- 10128-A Inner Rocker Panel Repair RH (16 Gauge)..... 49.00



10129-A

- 10129-A Inner Rocker Panel Repair LH (16 Gauge)..... 49.00



Outer Rocker Repair Panels with Drain Holes

10128-RP

- 10128-RP Outer Rocker Panel RH (36")..... 76.00



10129-RP

- 10129-RP Outer Rocker Panel LH (36")..... 76.00



10128-B



10129-B

- 10128-B Rocker Panel Front Extension RH..... 26.00
- 10129-B Rocker Panel Front Extension LH..... 26.00



RPF955RH



RPF955LH

- RPF955RH Kick Panel Repair RH (55, 14" W x 23" H)..... 125.00
- RPF955LH Kick Panel Repair LH (55, 14" W x 23" H)..... 125.00



RPF9567RH



RPF9567LH

- RPF9567RH Kick Panel Repair RH (56/57)..... 160.00
- RPF9567LH Kick Panel Repair LH (56/57)..... 160.00



1557RH

- 1557RH Quarter Panel Repair RH (55/57)..... 420.00



RP1957LH

- 1557LH Quarter Panel Repair LH (55/57)..... 420.00

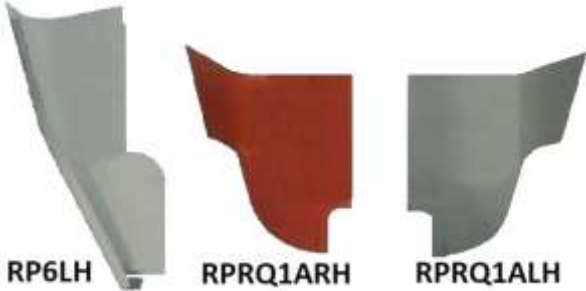
NEW OLD STOCK SHEET METAL
CHECK OUT OUR WEBSITE (www.hillsresto.com)
Can't Find what your Looking for give us a Call
866-949-1956
PRICES SUBJECT TO CHANGE WITHOUT NOTICE

1955/57 Thunderbird Repair Panels



RP1RH RP1LH RP6RH

RP1RH	Dog Leg Repair RH (55/57).....	73.00
RP1LH	Dog Leg Repair LH (55/57).....	73.00
RP6RH	Inner Dog Leg RH (55/57).....	55.00



RP6LH RPRQ1ARH RPRQ1ALH

RP6LH	Inner Dog Leg LH (55/57).....	55.00
RPRQ1ARH	Wheelhouse Repair Lower Front RH (55/57).....	32.50
RPRQ1ALH	Wheelhouse Repair Lower Front LH (55/57).....	32.50



RP2RH

RP2RH	Wheelhouse Top Cap Outer RH (55/57).....	85.00
-------	--	-------



RP2LH

RP2LH	Wheelhouse Top Cap Outer LH (55/57).....	85.00
-------	--	-------



RPRQ3RH

RPRQ3RH	Inner Over Wheel Well RH (55/57).....	155.00
---------	---------------------------------------	--------



RPRQ3LH

RPRQ3LH	Inner Over Wheel Well LH (55/57).....	155.00
---------	---------------------------------------	--------



RP355RH RP355LH

RP355RH	Quarter Panel Bottom Rear RH (55).....	155.00
RP355LH	Quarter Panel Bottom Rear LH (55).....	155.00



RP356RH RP356LH

RP356RH	Quarter Panel Bottom Rear RH (56).....	145.00
RP356LH	Quarter Panel Bottom Rear LH (56).....	145.00



RP357RH

RP357RH	Quarter Panel Bottom Rear RH (57).....	145.00
---------	--	--------



RP357LH

RP357LH	Quarter Panel Bottom Rear LH (57).....	145.00
---------	--	--------



RP755RH RP755LH

RP755RH	Rear Wheelhouse Extension Inner RH (55).....	120.00
RP755LH	Rear Wheelhouse Extension Inner LH (55).....	120.00



RP756RH RP756LH

RP756RH	Rear Wheelhouse Extension Inner RH (56).....	120.00
RP756LH	Rear Wheelhouse Extension Inner LH (56).....	120.00



RP757RH

RP757RH	Rear Wheelhouse Extension Inner RH (57).....	120.00
---------	--	--------

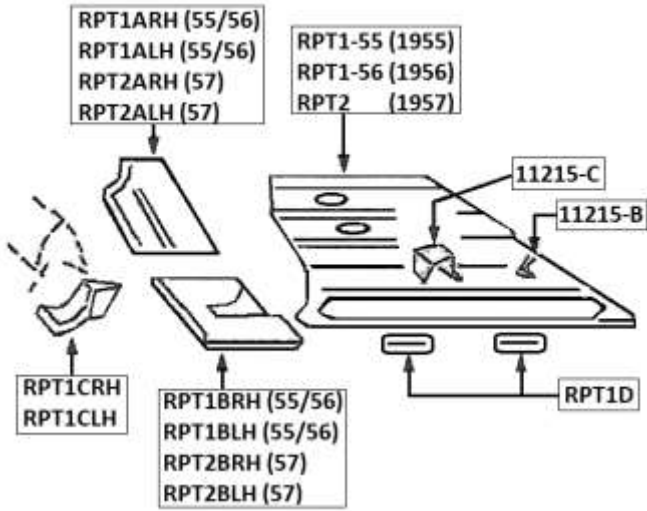


RP757LH

RP757LH	Rear Wheelhouse Extension Inner LH (57).....	120.00
---------	--	--------

1955/57 Thunderbird Repair Panels

1955/1957 THUNDERBIRD TRUNK FLOOR



RPT1-55	Trunk Floor Repair Panel 1955	590.00
RPT1-56	Trunk Floor Repair Panel 1956	590.00
RPT2	Trunk Floor Repair Panel 1957	Call



RPT1ARH

RPT1ARH	Trunk Side Ramp RH (55/56)	130.00
RPT1ALH	Trunk Side Ramp LH (55/56)	130.00



RPT1ALH



RPT1BRH

RPT1BRH	Trunk Corner RH (55/56)	120.00
RPT1BLH	Trunk Corner LH (55/56)	120.00



RPT1BLH



RPT2ARH

RPT2ARH	Trunk Side Ramp RH (57)	120.00
RPT2ALH	Trunk Side Ramp LH (57)	120.00



RPT2ALH



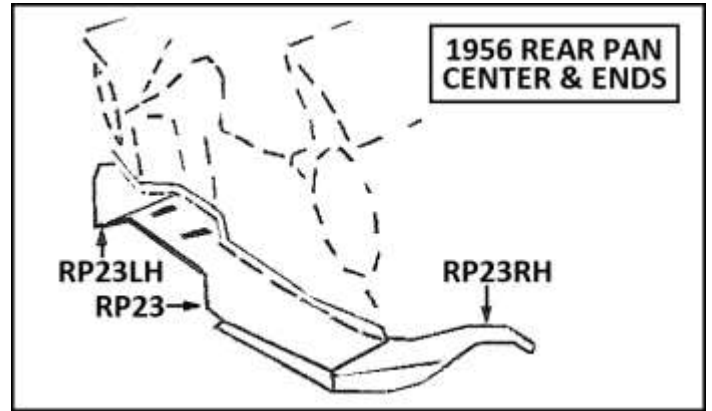
RPT2BRH

RPT2BRH	Trunk Corner RH (57)	145.00
RPT2BLH	Trunk Corner LH (57)	145.00



RPT2BLH

ALL REPAIR PANELS ARE STEEL
REPAIR PANELS ARE 18 GAUGE
INNER ROCKERS 16 GAUGE
RH-PASSENGER SIDE
LH-DRIVERS SIDE



RP23

RP23	Rear Pan Center (Only 56)	270.00
------	---------------------------------	--------



RP23RH

RP23LH

RP23RH	Rear Pan End RH (Only 56)	95.00
RP23LH	Rear Pan End LH (Only 56)	95.00



RPT1CRH

RPT1CRH	Trunk Rear Valance End RH (55/56)	185.00
RPT1CLH	Trunk Rear Valance End LH (55/56)	185.00



RPT1CLH



RPT1D

RPT1D	Trunk Fuel Tank Locator (55/56)	25.00
-------	---------------------------------------	-------



RP1956RH

RP1956RH	Wheelhouse Extension Shelf RH (56)	49.00
RP1956LH	Wheelhouse Extension Shelf LH (56)	49.00



RP1956LH



RP1957RH

RP1957RH	Filler Rear Quarter to Trunk RH (57)	22.00
RP1957LH	Filler Rear Quarter to Trunk LH (57)	22.00



RP1957LH

1955/57 Thunderbird Trunk Floor Braces and Spare Tire Supports

RPFB8
 RPF88 Trunk Floor Brace (57) 165.00



RPFB9
 RPF89 Trunk Floor Brace 9" Long (57) 29.00



Welds to Trunk Floor

RPFB10
 RPF10 Reinforcement Behind Seat 60.00



RP21
 RP21 Under Floor Plate Repair Panel 20.00



RP21S
 RP21S Rear of Floor Pan (Power Seat) 19.00
 11215-S Plate Reinforcement Under Seat Call



RP22RH
 RP22RH Hook Bracket Gas Tank Strap RH (57) 19.00



RP22LH
 RP22LH Hook Bracket Gas Tank Strap LH (57) 19.00



11215-A Brace, Trunk Floor to Rear Panel (55/56) 25.00



11215-B Bracket, Spare Wheel Bolt (55) 9.95



11215-C Support, Spare Wheel (55) 8.90



11215-D Bracket, Jack Strap Retainer (55/56) 3.90



11215-D7
 11215-D7 Bracket, Jack Strap Retainer (57) 3.90



11215-E
 11215-E Bracket, Jack Post (Welds to Wheelhouse) 2.00



11215-G
 11215-G Reinforcement Plate and Studs for Swing Bar Foot
 Mounts under Trunk Floor 29.95



11215F-RH
 11215F-RH Repair Panel Forward RH 41.95



11215F-LH
 11215F-LH Repair Panel Forward LH 41.95

FORWARD TRUNK BODY MOUNT

1955/57 Repaint Body Gasket and Seal Kit

This Kit would be used when you Repaint your Thunderbird
 Kit Consists of Gaskets, Seals and Grommets as you Re-assemble

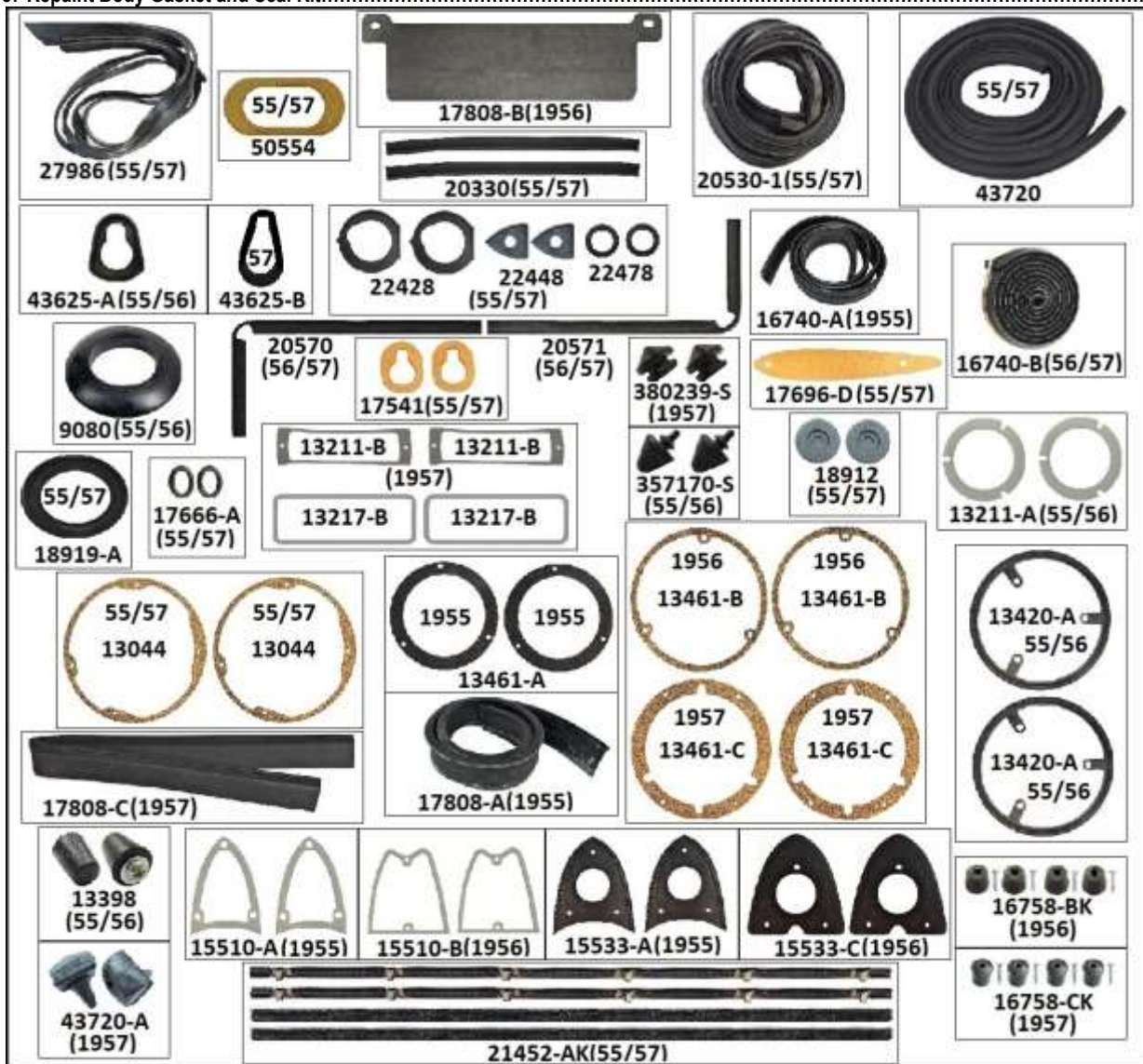
Kit Includes:

- (1)9080 Grommet Gas Filler Neck(55/56) - (2)13044 Gasket Headlamp Bucket(55/57) - (2)13211A Gasket Parklight Lens (55/56)
- (2)13211B Gasket Parklight Lens (57) - (2)13217A Gasket Parklamp Body (55/56) - (2)13217B Gasket Parklamp Body (57)
- (1)13398 Bumper Set Trunk Lid (55/56) - (2)13420A Gasket Taillamp Body (55/56) - (2)13461A Gasket Taillight Lens (55)
- (2)13461B Gasket Taillight Lens (56) - (2)13461C Gasket Taillight Lens (57) - (2)15510A Gasket Backup Light Lens (55)
- (2)15510B Gasket Backup Lens (56) - (2)15533A Gasket Backup Lamp Housing (55) - (2)15533C Gasket Backup Lamp Housing (56)
- (1)16740A Hood Pad (55) - (1)16740B Hood Pad (56/57) - (1)16758-AK Hood Bumper Set (56) - (1)16758-BK Hood Bumper Set (57)
- (2) 17541 Pad Wiper Arm Bezels (55/57) - (1)17666A Seals Wiper Nozzles (55/57) - (1)17696D Gasket Outside Mirror (55/57)
- (1)17808A Deflector Rear Bumper (55) - (2)17808B Deflector Rear Bumper (56) - (1)17808C Deflector Rear Bumper (57)
- (2)18912 Grommet at Door (55/57) - (1)18919A Pad Antenna (55/57) - (2)02158 Seal Side Vent Door (56/57)
- (2)20330 Weatherstrip Door Pillar (55/57) - (1)20530-1 Door Weatherstrip (55/57) - (1)20571 Weatherstrip at Door Belt RH (56/57)
- (1)20571 Weatherstrip at Door Belt LH (56/57) - (1)21452AK Catwhisker Set (55/57) - (2)22428 Door Handle Pad Large (55/57)
- (2)22448 Pad Door Handle Small (55/57) - (2)22478 Seal Outside Door Handle Button (55/57) - (2)27986 Seal Fender Skirts (55/57)
- (1)43625A Pad Trunk Lock Cylinder (55/57) - (1)43625B Pad Trunk Lock Cylinder (57) - (1)43720 Weatherstrip Trunk Lid (55/57)
- (1)43720A Bumper Set Trunk Lidd (57) - (2)50554 Gasket Top Rear Hold Down Plate (55/57) - (1)357170S Bumpers Gas Door (55/56)
- (2)380239S Bumpers Gas Door (57)

02162 and 02166 Side Vent Door Seals Not Included in Repaint Kit

Kit Does Not Include: Hardtop - Softtop Weatherstrip Kit, Windshield Weatherstrip, Back Glass Weatherstrip, 02626 and 02627 Weatherstrip Front Body Pillar at Windshield

RP-55	1955 Repaint Body Gasket and Seal Kit.....	309.95
RP-56	1956 Repaint Body Gasket and Seal Kit.....	319.95
RP-57	1957 Repaint Body Gasket and Seal Kit.....	299.95



1955/1957 Thunderbird Decals



AC556

AC556 Air Cleaner (55/56) 2.10



AC57

AC57 Air Cleaner (57) 1.40



AS557

AS557 Air Scoop, Winter Plate 1.40



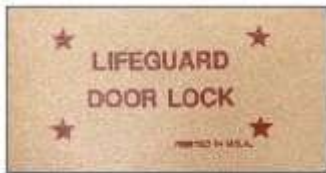
AT556

AT556 Automatic Transmission 1.50



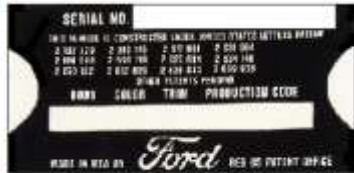
CL567

CL567 Coil Decal (56/57) 2.70



DL56

DL56 Door Latch on Body (56) 3.40



DP557

DP557 Data Plate (55/56 & Early 57) 1.50



DP57L

DP57L Data Plate (Late 57) 1.50



FT557

FT557 Folding Top Info 1.50



GN56

GN56 Generator Decal (56) 2.40



GN57

GN57 Generator Decal (57) 1.50



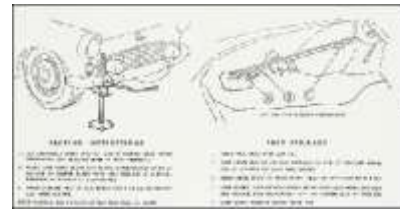
TDF71

TDF71 Decal Set 292 Engine (Steel Rocker Covers) 25.00



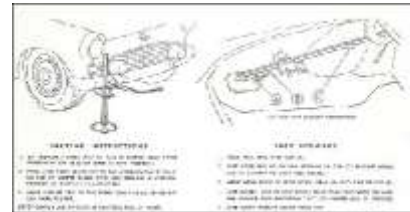
TDF72

TDF72 Decal Set 312 Engine (Steel Rocker Covers) 25.00



JD1

JD1 Jacking Instructions (55/56) 1.50



JD2

JD2 Jacking Instructions (57) 1.50



OF557

OF557 Oil Filter Can Decal 1.50



ST567

ST567 Starter Decal (56/57) 1.50



TP556

TP556 Tire Pressure Decal (55/56) 1.50



TP57

TP57 Tire Pressure Decal (57) 1.50



VR55

VR55 Voltage Regulator (55) 1.50



VR567

VR567 Voltage Regulator (56/57) 1.50



VR57

VR57 Voltage Regulator Yellow (57) 1.50



HD1

HD1 Heater Decal (Peel and Stick) 3.00



TDF93 Lifeguard Decan on Door (57) 2.20



TDF229 Engine Foundry Tag Decal 14.85

1955/1957 Thunderbird Decals

CDS55

AC556
HD1
JD1
AS557
FT557
TP556
VR55
OF557
AT556
DP557
GP1
SP1

CDS55 Complete Decal Set (55)..... 25.00

CDS56L

AC556
HD1
JD1
AS557
FT557
TP556
VR567
OF557
AT556
DP557
TDF93
DL56
CL567
GN56
ST567

CDS56E Complete Decal Set (56 Early)..... 30.00
CDS56L Complete Decal Set (56 Late)..... 30.00

CDS57

AC57
HD1
JD2
AS557
FT557
TP57
OF557
AT556
DP557
TDF93
DL56
CL567
GN56
ST567
DP57
VR567

CDS57 Complete Decal Set (57)..... 25.00

16A Inspection Stamp Set (55)..... 11.50
16B Inspection Stamp Set (56)..... 11.50

16C Inspection Stamp Set (57)..... 11.50
SML Seat Motor Label..... 3.00
K800 Data Plate Rivets 6.00

GP1 Generator ID Plate (55) with Attaching Parts..... 4.50
SP1 Starter ID Plate (55) with Attaching Parts 4.50

DS55 Driveshaft (55)..... 9.95
DS56FS Driveshaft (56) F/M or S/T..... 9.95
DS56OD Driveshaft (56) O/D..... 9.95
DS57FS Driveshaft (57) F/M or S/T..... 9.95
DS57OD Driveshaft (57) O/D..... 9.95

18B Radio Tube Location (56)..... 1.80
18C Radio Tube Location (57, 2-Pcs)..... 3.60

HARDTOP GLIDER



Hardtop Glider Disassembles easily to Fit in the Trunk of your T-Bird



With the Hardtop Glider, you can easily move your Hardtop to and from Storage Foam Handle Grips-Protective Padding

HTGLIDER 185.00

HARDTOP HOIST KIT



Harttop Hoist Kit comes with Instructions Extra wide webbing minimizes pressure on Weatherstrips

HTHOIST 75.00

REAR DECK PROTECTOR



Rear Deck Protector a Heavy Duty cut Vinyl Film made to protect the surface area on the Rear Deck where the Top Weatherstrip makes Contact

RDPC Rear Deck Protector 24.95

TOP LOCK



Secure your Hardtop or Softtop by replacing your hold down pin (50590) with the extended guide pin and Lock Assembly, includes Keys

TLKA 1955 27.55
 TLKB 1956 before 5/1/56 27.55
 TLKC 1956/57 from 5/1/56 27.55

CAR COVERS
 Cotton Flannel Lined



CC001A Car Cover (55/56) without Continental Kit..... 229.00
 CC002A Car Cover (55/56) with Continental Kit..... 229.00
 CC003A Car Cover (57)..... 229.00

MASTER BATTERY SWITCH



Battery Master Switch disconnects all electrical circuits with a simple turn of the knob. Use with 6V or 12V Attaches to Battery in Minutes. Helps eliminates Battery Drain and Fires

10654-BD Battery Disconnect 12.00

FENDER COVER THUNDERBIRD



ACC12 Fender Cover, Thunderbird 37.95

LICENSE PLATE FRAMES



17A385-A 1955 Frame Each 8.95



17A385-B 1956 Frame Each 8.95



17A385-C 1957 Frame Each 8.95

THUNDERBIRD CONSOLE

Padded Upholstered Console serves as an Armrest and has a Storage Compartment with Two Large Drink Holders



TWR55BK	1955/1956 Black.....	349.00
TWR55GN	1955 Green.....	349.00
TWR55RD	1955 Red.....	349.00
TWR56BS	1956 Buckskin.....	349.00
TWR56GN	1956 Green.....	349.00
TWR56PK	1956 Peacock.....	349.00
TWR56RD	1956 Red.....	349.00
TWR57BK	1957 Black.....	349.00
TWR57BU	1957 Dark Blue.....	349.00
TWR57BZ	1957 Bronze.....	349.00
TWR57GN	1957 Dark Green.....	349.00
TWR57RD	1957 Red.....	349.00
TWR57WT	1957 White.....	349.00

T-BIRD CUP HOLDER

This Cup Holder was made to plug directly into the Ash Tray. It holds two regular size Drinks



TPC55BK	1955/1956 Black.....	99.95
TCP55DKGN	1955 Dark Green.....	99.95
TCP55LTGN	1955 Light Green.....	99.95
TCP55RD	1955 Red.....	99.95
TCP55WT	1955/1956 White.....	99.95
TCP55YL	1955 Yellow.....	99.95
TCP56BS	1956 Buckskin.....	99.95
TCP56GN	1956 Green.....	99.95
TCP56PK	1956 Peacock.....	99.95
TCP56RD	1956 Red.....	99.95
TCP57BK	1957 Black.....	99.95
TCP57BZ	1957 Bronze.....	99.95
TCP57DKBU	1957 Dark Blue.....	99.95
TCP57LTBU	1957 Light Blue.....	99.95
TCP57DKGN	1957 Dark Green.....	99.95
TCP57LTGN	1957 Light Green.....	99.95
TCP57RD	1957 Red.....	99.95
TCP57WT	1957 White.....	99.95

COCKPIT COVER

CPC	Cockpit Cover (55/57).....	149.00
------------	-----------------------------------	---------------

SEAT BELTS



61200-BK	Seat Belt Black (55/57).....	59.95
61200-BZ	Seat Belt Bronze (57).....	59.95
61200-DKBU	Seat Belt Dark Blue (57).....	59.95
61200-DKGN	Seat Belt Dark Green (57).....	59.95
61200-LTBU	Seat Belt Light Blue (57).....	59.95
61200-OW	Seat Belt Off-White (57).....	59.95
61200-PK	Seat Belt Peacock (56).....	59.95
61200-RD	Seat Belt Red (55 & 57).....	59.95
61200-WT	Seat Belt White (55/56).....	59.95

Very Nice Replacement Type. Chrome Lift Release Buckle. Includes Hardware for Installation. Price for One Seat Belt

THUNDERBIRD SPECIAL DECAL
20" X 4-3/4"



TSD	Thunderbird Special Decal.....	12.00
-----	--------------------------------	-------



7210-L	Shifter Lock, Automatic.....	35.00
--------	------------------------------	-------

TIRES

Tire Prices Subject to Change without Notice

Diamond Back Radial

1508-DA	P205/75R15, 2-1/2" Whitewall.....	Call
1508-DB	P205/75R14, 2-1/2" Whitewall.....	Call

Firestone Bias Ply

1508-FA	6:70 x 15, 2-11/16" Whitewall.....	Call
1508-FB	7:50 x 14, 2-1/4" Whitewall.....	Call

Goodyear Bias Ply

1508-GA	6:70 x 15, 2-11/16" Whitewall.....	Call
1508-GB	7:50 x 14, 2-1/4" Whitewall.....	Call

Goodyear Radial

1508-GC	P205/75R15, 2-3/4" Whitewall.....	Call
1508-GD	P205/75R14, 2-3/4" Whitewall.....	Call

1955/1957 Thunderbird Accessories

RUBBER FLOOR MATS



Has T-Bird Emblem at Top of Mat and Script Thunderbird

13086-BK	Black 55/57	99.95
13086-RD	Red 55-57	99.95

CARPET FLOOR MATS



Quality Cut Pile Carpet with a Bonded Gripper Backing, Sewed Edge Binding without Thunderbird Logo

TCM55BK	Black 55/57	119.00
TCM55GN	Green 55	119.00
TCM55RD	Red 55	119.00
TCM56BS	Buckskin 56	119.00
TCM56PK	Peacock 56	119.00
TCM56RD	Red 56	119.00
TCM57BU	Blue 57	119.00
TCM57BZ	Bronze 57	119.00
TCM57GN	Green 57	119.00
TCM57RD	Red 57	119.00

TOTE BAGS



TTB55BK	Tote Bag, Black/White, 55/56	59.00
TTB55GN	Tote Bag, Green/White, 55	59.00
TTB55RD	Tote Bag, Red/White, 55	59.00
TTB55YL	Tote Bag, Yellow/Black, 55	59.00
TTB56BS	Tote Bag, Buckskin/White, 56	59.00
TTB56GN	Tote Bag, Green/White, 56	59.00
TTB56PK	Tote Bag, Peacock/White, 56	59.00
TTB56RD	Tote Bag, Red/White, 56	59.00
TTB57BK	Tote Bag, Black/White, 57	59.00
TTB57BU	Tote Bag, Blue/Blue, 57	59.00
TTB57BZ	Tote Bag, Bronze, 57	59.00
TTB57GN	Tote Bag, Green/Green, 57	59.00
TTB57RD	Tote Bag, Red, 57	59.00
TTB57WT	Tote Bag, White, 57	59.00

MID-CARPET BEHIND SEAT



TMC55BK	Mid-Carpets, Behind Seat, Black 55/57	79.00
TMC55GN	Mid-Carpets, Behind Seat, Green 1955	79.00
TMC55RD	Mid-Carpets, Behind Seat, Red 1955	79.00
TMC56GN	Mid-Carpets, Behind Seat, Buckskin 1956	79.00
TMC56PK	Mid-Carpets, Behind Seat, Peacock 1956	79.00
TMC56RD	Mid-Carpets, Behind Seat, Red 1956	79.00
TMC57BU	Mid-Carpets, Behind Seat, Blue 1957	79.00
TMC57BZ	Mid-Carpets, Behind Seat, Bronze 1957	79.00
TMC57GN	Mid-Carpets, Behind Seat, Green 1957	79.00
TMC57RD	Mid-Carpets, Behind Seat, Red 1957	79.00

CARPET TRUNK MAT



TTM55BK	Carpet Trunk Mat, Black 1955	99.00
TTM55GN	Carpet Trunk Mat, Green 1955	99.00
TTM55RD	Carpet Trunk Mat, Red 1955	99.00
TTM56BK	Carpet Trunk Mat, Black 1956	99.00
TTM56BS	Carpet Trunk Mat, Buckskin 1956	99.00
TTM56GN	Carpet Trunk Mat, Green 1956	99.00
TTM56PK	Carpet Trunk Mat, Peacock 1956	99.00
TTM56RD	Carpet Trunk Mat, Red 1956	99.00
TTM57BK	Carpet Trunk Mat, Black 1957	129.00
TTM57BU	Carpet Trunk Mat, Blue 1957	129.00
TTM57BZ	Carpet Trunk Mat, Bronze 1957	129.00
TTM57GN	Carpet Trunk Mat, Green 1957	129.00
TTM57RD	Carpet Trunk Mat, Red 1957	129.00

KEY BLANKS-KEY FOB



K-Key	Dash Knob Key, Looks like Other Dash Knobs	17.50
22053	Key, Blank Ignition Switch and Door	3.00
43562	Key, Blank Glove Box and Trunk	3.00
ACC35TB	Key Fob, Thunderbird	12.95

ZDD ADDITIVE



Add ZDD Oil Additive to Restore Specs to SF Levels. Add entire contents (4-oz) to a 5-Quart Oil Charge

ZDD

ZDD Oil Additive..... 10.85

PAINTS



19000-A



19000-C



10022Z



10036Z

- 19000-A Argent Silver Spray Paint (12oz Can) 17.95
- 19000-B Engine Paint, Ford Red (12oz Can)..... 17.95
- 19000-C High Temperature Natural Cast Iron Color For Exhaust Manifolds (12oz Can)..... 19.95
- 19000-D Gloss Black Enamel (12oz Can)..... 16.95
- 19000-E Cast Iron Gray, Natural Color (12oz Can)..... 17.95
- 19000-F Gray Spray Paint for Natural Metal Look (11oz Can) 17.95
- 19000-H Dark Green for Clips & Fasteners (3.5oz Can) 9.95
- 19000-K Copper Color Small Bottle..... 3.50
- 19000-M Texture for Lower Dash..... 21.95
- 19000-W Black Wrinkle Paint for Heater Case 21.95

EASTWOOD PAINT

- 10022Z Silver Cadmium Plating Look (12oz-Spray)..... 24.99
- 10032Z Spray Gray-Cast Iron Look (12oz Spray)..... 21.99
- 10036Z Detail Gray-Die Cast 7 Stamp Steel Look (12oz-Spray).... 21.99
- 10109Z Aluma Blast (12oz-Spray)..... 21.99
- 10178Z High Temp Coating - Matt Silver (11.75oz-Spray)..... 24.99
- 10196Z Diamond Clear (11oz-Spray)..... 21.99
- 10281Z Zinc Phosphate (12oz-Spray)..... 24.99



19000-G



19000-R



19000-T

- 19000-G Red/Orange for Instrument Needles (3oz Bottle)..... 3.50
- 19000-R Red for Aluminum Valve Covers (3oz Bottle)..... 3.50
- 19000-T Turquoise for Aluminum Valve Covers (3oz Bottle) 3.50



ADHESIVES

- 08001 Yellow Weather Strip Adhesive (5oz Tube) 19.95
- 08008 Black Weather Strip Adhesive (5oz Tube)..... 19.95
- 08088 General Trim Adhesive (18.1oz Spray)..... 49.95

TOOLS



1131-T



1132-T

- 1131-T Front Grease Cap Tool (Installs 1131)..... 18.50
- 1132-T Hubcap Removal Tool..... 10.45



2162-T



3049-T

- 2162-T Master Cylinder Cap Wrench 6.00
- 3049-T Ball Joint Removal Tool 16.00
- 3511-T Steering Collar Column Wrench 49.95
- 3600-T Steering Wheel Puller 31.85
- 6312-T Damper and Pulley Remover..... 55.00
- 6316-T Damper Install Tool..... 59.85
- 6916-T Tool, Overdrive Solenoid Wrench..... 57.95



9B572-T



9890-T

- 9B572-T Carburetor Socket Control Valve Remover..... 12.95
- 9890-T Choke Tube Punch 17.00
- 10853-T Bezel Nut Tool..... 7.95



10911-TA



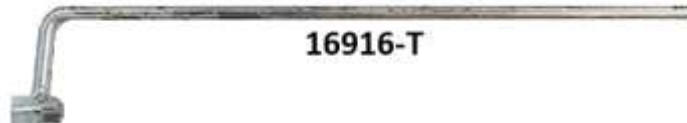
10911-TB

- 10911-TA Temperature Bushing Puller (55/56)..... 21.00
- 10911-TB Temperature Bushing Puller (57)..... 21.00



12120-T

- 12120-T Bushing Removal Tool, Distributor Shaft 29.95



16916-T

- 16916-T Emergency Hood Release Tool 16.95
- 17513-T Wiper Nut Socket 10.95
- 17696-T Outside Mirror Wrench..... 9.99
- 18813-T Antenna Nut Wrench..... 9.95
- 18813-TP Antenna Nut Wrench (Plastic)..... 6.95



21546-T

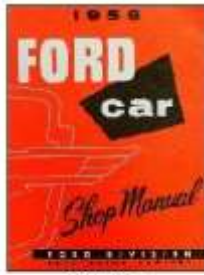


22601-T

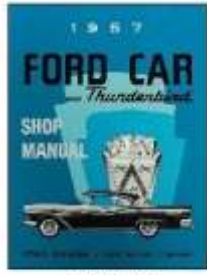
- 21546-T Rivet Tool for (21546) Pillar Channel 20.00
- 22601-T Door and Window Handle Removal Tool..... 9.95



110-2



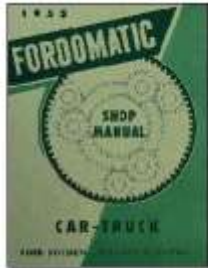
110-3



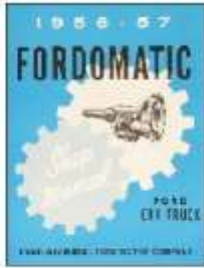
110-4

Reprints of the Original Shop Manuals
Covers Thunderbirds and Passenger Cars

- 110-2 Shop Manual (55)..... 29.95
- 110-3 Shop Manual (56)..... 29.95
- 110-4 Shop Manual (57)..... 29.95



110-5



110-6



110-13

- 110-5 Transmission Manual (55)..... 20.00
- 110-6 Transmission Manual (56/57)..... 14.00
- 110-13 Soft-Top Illustration 5.00



110-18

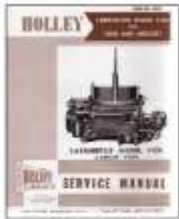


110-19



110-20

- 110-18 Owner's Manual (55)..... 12.00
- 110-19 Owner's Manual (56)..... 12.00
- 110-20 Owner's Manual (57)..... 17.95



110-23



110-29



110-30

- 110-23 Carburetor Manual (57)..... 16.50
 - 110-29 Carburetor Manual (55)..... 16.50
 - 110-30 Carburetor Manual (56 Supplement)..... 16.50
- Use Supplement with (55) Manual



110-25-5

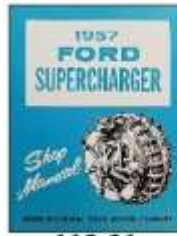


110-25-6



110-26-7

- 110-25-5 Electrical Manual (55)..... 23.85
- 110-25-6 Electrical Manual (56)..... 23.85
- 110-25-7 Electrical Manual (57)..... 23.85



110-21



110-26A



110-26B

- 110-21 Supercharger Manual (57)..... 16.00
- 110-26A Trim and Sealer Manual (55/56)..... 42.00
- 110-26B Trim and Sealer Manual (57)..... 42.00



110-31

- 110-31 Distributor Manual 16.50

**GIFT CERTIFICATES
AVAILABLE AT
HILL'S THUNDERBIRD CENTER**

**PRICES SUBJECT TO
CHANGE WITHOUT NOTICE**

**VISIT OUR WEBSITE
www.hillsresto.com**



110-41-5



110-41-6



110-41-7/7A

- 110-41-5 Electrical Wiring Schematic (55)..... 12.00
- 110-41-6 Electrical Wiring Schematic (56)..... 12.00
- 110-41-7 Electrical Wiring Schematic (57)..... 12.00
- 110-41-7A Electrical Wiring Schematic (57)
With Dial-o-Matic Seats..... 12.00



110-37



110-65

- 110-37 Sales Brochure (55, Multi-Color)..... 12.00
- 110-65 Sales Brochure (55, Multi-Color, 12 Pages)..... 19.00



110-36



110-66

- 110-36 Sales Brochure (56, Multi-Color)..... 12.00
- 110-66 Sales Brochure (56, Multi-Color, 16 Pages)..... 19.00



110-24



110-42

- 110-24 Sales Brochure (57, 4-Color)..... 12.00
- 110-42 Sales Brochure (57 Multi-Color, 16 Pages)..... 19.00

1955/1957 Thunderbird Literature and Restoration Manuals



110-27



110-33



110-35

110-27	Product Service Letters	21.00
110-33	Specification Manual (57)	21.00
110-35	Specification Manual (55/56)	21.00



RSM55

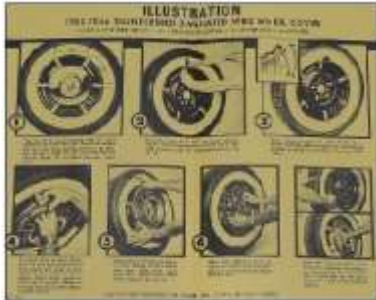


RSM56

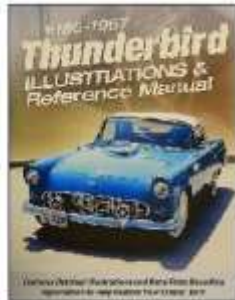


RSM57

RSM55	Radio Manual (55)	5.00
RSM56	Radio Manual (56)	5.00
RSM57	Radio Manual (57)	5.00



TLT2



TLT9

TLT2	Wire Wheel Cover Instructions	4.00
TLT9	Parts Illustrated Manual (128 Pages) Diagraph and Ford Part Numbers	14.00



110-58



110-58A



110-58B

110-58	Restoration Details and Specifications Manual	17.50
110-58A	Addendum-A-1995	17.50
110-58B	Addendum-B-1996	17.50



110-58C



110-58D



110-58E

110-58C	Addendum-C-1999	17.50
110-58D	Addendum-D-2001	17.50
110-58E	Addendum-E-2003	17.50



110-58F



110-58G



110-58H

110-58F	Addendum-F-2005	17.50
110-58G	Addendum-G-2007	17.50
110-58H	Addendum-H-2009	17.50



110-58I



110-58J



USB10041

110-58I	Addendum-I-2011	17.50
110-58J	Addendum-J-2013	17.50
USB10041	1949/1959 Ford Car Parts & Accessories Catalog (USB) ...	20.95



USB10155



USB10156



USB10157

USB10155	1955 Shop Manual on USB Flash Drive	20.95
USB10156	1956 Shop Manual on USB Flash Drive	20.95
USB10157	1957 Shop Manual on USB Flash Drive	20.95

THUNDERBIRD RESTORATION MANUAL



Includes: 110-58
110-58A/110-58B
110-58C/110-58D
110-58E/110-58F
110-58G/110-58H
110-58I/110-58J

110-58FC

110-58FC	Full Set Manual + Addendums Plus (2) 3-Ring Notebooks	185.00
----------	--	--------



2005-E Clip to Hold (2005-B) to (9180) Bracket 1.95
 14450 Clip, Tachometer Cable (56/57, Rubber Coated) 1.35
 14577 Clip, Fuel Line to Frame (Like Original, Green Color) 4.25



352973-S Clip, Fuel Line, Bolts to Frame (1/Car) 1.55
 352999-S Clip, Wiring, Aprons and Firewall-Exact Reproduction 2.90
 353547-S Clip, Temperature Wire to Head (Plain) 1.25



354227-S Clip, Tachometer Cable to Bracket 1955 2.35
 354284-S Clip, Main Wiring at LH Scoop (55) 1.85



354307-S32 Clip, 56 License Wire Call
 354333-S Clip, Wiring-Use at Dash & Trunk-See Electrical Manual.... 3.70
 354362-S Clip, Wiring, Backup Light or Overdrive Wire 3.70
 354372-S Clip, Wiring, LH Rear Bumper Support (56) 1.95



354543-S Clip, O/D Wiring at Firewall 3.20
 356628-S Clip, Wiring, Rubber Coated (13/32 Hole) 2.20



356640-S Clip, Wiring at Starter Solenoid, Not Rubber Coated 1.30
 356687-S Clip, Park Light Wire Air Duct (55/56) Rear Bumper (56).... 1.85
 357331-S Clip, Brake Line to Frame-Original Green Color 2.70



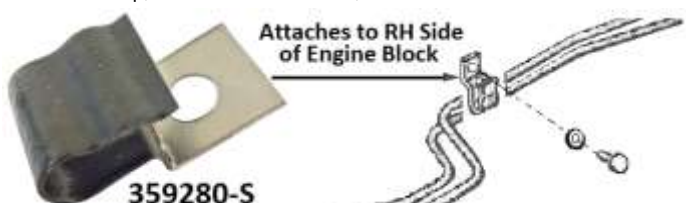
358315-S32 Clip, Holds the Main Wiring Harness To the under dash duct deflector (01820, 55/56) Call
 358459-S32 Clip, Wiring. There were several different styles Call



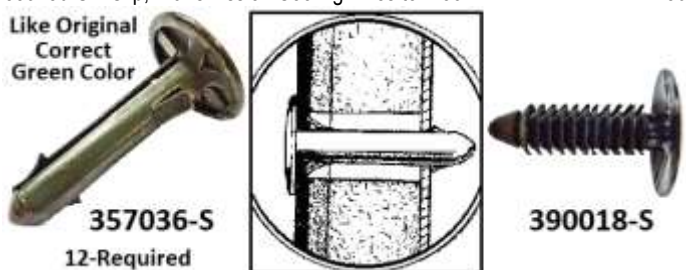
358349-S Clip, Brake Line to Differential 55/56 2.90
 358350-S Clip, Wiring at Fan Shroud—Rubber Coated 2.00



358355-S Clip, Window & Seat Motors, Hood Latch-Rubber Coated.. 2.00



359280-S Clip, Transmission Cooling Lines to Block 7.80



357036-S Fastener, Firewall Pad to Firewall-Original Green Color 3.20
 390018-S Fastener, Firewall Pad to Firewall (Plastic) 2.20



74274-S Clip, Window Regulator Arm 23234-5 0.40
 352358-S Clip, Use at Spare Tire, Park Brake, and Seat Pins 0.90
 353610-S Clip, Distributor Vacuum Control Rod 0.35



357271-S Clip, License Wire to Deck Lid (55) Call
 357550-S Lock Ring Used at Door and Window Crank Handles 0.50



353350-S8 Clip, Overdrive Cable at Transmission 15.00

WIRING CLIP KIT - ENGINE COMPARTMENT 1955
 Kit Includes: (10) 352999-S (1)353547-S
 (1)356640-S (1)358350-S (2)358355-S
 EWCK55 Wiring Clips Kit, Engine Compartment (55) 37.00

WIRING CLIP KIT - ENGINE COMPARTMENT 56/57
 Kit Includes: (1)14450 (10) 352999-S
 (1)353547-S (1)356640-S (1)358350-S (2)358355-S
 EWCK5657 Wiring Clips Kit, Engine Compartment (56/57) 39.00

1955/57 Thunderbird Hardware Section - Fittings, Unions, Adapters & Plugs



87212-S Union, Brake Line on Side of Frame 1.70
 87213-S Union, Fuel Line on Side of Frame..... 4.30
 87479-S Fitting, 3-Way Tee (Dual-4) 8.20



87945-S Adapter, Power Brake Block..... 9.45
 87972-S Brass Tube Connector, Fuel Pump Tube to Fuel Pump and Fuel Filter 2.69
 353400-S Elbow Fitting, Brass, (2078-B) Flex Hose to Brake Booster 5.80



353401-S Elbow Fitting, Brass, Carburetor to Steel Vacuum Line (2005-CE, Dual-4) 8.50
 353706-S Adapter, Power Brake Booster to Brake Line..... 14.20
 354446-S Connector, Brake Front Lines and Stop Light Switch Mounts on Frame 74.70



354447-A Adapter, Brass Block with Manual Brakes (55) Call
 354447-B Adapter, Brass Block with Manual Brakes (56) Call
 354447-C Adapter, Brass Block with Power Brakes (55)..... 35.95



354447-D Adapter, Brass Block with Power Brakes (56)..... 35.95
 354447-E Adapter, Brass Block with Power Brakes (57)..... 35.95
 354447-P Plug for (354447) Blocks without Power Brakes (56)..... 3.95



354447-PA Plug for (354447) Blocks without Power Brakes (55/57)..... 3.00
 357466-S Elbow Fitting, Brass, Fuel Line to Fuel Pump 4.80
 358165-S Connector 57 Carburetor Nut for Vacuum Adv. Line..... 3.15



359279-S Fitting, Transmission Cooling Lines to Radiator..... 3.85
 359279-SA Fitting, Trans. Cooling Lines to Aluminum Radiator 4.80
 359324-S Fitting, Transmission Cooling Lines to Transmission 4.20



122320 Fitting for 2005-L Brake Booster 5.80
 124320 Fitting for 2005-L Brake Booster 2.20



87710-S Plug, Block and 57 Differential (3/8" Pipe) 4.35
 87743-S Plugs, Radiator Cooler (Pair, 1/8" Pipe)..... 2.00
 87837-S Plug, Cylinder Block (1/4" Pipe) 1.25



353055-S Plug, Gas Tank..... 2.85
 358048-S Plug, Differential (55/56)..... 3.95
 358066-S Plug, Hex Head, Water Pump Without P/S or Intake Manifold without Heater 3.95



74125-S Plug, Q/D to Access Snap Ring at Rear Bearing Tail Shaft Housing 3.00
 357875-S Plug, Cylinder Block Oil Level Indicator Tube Hole..... 1.50



87907-S Lubrication Fitting (Straight) 0.60
 87924-S Lubrication Fitting (90 Degree)..... 0.90
 358032-S Lubrication Fitting (67-1/2 Degree) 1.10



372895-S Seat P/S Control Valve and Ram Cylinder..... 6.95
 372896-S Seat P/S Control Valve and Ram Cylinder..... 6.95

	
352284-S	354285-S
352284-S A=1-1/4; B=7/16, Rubber Plug, Floor Pan and Lower Door Pillar (Correct Style).....	2.95
352285-S A=1-13/16; B=7/16, Rubber Plug, Floor Pan For 1 7/16 Hole (Correct Style).....	2.95

	
352284-S2	354285-S2
352284-S A=1-1/4; B=7/16, Rubber Plug, Floor Pan and Lower Door Pillar (Not Correct Style).....	2.00
352285-S A=1-13/16; B=7/16, Rubber Plug, Floor Pan For 1 7/16 Hole (Not Correct Style).....	2.00

		
352962-S	353626-S	354125-S
352962-S Grommet, Tachometer Cable, Wiring Through F/M Shifter Support.....	4.00	
353626-S Grommet, RH Vent Control Cable (Like Original).....	4.00	
354125-S Grommet, Hood Release Cable.....	3.05	


		
359048-S	370207-S	370322-S
359048-S Rubber Grommet, Power Brake Booster.....	15.85	
370207-S Grommet use at Firewall for Wire (18869).....	1.30	
370322-S "O" Ring, Fuel Filler Neck (57).....	2.00	



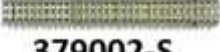
		
377394-S	377949-S	18912
377394-S Grommet, Used in PCV Kit.....	8.00	
377949-S A=7/8; B=23/64, Rubber Plug or Grommet Standard Transmission Shifter.....	5.95	
18912 Grommet, at Door at Door Pillar (55/57).....	Each 3.45	



	
357170-S (Pair)	380239-S (Sold Each)
357170-S Bumper Rubber, Gas Filler Lid (55/56).....	Pair 6.25
380239-S Bumper Rubber, Gas Filler Lid (2-Required) (57).....	Each 2.00
380239-S Bumper Rubber, use one at Defroster Flapper (55/57).....	2.00

	
K800	K900
K800 Kit, Data Plate to Firewall.....	6.00
K900 Kit, Staples, Like Original for Seals And Weather-Strips (Package of 50).....	14.00
K900A Kit, Staples, Same as K900A but (Package of 12).....	3.75

	
14651	14651-S
14651 Grommet, Headlamp and Park Lamp Wiring.....	3.35
14651-S Grommet, Small, Headlamp Wiring (57).....	3.00

	
354242-S (Replacement)	354242-S2 (Original)
354242-S Stud, Radiator Support to Frame.....	3.00
354242-S2 Stud, Radiator Support to Frame.....	Call

		
50514-S	393001-S	379002-S
50514-S Stud, All Thread for (16607) Hood Emblem.....	0.50	
379001-S Stud, Gas Door.....	0.50	
379002-S Stud, Fender Vent Door.....	0.50	

	
379003-S	379004-S
379003-S Stud, Fender Vent Door.....	0.70
379004-S Stud, Rear Clamp Receptacle.....	1.95

	
354575-S	
354575-S Stud, Use with Steel Rocker Arm Covers.....	Each 2.00

	
354576-S	
354576-S Stud, Use with Aluminum Valve Covers.....	Each 3.00

	
88413-S	353409-S
88413-S Stud, Exhaust Manifold Downpipes LH Side.....	Each 3.25
353409-S Stud, Exhaust Manifold Downpipes RH Side.....	Each 4.00

	
88411-S	357428-S
88411-S Stud, Carburetor Mounting in Manifold (55).....	Each 1.00
357428-S Stud, Carburetor Mounting in Manifold (56).....	Each 1.00

	
359697-S	
359697-S Stud, Carburetor Mounting in Manifold (57).....	Each 1.50

	
352736-S	
352736-S Stud, Seat Frame to Floor Pan (4-Required).....	Each 3.75



353624-S Screw, Tail Lamp Lens (55) 1.00
 354690-S Screw, Backup Lens to Lamp Body (55) 1.45
 354746-S Parking Lamp to Fender (Black, 55/56) 0.75



354798-S Screw, Tail Lamp Lens (56) 1.35
 354899-S Screw, Parking Lamp Lens Rear Lamp Lens (57) 1.00
 354973-S Screw, Backup Lens to Body (56) 1.35



31037-S7 Screw, Headlamp Bulb Retaining Ring 1.30
 31061-S8 Screw, Special Used at Different Locations #8- 32 x 1/2" ... 1.50
 31077-S8 Screw, Carb Secondary Throttle Cover 1957 #8-32 x 5/8" 1.50
 31596-S7 Screw, Attaches 9B550-A to Carb #10- 32 x 3/8" 1.50



31497-AS Screw, Hex Head Battery Cable Grommets (56/57) 0.40
 31497-S Screw, Hex Head w/Slot for (56/57) Tach. Cable Clip 0.70
 31498-S Screw, Hex Head Splash Panel to Apron 0.40
 31519-S Screw, Hex Head Brake Line Clip to Axle (55/56) 0.40
 32938-S Screw, Headlamp Bucket to Fender 0.30



33000-S Screw, Wire-On Binding Joint & Ends 0.30
 40921-S Screw, Hex Washer Head for Shifter Housing to Floor 0.35
 42128-S Screw, Air Vent Cable Clip 0.70
 42143-S Screw, Gas Pedal Retaining 0.40



51764-S8 License Plate Lamp Lens Retainer (57) 0.50
 52352-S Screw, Step Plate and Instrument Panel Extension End 30 Finish Plate 0.30
 52355-S Screw, Convertible Top Rear Bow with External Tooth Lock Washer 0.60



52360-S Screw, Molding to Grille, Windshield Garnish Molding Upper, Porthole Garnish Molding 0.70
 52368-S Screw, Door Trim Panel, Windshield Garnish Lower Molding, 0.40
 52369-S Screw, Visor Arm 0.40



52382-S Screw, Inside Mirror to Windshield Header 0.50
 52388-S Screw, Door Window Garnish Molding, Windshield Side Molding 0.60



12230 Screws, Points and Condenser 0.80
 39909-S Bolt, Brake Block and Line Clip to Frame 0.90
 350069-S Screw, Turn Signal Switch to Plate 0.25
 355067-S Screw Distributor Condenser to Breaker Plate (55/56) 0.50



351629-S Drive Nail, Hood Pad to Cowl-Also see K16740, Page 126 0.90
 352802-S Drive Nail, Carpet-Floorboard (18/Car) Each 1.00
 371905-S Clip, Door Panel (Also see Kits-KTDP A & KTDPB) 0.60



34393-S Nut, Locking (5/16" - 24) 0.70
 34394-S Nut, Locking, Seat Frame Stud and Fuel Tank Strap Bolts (3/8" - 16) 1.30
 34395-S Nut, Locking (3/8" - 24) 1.30



33800-S7 Nut, Special, Used at Shocks (Used Original) Call
 34370-S7 Nut, Locking, 3/8" - 24 Call
 34445-S7 Nut, Locking (3/8" - 24, Used Original) Use at (7540) Clutch Pedal Retainer Use at (7525) Clutch Pedal Rod Call



34032-S Nut, Slotted (1/2" - 20, 3/4" Width, 9/16" Thick) 2.00
 34033-S Nut, Slotted, at (3049) Ball Joint (9/16" - 18) 1.50
 34034-S Nut, Slotted, at (3050) Ball Joint (5/8" - 18) 1.75



34399-S8 Nut, Arm and Front Bumper to Frame (57) Call
 34673-S Nut, Exhaust Pipe to Exhaust Manifold (Brass) 2.25
 385002-S Nut, Slotted for Tie-Rod Ends (1/2" - 20) 1.35



74147-S Key, Timing Gear to Camshaft 1.10
 74151-S Key, Flywheel Damper to Crankshaft 1.20
 74175-S Key, Timing Gear to Crankshaft & Generator Pulley 1.10