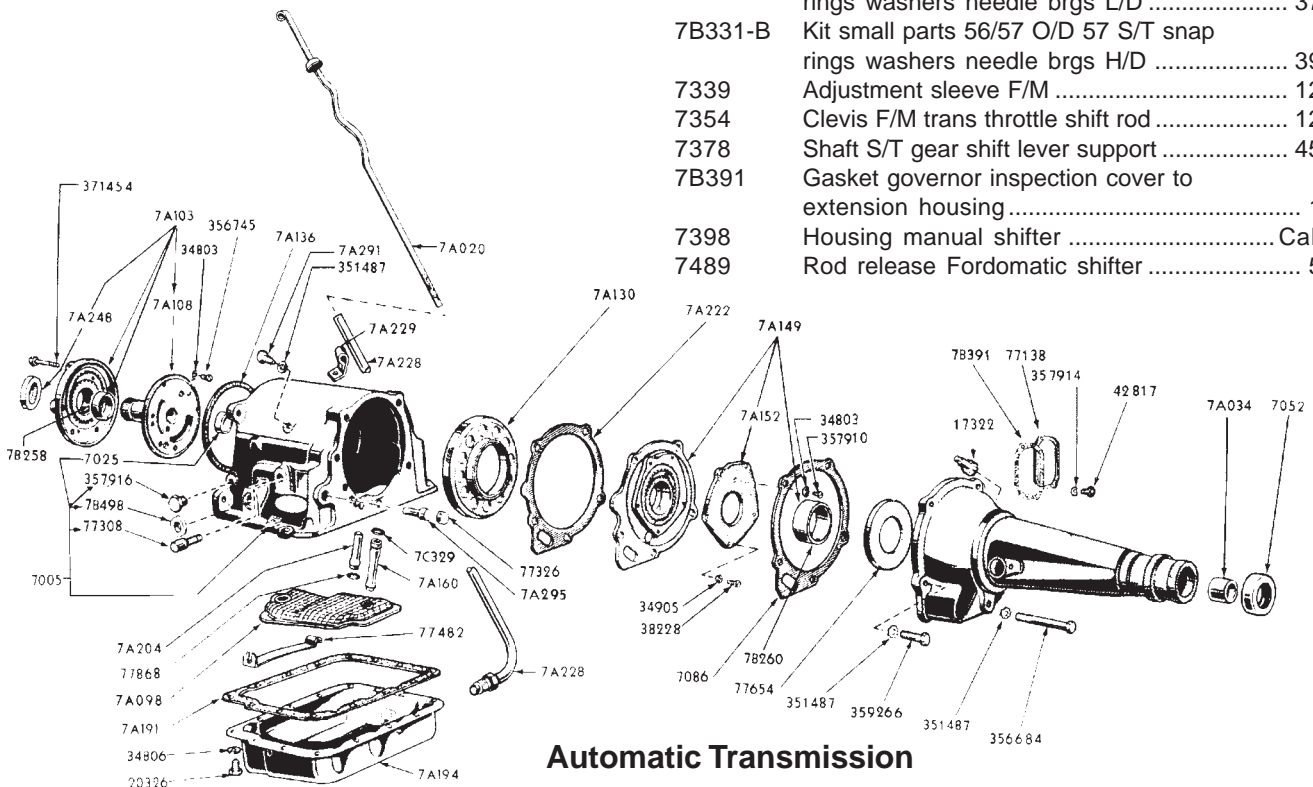


7113-A	Gear countershaft cluster 56/57 O/D 57 STD 29-25-19-15-Teeth B5A-D 250.00	7A194	Transmission pan F/M used Call
7124	Synchronizer Call	7210	Shifter assy S/T or A/T Call
7A133	Bushing & washer kit F/M shift lever 9.35	7213	Ball gear shift laver S/T & O/D 9.95
7A136	Gasket front pump to case F/M 2.50	7213-FM	Ball gear shift lever Fordomatic 26.95
7140	Shaft reverse idler gear Call	7A215	Bracket overdrive cable to dash 9.95
7141	Gear reverse idler Call	7223	Gasket gear shift housing 56/57-312 1.50
7A149-R	Rear pump F/M rebuilt exchange 189.00	7227	Spring gear shift lever 9.95
	Core deposit..... 150.00	7A228	Tube dipstick F/M w/7A229 bracket 22.50
7153-A	Gasket set 56/57 O/D 57 S/T 312 15.90	7A229	Bracket F/M dipstick tube 4.95
7153-B	Gasket set 55/56 STD 57-STD 292 14.85	7230	Shift fork intermediate & high Call
7153-BA	Gasket set 55 W/O/D only 14.95	7231	Shift fork low & reverse Call
7153-C	Gasket set F/M Auto medium case 39.95	7241	Pivot pin F/M shifter 7.95
7A162	Band F/M front re-lined exchange 97.00	7A247	Natural safety switch 84.00
	Core deposit..... 75.00	7A248	Seal F/M front oil pump 6.95
7A176	Band F/M rear re-lined exchange 97.00	7A256	Lever trans selector arm F/M 125.00
	Core Deposit 75.00	7B258	Bushing front pump F/M 7.00
7A185-A	Bellcrank on manifold F/M 55 79.95	7A259	Lever throttle control F/M Call
7A185-B	Bellcrank on manifold S/T 55 79.95	7269	Pawl F/M shifter lever 19.95
7A185-C	Bellcrank on manifold 56 Call	7277	Boot gear shift lever S/T 19.95
7A185-D	Bellcrank on manifold F/M 57 84.00	7A283	Seal S/T input shaft 57 6.95
7A185-EC	Bellcrank center E-bird 79.95	7286	Lever trans 2nd & 3rd S/T 29.95
7A185-ER	Bellcrank rear E-bird 74.95	7288	Seal O/D control & manual shift levers 6.95
7A187-A	Kickdown rod Fordomatic 55 51.45	7288-A	Seal O-ring shift levers 1.00
7A187-B	Kickdown rod Fordomatic 56/57 51.45	7291	Lever trans 1st & reverse S/T 29.95
7A187-CR	Kickdown rod E-bird 55.00	7A295	Pin park brake toggle lever in trans 14.95
7A191	Gasket transmission pan F/M auto 6.95	7302	Lever standard shifter 2/car 41.95
		7324	trans inspection plate used 20.00
		7325	Rod standard & O/D 2nd & 3rd 89.50
		7326	Rod shifter to trans Fordomatic 50.00
		7327	Rod standard & O/D 1st & reverse 95.00
		7B331-A	Kit small parts 55/57 STD 55 o/d snap rings washers needle brgs L/D 37.95
		7B331-B	Kit small parts 56/57 O/D 57 S/T snap rings washers needle brgs H/D 39.95
		7339	Adjustment sleeve F/M 12.95
		7354	Clevis F/M trans throttle shift rod 12.75
		7378	Shaft S/T gear shift lever support 45.00
		7B391	Gasket governor inspection cover to extension housing 1.55
		7398	Housing manual shifter Call
		7489	Rod release Fordomatic shifter 5.00

SEE PART # 7A162 & 7A176 FOR BANDS



Automatic Transmission

Office & Information (740) 949-2217 • International Orders (740) 949-2217
 Orders Only (800) 562-1955 OR (866) 949-1956 • Fax Orders (866) 949-1957 • Fax (740) 949-1957