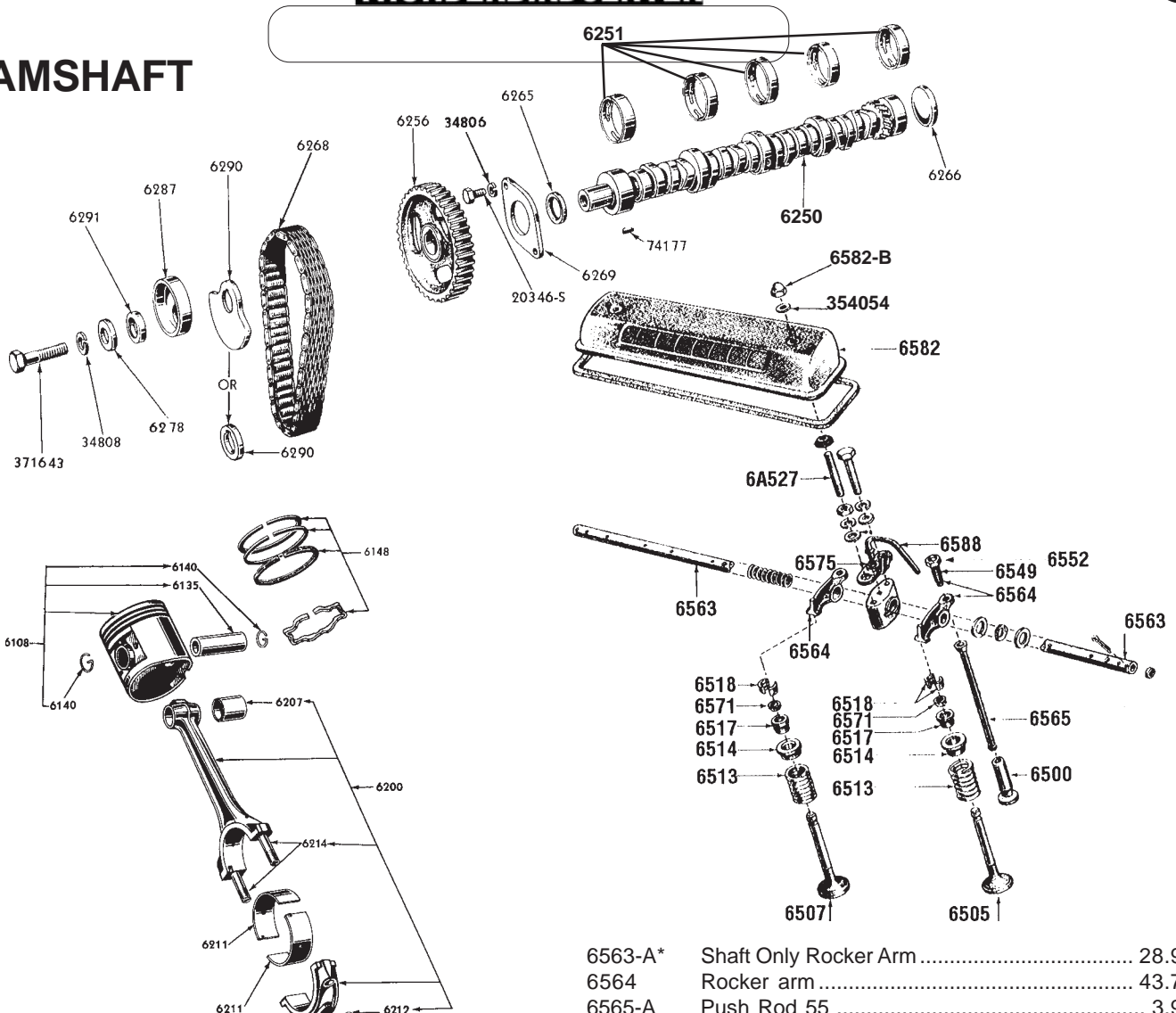
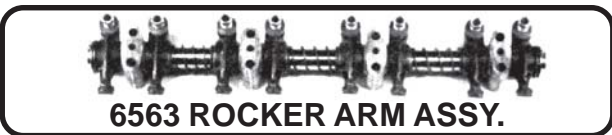


CAMSHAFT



- 6514 Retainer - valve spring except D-4 & s/c 1.70
- 6515 Spacer Valve Spring 1.00
- 6517 Retainer sleeve - valve spring 1.25
- 6518 Valve keeper (2) halves 0.65
- 6519 Valley pan - "used original" Call
- 6519-E Valley pan - Flat "E" bird Replacment 109.95
- 6521 Valley pan gasket 9.20
- 6A527-A Stud for aluminum valve cover 1.80
- 6A527-B Stud for steel valve cover 1.85
- 6531* Rocker arm support Call
- 6549 Screw rocker arm adjusting use w/6552 4.35
- 6549-A Screw rocker arm adjusting B6A6549C 6.85
- 6552 Lock Nut Valve Rocker Arm 1.65
- 6563* Rocker arm assy. new each 269.45

- 6563-A* Shaft Only Rocker Arm 28.95
- 6564 Rocker arm 43.75
- 6565-A Push Rod 55 3.95
- 6565-B Push rods,8.158 312 Dual 4 SC 4.95
- 6565-C Push rod 312 dual 4 & s/c Call
- 6570-A Grommet, rubber for aluminum valve covers95
- 6570-B Grommet, rubber w/steel for valve covers 2.35
- 6570-C Grommet for P/S reservoir cover 0.90
- 6571 Seal , valve stem each 1.65
- 6572 Plug Rocker Arm Shaft 7.50
- 6575 Bracket, rocker arm oil tube 2.50
- 6575-A* Drip trough used originals 7.50
- 6582 Valve covers steel originals Call
- 6582-A Aluminum valve cover (original) Call
- 6582-AR Aluminum valve cover (reproduction) 199.95



6563 ROCKER ARM ASSY.



Office & Information (740) 949-2217 • International Orders (740) 949-2217
 Orders Only (800) 562-1955 OR (866) 949-1956 • Fax Orders (866) 949-1957 • Fax (740) 949-1957