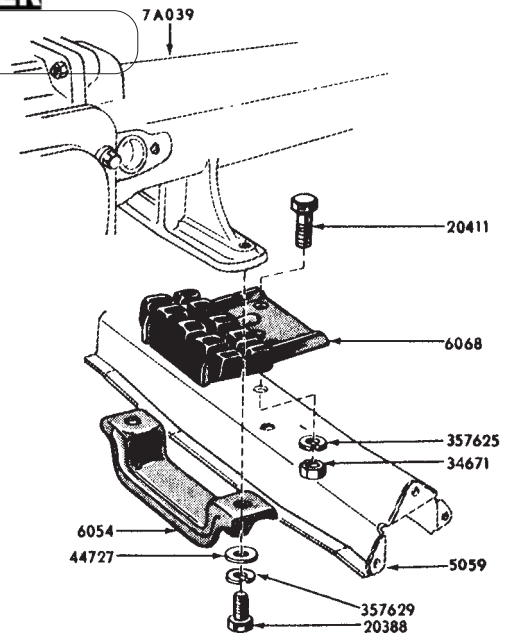
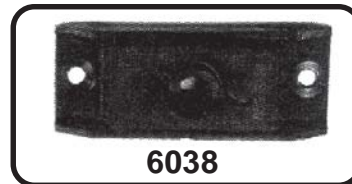


### FRONT ENGINE SUPPORT



### REAR TRANSMISSION MOUNT

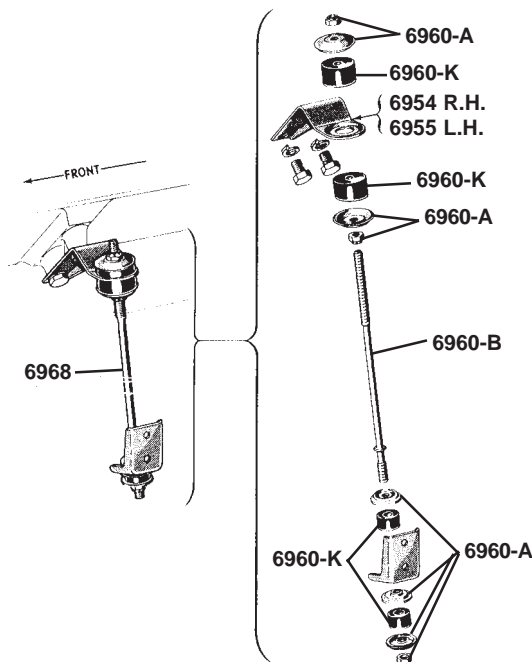
- 6028\* Bracket, engine front support ..... Call
- 6038 Insulator engine front mount ..... 26.95



- K-207 Front engine support insulator to front engine bracket (11) pcs. .... 3.75
- 6039 Insulator, engine support lower ..... 6.00
- 6041 Nut, engine front support insulator bolt ..... 7.00
- 6049 Cylinder head used ..... Call
- 6051 Head gasket ..... 24.70



- 6052\* Plug Cylinder Head ..... 4.00
- 6054 Bracket, rear engine mount ..... 24.95
- 6065-A\* Bolt Cyl Head B2AZ-A ..... Call
- 6065-B\* Bolt cyl Head B6A-A ..... Call
- 6065-C\* Bolt Cyl Head B6AZ-A ..... Call
- 6068-A 55-56 Rear transmission mount ..... 14.95
- 6068-B 57 Rear transmission mount ..... 14.95
- 6079 Gasket set, valve grind ..... 119.95
- 6108 Piston 292/312 ..... Call
- 6148 Piston rings 292/312 ..... Call
- 6207 Bushing, connecting rod ..... Call
- 6200 Connecting Rod ..... Call
- 6211 Connecting Rod bearings ..... Call
- 6212\* Nut Connecting Rod ..... 3.25



### ENGINE STEADY RESTS

- 6008-K Complete engine gasket kit ..... 154.90
- 6A008\* Dowel cylinder head alignment ..... 3.75
- 6019\* Timing chain cover ..... Call
- 6020 Timing cover gasket only ..... 8.95
- 6020-K Timing cover gasket set ..... 18.45
- 6023 Pointer engine timing ..... 13.60
- 6026-A Freeze plug kit engine ..... 7.95
- 6026-B Same as above brass ..... 9.95
- 6A027 Spacer, front engine support ..... 3.00

Office & Information (740) 949-2217 • International Orders (740) 949-2217

Orders Only (800) 562-1955 OR (866) 949-1956 • Fax Orders (866) 949-1957 • Fax (740) 949-1957