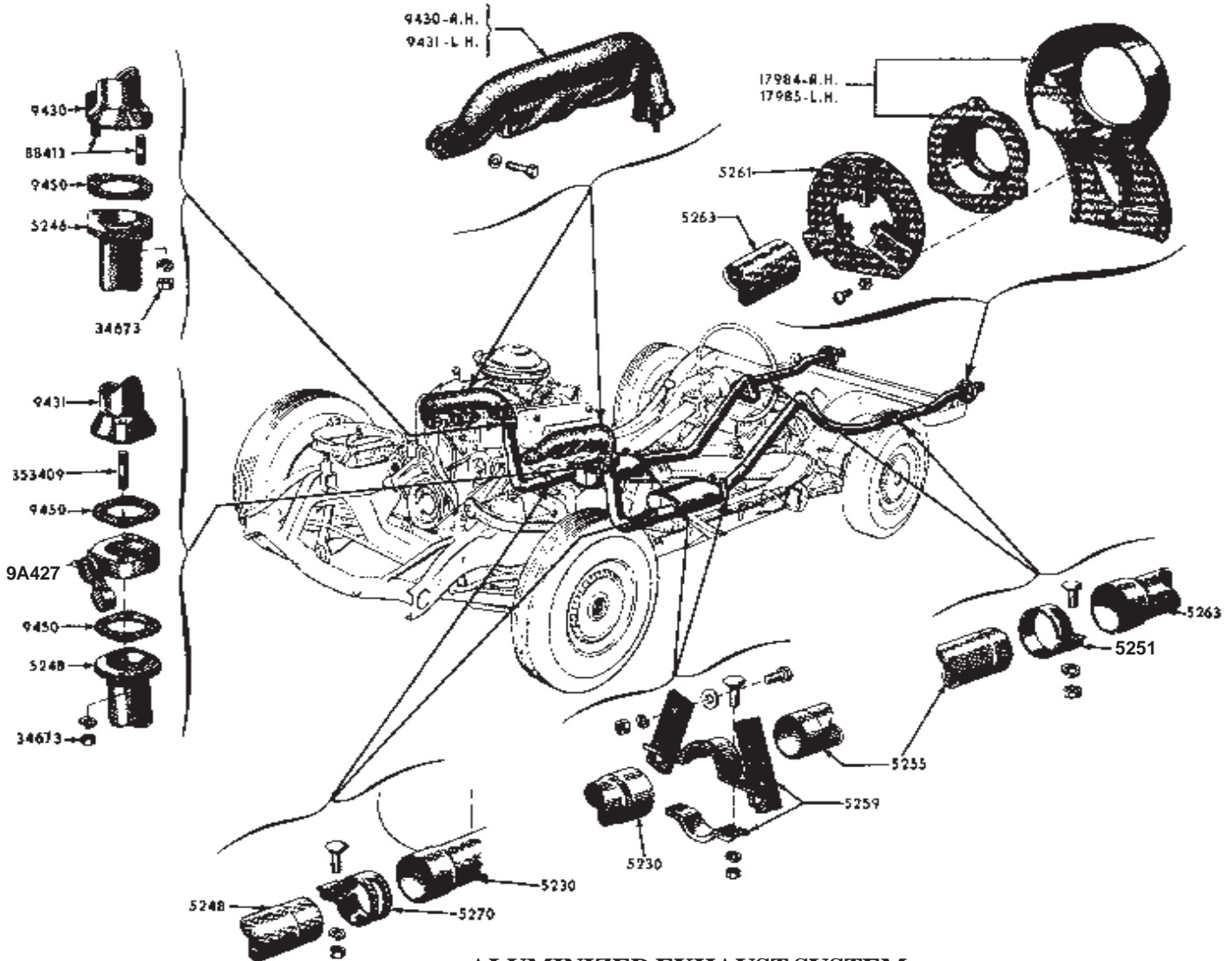


1955 EXHAUST



ALUMINIZED EXHAUST SYSTEM

5230-A	Muffler	54.45	9431	Exhaust manifold LH 55/57	250.00
5230-HS	Heat shield for muffler pair	66.95	9A435	Spacer to replace 9A427	19.95
5246-A	Pipe Muffler inlet RH.....	31.00	9450	Gasket exhaust inlet pipe	2.00
5248-A	Pipe muffler inlet LH.....	31.00	*K-161-A	Rear exhaust hangers to bumperettes	1.60
5251-A	Clamp intermediate	5.25	*K-203	Inlet pipe to manifolds w/brass nuts	9.95
5255-AL	Pipe muffler Outlet LH	25.50			
5255-AR	Pipe muffler Outlet RH	25.50			
5255-ARM	Exhaust set w/rear mufflers	340.00			
5256-AK	Hanger kit	84.00			
5256-KA	Exhaust kit	252.90			
5259-A	Hanger front muffler outlet	12.95			
5261-A	Bracket Exhaust rear	12.00			
5263-A	Tailpipe rear 55 RH & LH	19.50			
5270	Clamp muffler inlet pipe.....	5.65			
9A427	Valve exhaust heat riser	79.95			
9430	Exhaust Manifold RH 55/57	250.00			

*****Call for pricing & info on Stainless steel exhaust system & exhaust w/resonators**



5256-AK